



# MIL-DTL-28840/1 Straight Non-Self-Locking Strain Relief

## CONNECTOR DESIGNATOR:

**G** MIL-DTL-28840

Basic  
Part Number

Designator

**M28840/1**

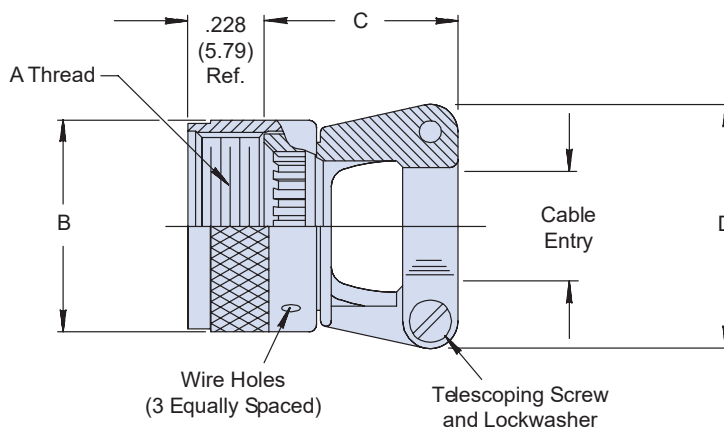
**J**

**W**

### Material and Finish

**D** = Corrosion Resistant Steel,  
Cadmium Plate, Black

**W** = Aluminum, Cadmium Olive Drab



**TABLE I: Shell Size, Cable Entry and Backshell Dimensions**

| Designator | Shell Size Ref. | A Thread Class 2B | B Max        | C Max        | D Max        | Cable Entry |              |             |              |             |              |
|------------|-----------------|-------------------|--------------|--------------|--------------|-------------|--------------|-------------|--------------|-------------|--------------|
|            |                 |                   |              |              |              | Closed      |              | Open        |              |             |              |
| A          | 11              | .750 - 20 UNEF    | 1.028 (26.1) | 1.091 (27.7) | .903 (22.9)  | .177 (4.5)  | .286 (7.3)   | .177 (4.5)  | .286 (7.3)   | .177 (4.5)  | .286 (7.3)   |
| B          | 13              | .875 - 20 UNEF    | 1.141 (29.0) | 1.091 (27.7) | .977 (24.8)  | .177 (4.5)  | .286 (7.3)   | .177 (4.5)  | .286 (7.3)   | .177 (4.5)  | .286 (7.3)   |
| C          | 15              | 1.000 - 20 UNEF   | 1.263 (32.1) | 1.091 (27.7) | 1.151 (29.2) | .250 (6.4)  | .416 (10.6)  | .250 (6.4)  | .416 (10.6)  | .250 (6.4)  | .416 (10.6)  |
| D          | 17              | 1.125 - 18 UNEF   | 1.387 (35.2) | 1.206 (30.6) | 1.281 (32.5) | .291 (7.4)  | .476 (12.1)  | .291 (7.4)  | .476 (12.1)  | .291 (7.4)  | .476 (12.1)  |
| E          | 19              | 1.250 - 18 UNEF   | 1.513 (38.4) | 1.320 (33.5) | 1.406 (35.7) | .348 (8.8)  | .626 (15.9)  | .348 (8.8)  | .626 (15.9)  | .348 (8.8)  | .626 (15.9)  |
| F          | 23              | 1.438 - 18 UNEF   | 1.703 (43.3) | 1.445 (36.7) | 1.576 (40.0) | .429 (10.9) | .831 (21.1)  | .429 (10.9) | .831 (21.1)  | .429 (10.9) | .831 (21.1)  |
| G          | 25              | 1.562 - 18 UNEF   | 1.825 (46.4) | 1.570 (39.9) | 1.666 (42.3) | .523 (13.3) | .956 (24.3)  | .523 (13.3) | .956 (24.3)  | .523 (13.3) | .956 (24.3)  |
| H          | 29              | 1.875 - 16 UN     | 2.143 (54.4) | 1.721 (43.7) | 2.046 (52.0) | .643 (16.3) | 1.081 (27.5) | .643 (16.3) | 1.081 (27.5) | .643 (16.3) | 1.081 (27.5) |
| J          | 33              | 2.062 - 16 UNS    | 2.329 (59.2) | 1.908 (48.5) | 2.209 (56.1) | .704 (17.9) | 1.187 (30.1) | .704 (17.9) | 1.187 (30.1) | .704 (17.9) | 1.187 (30.1) |

## APPLICATION NOTES

1. Assembly to be identified with manufacturer's name and part number, space permitting.
2. Cable Entry is defined as the accommodation entry for the wire bundle or cable. Dimensions are not intended for inspection criteria.
3. For complete dimensions, see the applicable Military Specification.
4. Metric dimensions (mm) are in parentheses.

Dimensions in inches (millimeters) and are subject to change without notice.