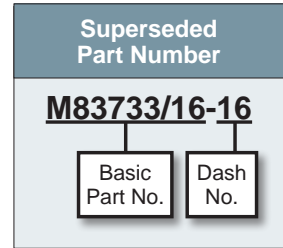
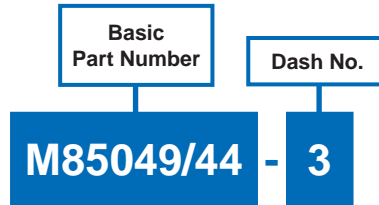


# AS85049/44 and M83733/16 Straight Non-Self-Locking Strain Relief

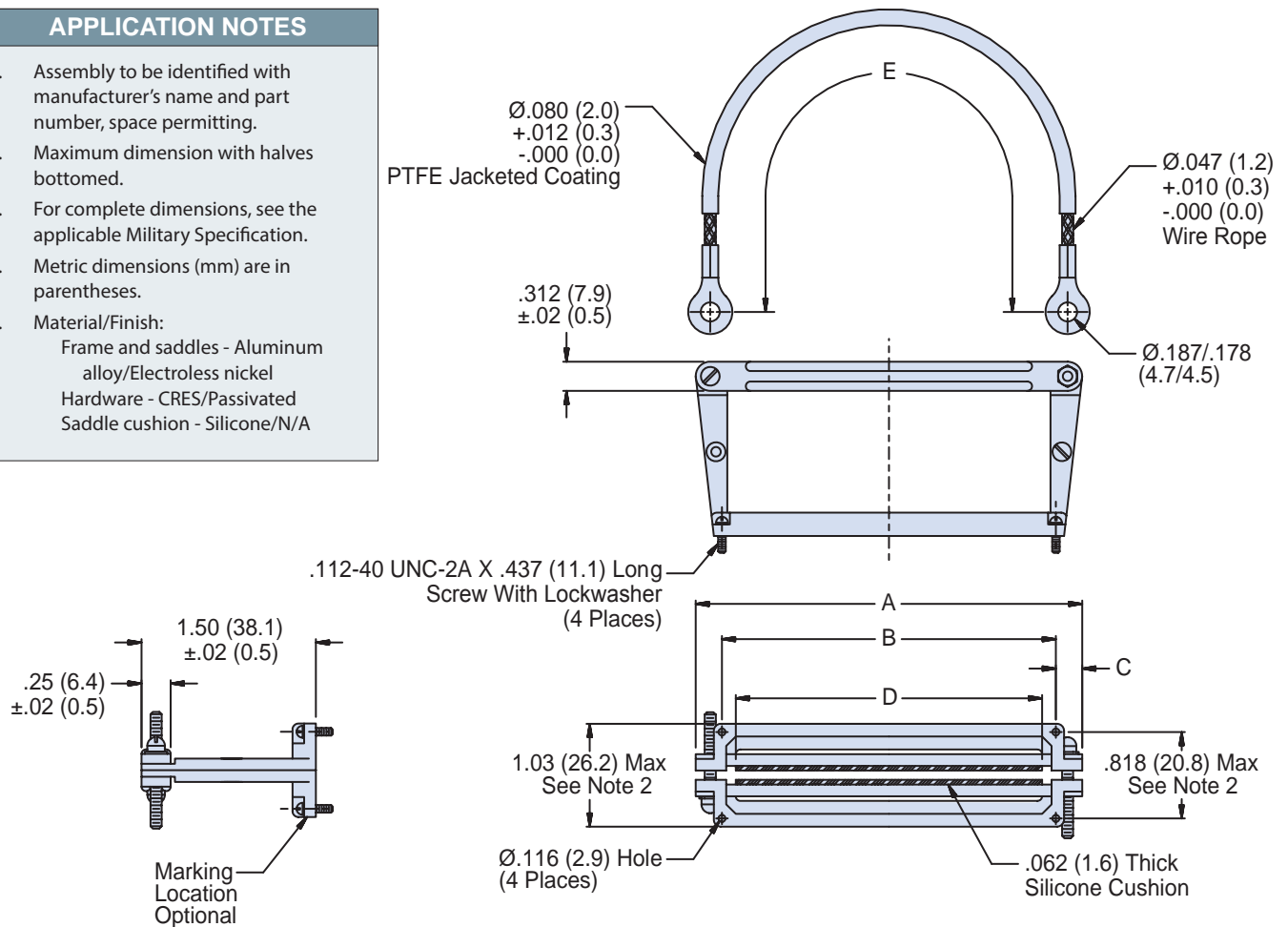


AS85049



**B**

- ### APPLICATION NOTES
1. Assembly to be identified with manufacturer's name and part number, space permitting.
  2. Maximum dimension with halves bottomed.
  3. For complete dimensions, see the applicable Military Specification.
  4. Metric dimensions (mm) are in parentheses.
  5. Material/Finish:  
 Frame and saddles - Aluminum alloy/Electroless nickel  
 Hardware - CRES/Passivated  
 Saddle cushion - Silicone/N/A



**TABLE I: Dash Number, Shell Size and Dimensions**

Dash No.	Shell Size	A Dim ± .062 (1.6)	B Dim ± .005 (0.1)	C Dim ± .032 (0.8)	D Dim ± .062 (1.6)	E Dim ± .062 (1.6)	Lanyard
1	A	2.437 (61.9)	1.895 (48.1)	.271 (6.9)	1.70 (43.2)	N/A	Without
2	B	3.750 (95.3)	3.195 (81.2)	.277 (7.0)	3.00 (76.2)	N/A	
3	A	2.437 (61.9)	1.895 (48.1)	.271 (6.9)	1.70 (43.2)	10.375 (263.5)	With
4	B	3.750 (95.3)	3.195 (81.2)	.277 (7.0)	3.00 (76.2)	10.375 (263.5)	

Dimensions in inches (millimeters) and are subject to change without notice.

© 2013 Glenair, Inc.

U.S. CAGE Code 06324

Printed in U.S.A.