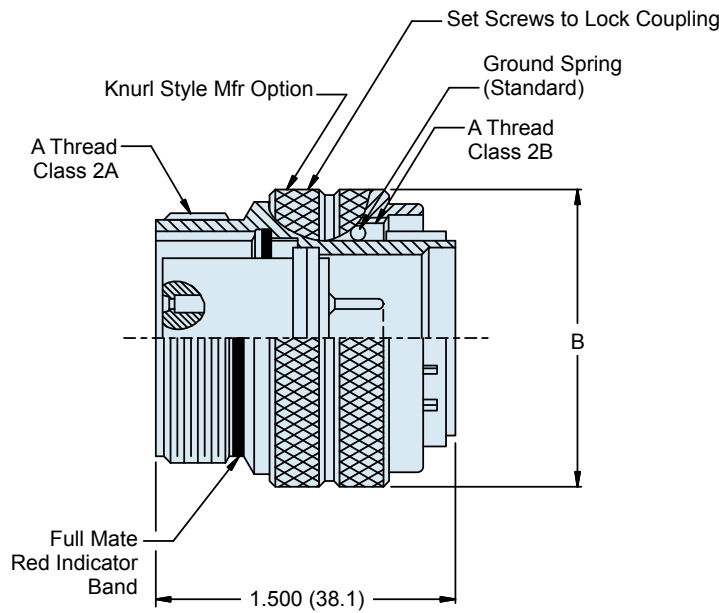


TABLE I: CONNECTOR DIMENSIONS

SHELL SIZE	SHELL SIZE CODE	A THREAD 0.1P-0.3L-TS-2	B DIA MAX
09	A	.6250	.859
11	B	.7500	.969
13	C	.8750	1.141
15	D	1.0000	1.266
17	E	1.1875	1.391
19	F	1.2500	1.500
21	G	1.3750	1.625
23	H	1.5000	1.750
25	J	1.6250	1.875



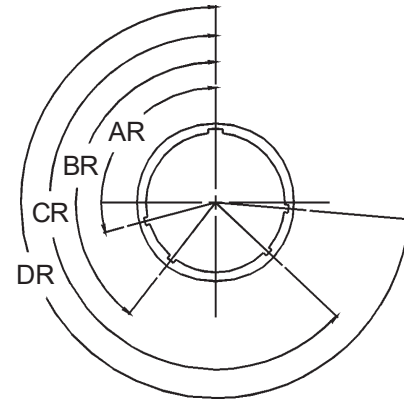
APPLICATION NOTES

- | | |
|---|--|
| <ol style="list-style-type: none"> 1. Assembly features straight-thru double ended socket contacts. Power to a given contact on one end will result in power to contact directly opposite regardless of identification. 2. Metric dimensions (mm) are indicated in parentheses. 3. Material/finish:
Barrel/shell, coupling nut, lock ring—Al alloy | <ul style="list-style-type: none"> Contacts, grounding ring—Copper Al alloy/gold plate Detent spring—Corrosion resistant material Retaining device—CRES/passivate O-ring, interfacial & peripheral seals—Fluorosilicone/N.A. Insulators—High grade rigid dielectric/ N.A. |
|---|--|

942-005
Sav-Con® Connector Saver
Plug/Receptacle
 for Use with MIL-DTL-38999 Series III



TABLE II: SHELL FINISHES		
Plating Code	Material	Finish
M	Aluminum	Electroless Nickel
NF	Aluminum	Cadmium Plate Olive Drab over Electroless Nickel
NC	Aluminum	Zinc-Cobalt
ZN	Aluminum	Olive Drab Zinc-Nickel
MT	Aluminum	Ni-PTFE 1000 Hour Grey™ (Nickel Fluorocarbon Polymer)



FACE VIEW
 RECEPTACLE

SERIES III: ALTERNATE KEYWAY POSITIONS						
Shell Size Code	Shell Size Ref	Alternate Keyway Code	AR°	BR°	CR°	DR°
A	09	N	105	140	215	265
		A	102	132	248	320
		B	80	118	230	312
		C	35	140	205	275
		D	64	155	234	304
		E	91	131	197	240
B C D	11 13 15	N	95	141	208	236
		A	113	156	182	292
		B	90	145	195	252
		C	53	156	220	255
		D	119	146	176	298
		E	51	141	184	242
E F	17 19	N	80	142	196	293
		A	135	170	200	310
		B	49	169	200	244
		C	66	140	200	257
		D	62	145	180	280
		E	79	153	197	272
G H J	21 23 25	N	80	142	196	293
		A	135	170	200	310
		B	49	169	200	244
		C	66	140	200	257
		D	62	145	180	280
		E	79	153	197	272