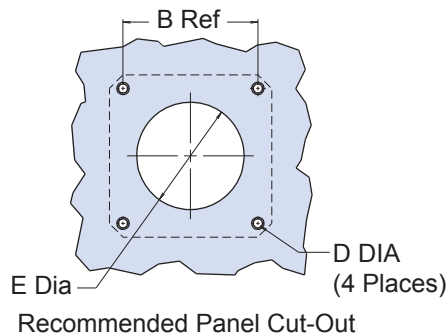
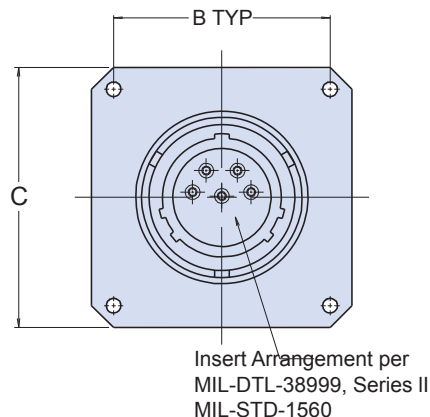
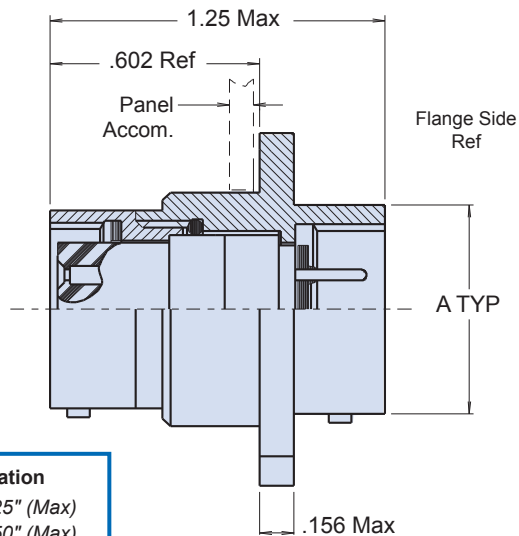
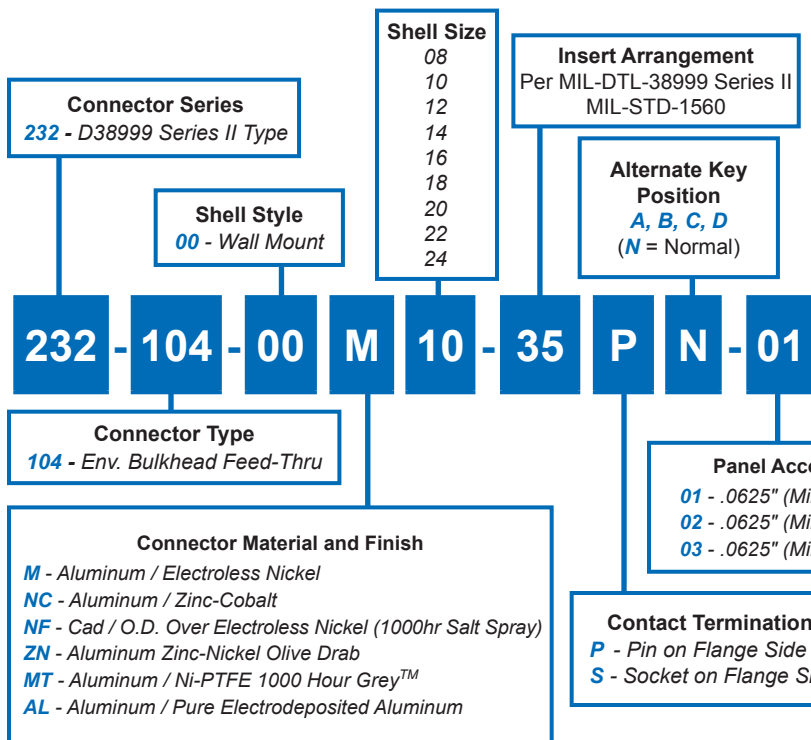




# 232-104-00 Wall Mount Environmental Bulkhead Feed-Thru MIL-DTL-38999 Series II Type



**TABLE I: CONNECTOR DIMENSIONS**

| SHELL SIZE | A MAX       | B SQ        | C SQ        | D DIA     | E ±.005(0.1) |
|------------|-------------|-------------|-------------|-----------|--------------|
| 08         | .474(12.0)  | .594(15.1)  | .818(20.8)  | .125(3.2) | .580(14.7)   |
| 10         | .591(15.0)  | .719(18.3)  | .944(24.0)  | .125(3.2) | .697(17.7)   |
| 12         | .751(19.1)  | .812(20.6)  | 1.037(26.3) | .125(3.2) | .885(22.5)   |
| 14         | .876(22.3)  | .906(23.0)  | 1.131(28.7) | .125(3.2) | 1.010(25.7)  |
| 16         | 1.001(25.4) | .969(24.6)  | 1.224(31.1) | .125(3.2) | 1.135(28.8)  |
| 18         | 1.126(28.6) | 1.062(27.0) | 1.318(33.5) | .125(3.2) | 1.260(32.0)  |
| 20         | 1.251(31.8) | 1.156(29.4) | 1.443(36.7) | .125(3.2) | 1.385(35.2)  |
| 22         | 1.376(35.0) | 1.250(31.8) | 1.568(39.8) | .125(3.2) | 1.510(38.4)  |
| 24         | 1.501(38.1) | 1.375(34.9) | 1.693(43.0) | .156(4.0) | 1.635(41.5)  |

**APPLICATION NOTES**

- Material/Finish:  
Shells and nuts – Al alloy,6061-T6,QQ-A-225/8, see Table II  
Contacts – Leaded nickel copper - gold plate MIL-G-45204, Type II, Class I.  
Bayonet pins – AISI 300 series stainless steel/passivate, QQ-P-35  
Hoods – AISI 305 series stainless steel/passivate, QQ-P -35.  
Inserts –High grade rigid dielectric/N.A.  
Seals – Silicone/ N.A.
- Metric Dimensions (mm) are indicated in parentheses.