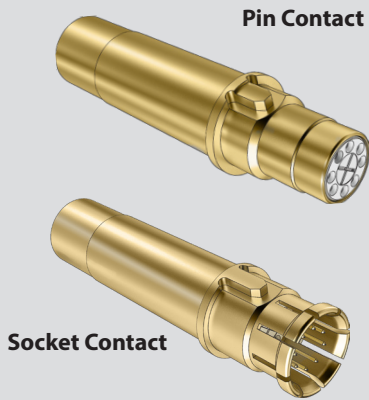


ENVIRONMENTAL, MICRO MINIATURE CIRCULAR
Series 806
Mil-Aero Connectors
El Ochito Contacts



El Ochito®

- Crimp termination
- Snap-in, rear release
- Aerospace-grade performance

The Octaxial Contact for 40Gb Ethernet, SuperSpeed USB and Multi-Gigabit Data Rates

El Ochito® contacts are intended for harsh environment military and aerospace data networks. These contacts have eight signal pins housed in a machined, gold plated outer contact. Crimp termination. Three versions – 40G Ethernet (“White”), SuperSpeed USB (“Blue”) and 100 ohm multi-gigabit (“Red”). El Ochito® contacts snap into Series 806 connectors. Supplied as unassembled kit with outer body, (8) inner contacts, shield crimp ferrule, insulators, and instruction sheet.

Size #8 El Ochito® Contacts for Series 806 Connectors

Cable Type	AWG	Cable Accommodated	Grommet Follower/ Boot	Cable Dia.	Pin Contact	Socket Contact	Assembly Instructions
10G and 40G Ethernet Protocol - El Ochito White - Type I and II							
Cat 6A S/UTP	26	963-003-26 (Glenair) E6A3826 (PIC)	687-754-8-8	.220 (5.56)	858-045-01F [Type I]	858-046-01F [Type I]	AI85151-01
Cat 6A S/FTP	26	963-033-26 (Glenair) RCN9047-26 (Gore)	687-754-8-8	.220 (5.56)	858-045-02F [Type I]	858-046-02F [Type I]	AI85151-02
Cat 6A S/FTP	28	963-033-28 (Glenair) RCN9034-28 (Gore)	687-754-8-4	.177 (4.50)	858-045-03F [Type I]	858-046-03F [Type I]	AI85151-03
Cat 8 S/FTP	26	963-132-26 (Glenair) RCN9047-26 (Gore)	687-754-8-8	.220 (5.56)	858-045-04F [Type I]	858-046-04F [Type I]	AI85151-04
Cat 8 S/FTP	26	963-135-26 (Glenair) E10026243 (Harbor Industries)	687-754-8-8	.220 (5.56)	858-045-05F [Type I]	858-046-05F [Type I]	AI85151-05
Cat 6A S/UTP	26	963-003-26 (Glenair) E6A3826 (PIC)	770-074S101W1	.220 (5.56)	858-051-01B [Type II]	858-052-01B [Type II]	AI85149-01
Cat 6A S/FTP	26	963-033-26 (Glenair) RCN9047-26 (Gore)	770-074S101W1	.220 (5.56)	858-051-02B [Type II]	858-052-02B [Type II]	AI85149-02
Cat 6A S/UTP	24	963-037-24 (Glenair) E6A3824 (PIC)	770-074S101W1	.260 (6.60)	858-051-03B [Type II]	858-052-03B [Type II]	AI85149-03
Cat 6A S/FTP	24	963-033-24 (Glenair) RCN9034-24 (Gore)	770-074S101W1	.260 (6.60)	858-051-04B [Type II]	858-052-04B [Type II]	AI85149-04
Cat 6A S/UTP	24	963-003-24 (Glenair) E6A0824 (PIC)	770-074S101W1	.280 (7.11)	858-051-05B [Type II]	858-052-05B [Type II]	AI85149-05
Cat 8 S/FTP	26	963-132-26 (Glenair) RCN9235-26 (Gore)	770-074S101W1	.220 (5.59)	858-051-06B [Type II]	858-052-06B [Type II]	AI85149-06
Cat 8 S/FTP	24	963-132-24 (Glenair) RCN9241-24 (Gore)	770-074S101W1	.260 (6.60)	858-051-07B [Type II]	858-052-07B [Type II]	AI85149-07
Cat 8 S/FTP	26	963-135-26 (Glenair) E10026243 (Harbor Industries)	770-074S101W1	.220 (5.59)	858-051-08B [Type II]	858-052-08B [Type II]	AI85149-08

ENVIRONMENTAL, MICRO MINIATURE CIRCULAR

Series 806

Mil-Aero Connectors

El Ochito Contacts



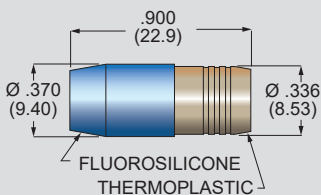
Size #8 El Ochito® Contacts for Series 806 Connectors

Cable Type	AWG	Cable Accommodated	Grommet Follower/ Boot	Cable Dia.	Pin Contact	Socket Contact	
USB 3.0 - El Ochito Blue - Type I and II							
USB 3.0 Commercial-Grade	#24 PWR/ GND, #28 Data	963-118 (Glenair)	687-754-8-8	.217 (5.51)	858-047-01F [Type I]	858-048-01F [Type I]	AI85158-01
USB 3.0 Aerospace-Grade	#24 PWR/ GND, #26 Data	963-110 (Glenair)	687-754-8-9	.236 (5.99)	858-047-02F [Type I]	858-048-02F [Type I]	AI85158-02
USB 3.0 Commercial-Grade	#24 PWR/ GND, #28 Data	963-118 (Glenair)	770-074S101W1	.217 (5.51)	858-073-01B [Type II]	858-074-01B [Type II]	AI85158-01
USB 3.0 Aerospace-Grade	#24 PWR/ GND, #26 Data	963-110 (Glenair)	770-074S101W1	.236 (5.99)	858-067-02B [Type II]	858-074-02B [Type II]	AI85158-02
HDMI, DisplayPort, SATA Protocol - El Ochito Red - Type I and II							
S/FTP	26	up to 1 Gbps 963-033-26 (Glenair)	687-754-8-8	.220 (5.59)	858-049-01F [Type I]	858-050-01F [Type I]	AI85151-02
S/FTP	26	up to 10 Gbps 963-122-1 (Glenair) Duraelectric Light	N/A	.299 (7.59)	858-049-01 [Type I]	858-050-01 [Type I]	AI85151-02
S/FTP	26	up to 10 Gbps 963-122-2 (Glenair) Polyurethane LSZH	N/A	.299 (7.59)	858-049-01 [Type I]	858-050-01 [Type I]	AI85151-02
S/FTP	26	up to 10 Gbps 963-122-3 (Glenair) FEP	N/A	.277 (7.04)	858-049-01 [Type I]	858-050-01 [Type I]	AI85151-02
SATA 3.0	24	963-133 (Glenair) RCN9062 (Gore)	687-754-8-8	.225 (5.71)	858-049-02F [Type I]	858-050-02F [Type I]	AI85160-01
S/FTP	26	up to 1 Gbps 963-033-26 (Glenair) RCN9047-26 (Gore)	770-074S101W1	.220 (5.59)	858-067-01B [Type I]	858-068-01B [Type I]	AI85149-02
S/FTP	24	up to 1 Gbps 963-033-24 (Glenair) RCN9034-24 (Gore)	770-074S101W1	.220 (5.59)	858-067-01B [Type I]	858-068-01B [Type I]	AI85149-04

Sealing Boot

"F" suffix in the part number indicates contact is supplied with grommet follower. To order less grommet, delete the "F" suffix.

687-754-8-4 = .175 diameter cable
687-754-8-8 = .220 diameter cable
687-754-8-9 = .237 diameter cable



Shrink Boot

"B" suffix in the part number indicates contact is supplied with sealing boot. suffix. 125° C zero halogen / hot melt adhesive. To order less boot, delete the "B"

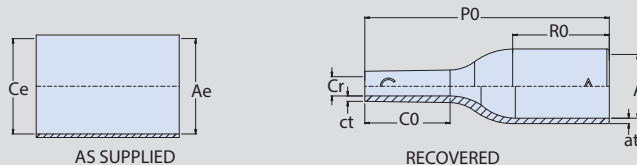


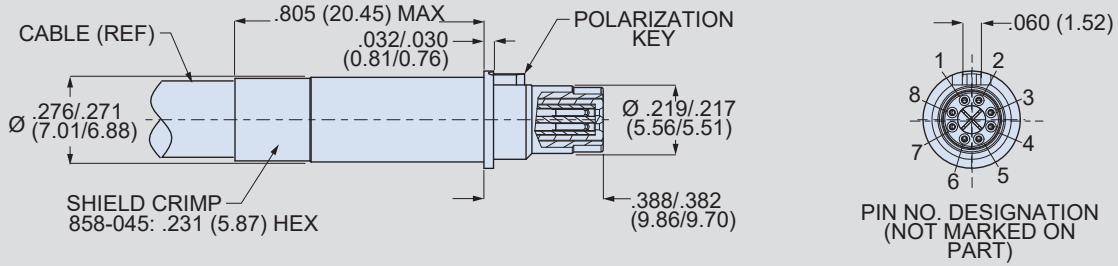
Table III

BOOT SIZE	GLENAIR US PART MARKING	Ae DIA MIN	Ce DIA MIN	Ar DIA MAX	at ±30%	Cr DIA MAX	ct ±20%	CO REF	PO ±10%	RO REF
01	01	.354 (9.0)	.354 (9.0)	.265 (6.7)	.023 (0.6)	.080 (2.0)	.023 (0.6)	.354 (9.0)	1.015 (25.8)	.401 (10.2)

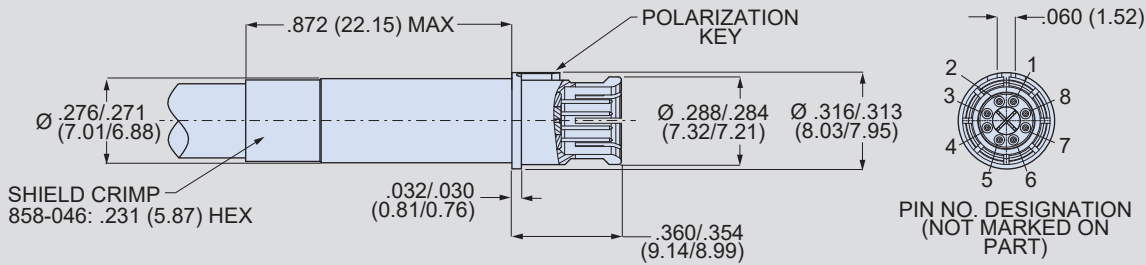
ENVIRONMENTAL, MICRO MINIATURE CIRCULAR
Series 806
Mil-Aero Connectors
 El Ocho Contacts



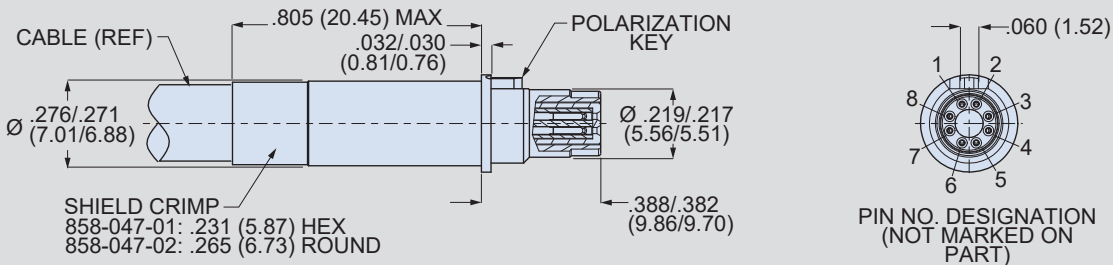
El Ocho® 858-045 White Type I Pin Contacts



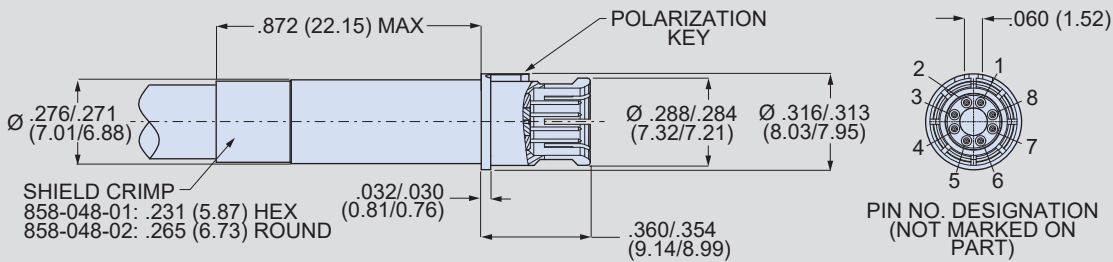
El Ocho® 858-046 White Type I Socket Contacts



El Ocho® 858-047 Blue Type I Pin Contacts



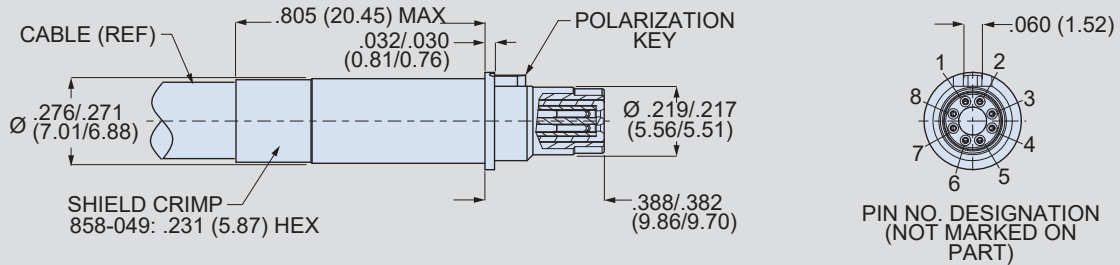
El Ocho® 858-048 Blue Type I Socket Contacts



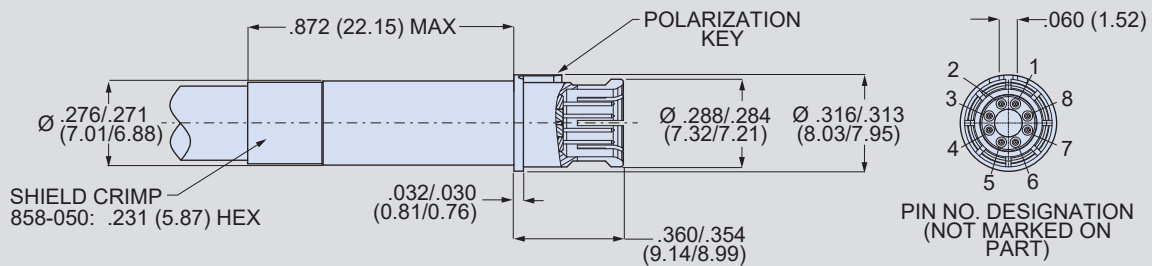
ENVIRONMENTAL, MICRO MINIATURE CIRCULAR
Series 806
Mil-Aero Connectors
 El Ocho Contacts



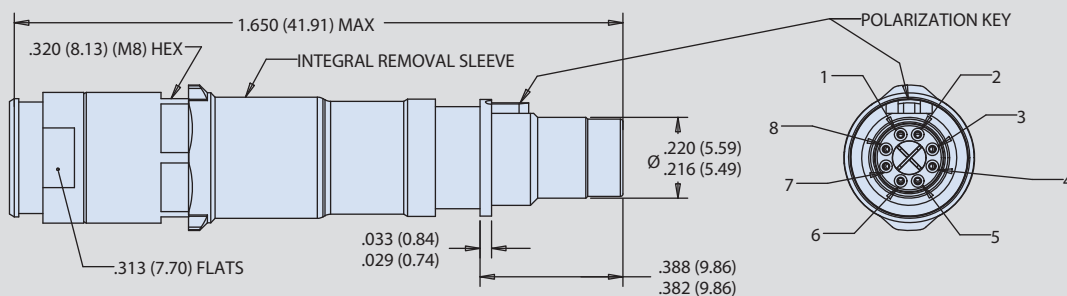
El Ocho[®] 858-049 Red Type I Pin Contacts



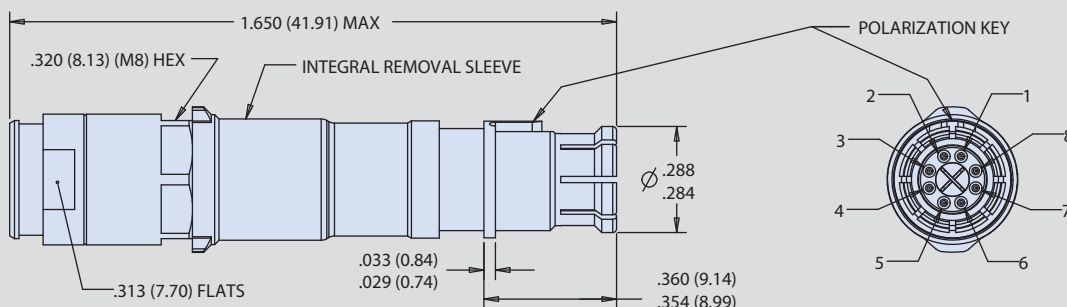
El Ocho[®] 858-050 Red Type I Socket Contacts



El Ocho[®] 858-051 White, 858-067 Red, and 858-073 Blue Type II Pin Contacts



El Ocho[®] 858-052 White, 858-068 Red, and 858-074 Blue Type II Socket Contacts



ENVIRONMENTAL, MICRO MINIATURE CIRCULAR

Series 806

Mil-Aero Connectors

El Ochito Contacts



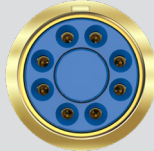
El Ochito® White



100BASE-T, 10GBASE-T, 40GBASE-T

El Ochito® White octaxial contacts provide 40GbE in a single size #8 contact cavity (compared to two Quadrax) for 100BASE-T solutions.

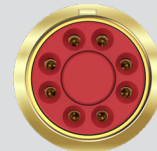
El Ochito® Blue



SuperSpeed USB

Low-dielectric material. 90 ohms. El Ochito® Blue octaxial contacts provide an aerospace-grade solution for SuperSpeed USB 3.0

El Ochito® Red

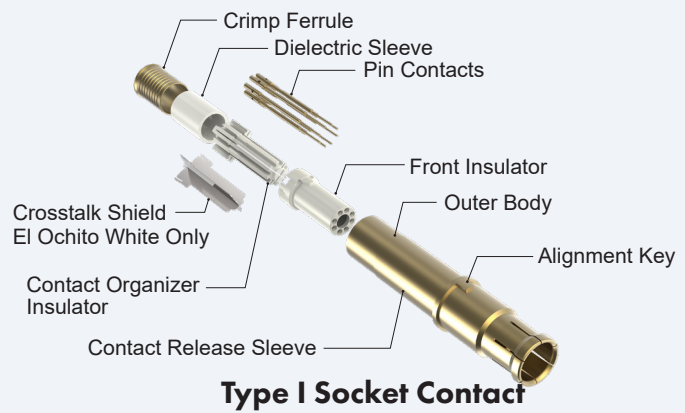
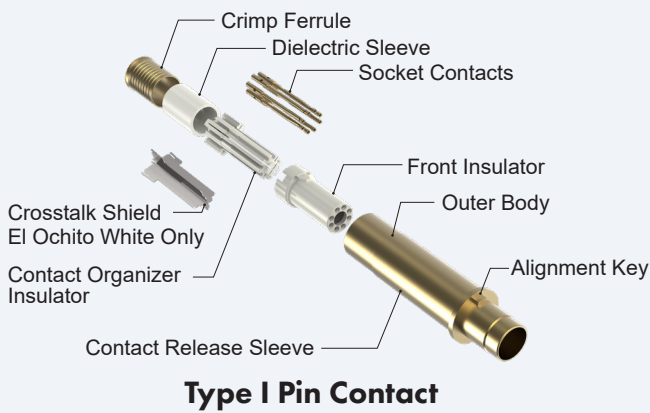


HDMI, DisplayPort, SATA

Low-dielectric material. Up to 10 Gbps. 100 ohms. El Ochito® Red octaxial contacts provide an aerospace-grade solution for multi-gigabit data rates.

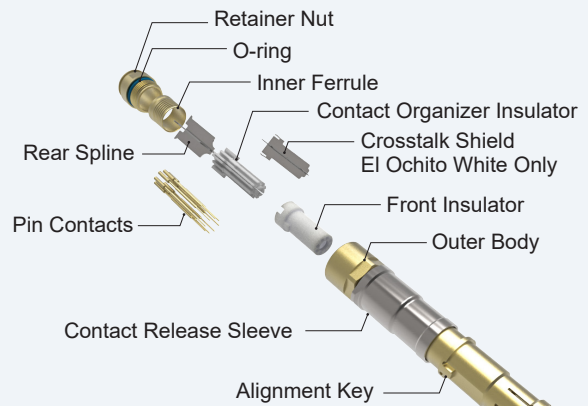
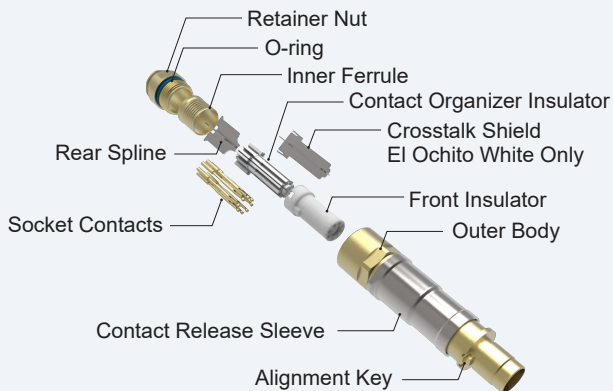
El Ochito® Type I Contacts

26-28 AWG, Non-Serviceable, Crimp Wire Shield Termination



El Ochito® Type II Contacts

24-26 AWG, Serviceable, Threaded Wire Shield Termination, Integral Contact Release Sleeve



Series 806 Mil-Aero Connectors








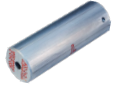

El Ochito Contacts



Technical Data

Specifications	Construction
<ul style="list-style-type: none"> ❑ Operating temperature: El Ochito®: -65° to +175°C Impedance: El Ochito® White: 100 ohms El Ochito® Blue: 90 ohms El Ochito® Red: 100 ohms ❑ Dielectric withstanding voltage: 500 Vac ❑ Current Rating: 1.5 A ❑ Insulation resistance: 5000 megohms min. ❑ Durability: 500 mating cycles ❑ Vibration: MIL-DTL-38999 Series III ❑ Shock: MIL-DTL-38999 Series III 	<ul style="list-style-type: none"> ❑ Inner contacts, outer contact, ferrules, retaining nut: copper alloy, 50 microinches gold over nickel plating ❑ Insulators: El Ochito® White: rigid dielectric, natural color El Ochito® Blue: low-dielectric constant thermoplastic, blue El Ochito® Red: low-dielectric constant thermoplastic, red ❑ O-ring: fluorosilicone ❑ Heatshrink tubing: PVDF ❑ Contact release sleeve: stainless steel, passivated ❑ Sealing boot grommet: fluorosilicone ❑ Sealing boot body: rigid thermoplastic, PEI or equivalent

Assembly Tools

Contact PN	Inner Contact Crimp		Cable Shield Hex Crimp		Cable Shield Round Crimp		Key Alignment Tool	Rear Ferrule Insertion Tool	Removal Tool
	Tool	Positioner	Tool	Hex Die	Tool	Positioner			
858-045	809-015	859-101	809-129	859-007	—	—	600-274	600-242	859-049
858-046	809-015	859-101	809-129	859-007	—	—	600-235	600-242	859-049
858-047-01	809-015	859-101	809-129	859-007	—	—	600-274	600-242	859-049
858-047-02	809-015	859-101	—	—	809-134	859-184	600-274	600-242	859-049
858-048-01	809-015	859-101	809-129	859-007	—	—	600-235	600-242	859-049
858-048-02	809-015	859-101	—	—	809-134	859-184	600-235	600-242	859-049
858-049	809-015	859-101	809-129	859-007	—	—	600-274	600-242	859-049
858-050	809-015	859-101	809-129	859-007	—	—	600-235	600-242	859-049
858-051	809-015	859-101	—	—	—	—	600-274	600-242	859-049
858-052	809-015	859-101	—	—	—	—	600-235	600-242	859-049
858-067	809-015	859-101	—	—	—	—	600-274	600-242	859-049
858-068	809-015	859-101	—	—	—	—	600-235	600-242	859-049
858-073	809-015	859-101	—	—	—	—	600-274	600-242	859-049
858-074	809-015	859-101	—	—	—	—	600-235	600-242	859-049
Tools	 809-015 (M22520/2-01)	 859-101 (K1906)	 809-129 (M22520/5-01)	 859-007 (M22520/5-45)	 859-134 (GS206)	 859-184	 600-235 600-274	 600-242	 859-049 (M81969/14-12)

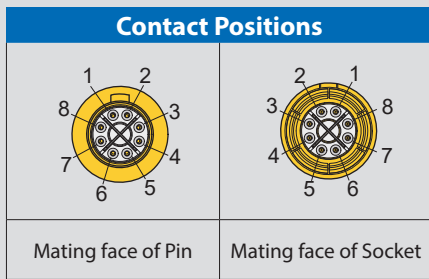
Series 806 Mil-Aero Connectors



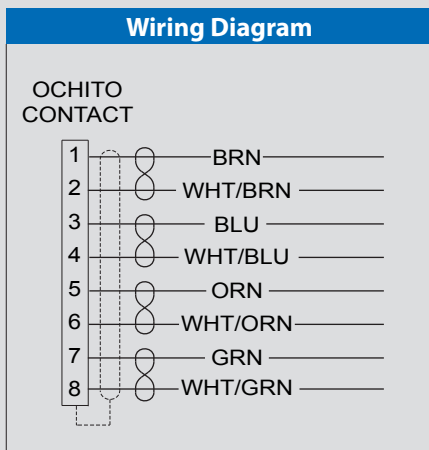
El Ochito® White Single-Ended Cat 6A Cable Assembly 8571-0001



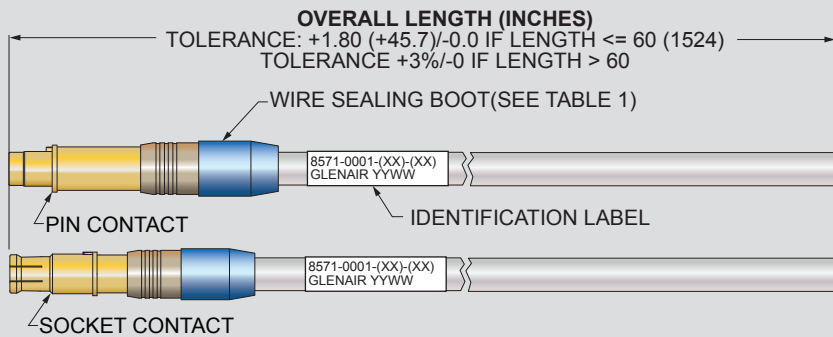
El Ochito® White for 10GBASE-T Ethernet, pin contact mating face



Technical Data	
<ul style="list-style-type: none"> Refer to individual contact and cable data sheets for construction details 100% tested for shorts, continuity and IR 	
<ul style="list-style-type: none"> Operating temp.: -65° to +175°C Impedance: 100 ohms DWV: 500 Vrms Current Rating: 1.5 A IR: 200 megohms min. Durability: 500 mating cycles 	



Save assembly time and cost with pre-wired, 100% tested El Ochito® White assemblies. These single-ended cables have El Ochito® White octaxial contacts terminated to Category 6A aerospace-grade shielded cable. Supplied with cable sealing boot if applicable. Designed to meet the requirements of MIL-DTL-38999, SAE AS39029. *El Ochito® contacts must be installed in keyed connectors before mating to prevent misalignment and contact damage.*



Category 6A Pre-Wired El Ochito® Pin-Socket Assemblies			
Sample Part Number	8571-0001	-18	-60
Product	8571-0001 = Pre-wired El Ochito® contact, single-ended, Cat6A		
Order Code	See Table 1		
Length	Length in Inches (12 inch minimum)		

Table 1: Order Code					
Order Code	Contact Part Number	Pin/Skt	Sealing Boot	Cable Type	Cable Part Number
17	858-046-01F	Skt	Yes	S/UTP CAT6A #26 .220	963-003-26
18	858-046-02F	Skt	Yes	S/FTP CAT6A #26 .220	963-033-26
19	858-045-01F	Pin	Yes	S/UTP CAT6A #26 .220	963-003-26
20	858-045-02F	Pin	Yes	S/FTP CAT6A #26 .220	963-033-26

ENVIRONMENTAL, MICRO MINIATURE CIRCULAR

Series 806

Mil-Aero Connectors

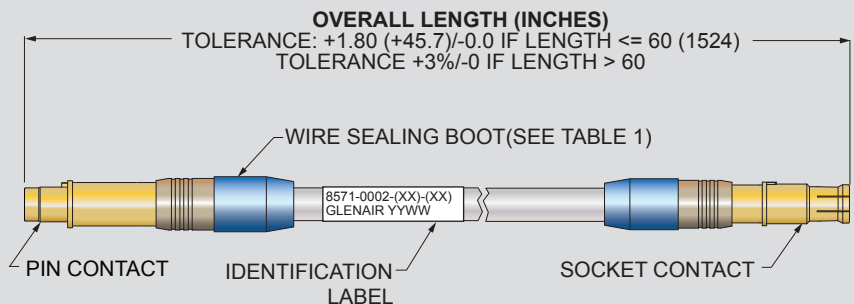
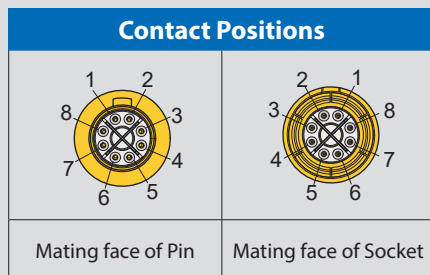


El Ochito® White Pin-to-Socket Cat 6A Cable Assembly 8571-0002



El Ochito® White for 10GBASE-T Ethernet, pin contact mating face

Lower installed cost. 100% tested. Save assembly time and cost with pre-wired El Ochito® White assemblies. These pin-to-socket cables have El Ochito® White octaxial contacts terminated to Category 6A aerospace-grade shielded cable. Supplied with cable sealing boot if applicable. These pre-wired El Ochito® contacts snap into connector body without requiring an insertion tool. Remove contacts with plastic tool 859-049. Designed to meet the requirements of MIL-DTL-38999, SAE AS39029. **El Ochito® contacts must be installed in keyed connectors before mating to prevent misalignment and contact damage.**



Technical Data
<ul style="list-style-type: none"> Refer to individual contact and cable data sheets for construction details 100% tested for shorts, continuity and IR
<ul style="list-style-type: none"> Operating temp.: -65° to +175°C Impedance: 100 ohms DWV: 500 Vrms Current Rating: 1.5 A IR: 200 megohms min. Durability: 500 mating cycles

Category 6A Pre-Wired El Ochito® Pin-Socket Assemblies			
Sample Part Number	8571-0002	-06	-36
Product	8571-0002 = Pre-wired El Ochito® contacts, Pin-to-Socket		
Order Code	See Table 1		
Length	Length in Inches (12 inch minimum)		

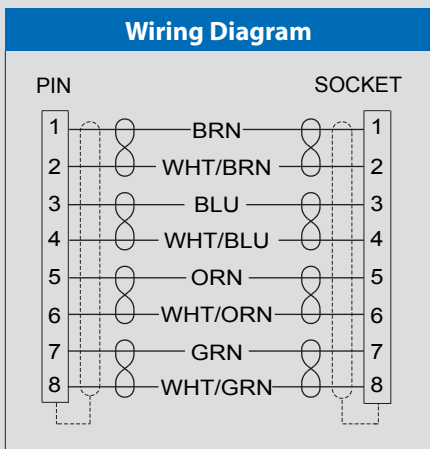


Table 1 Order Code						
Connector Type	Order Code	Pin Contact Part No.	Skt Contact Part No.	Sealing Boot	Cable Type	Cable Part Number
Series 806	06	858-045-01F	858-046-01F	Yes	S/UTP CAT6A #26 .220	963-003-26
	07	858-045-02F	858-046-02F	Yes	S/FTP CAT6A #26 .220	963-033-26

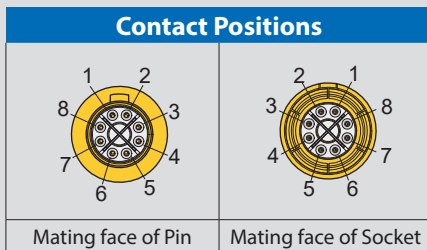
Series 806 Mil-Aero Connectors



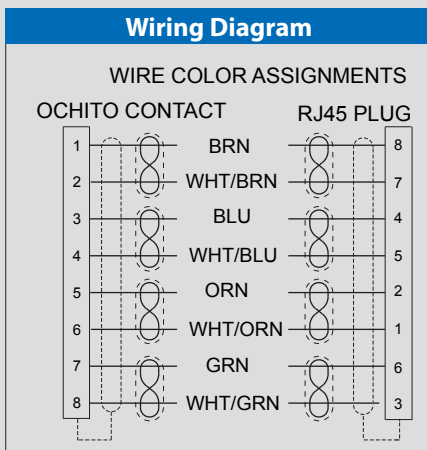
El Ochito® White-to-RJ45 Cable Assemblies 8571-0003 and -0004



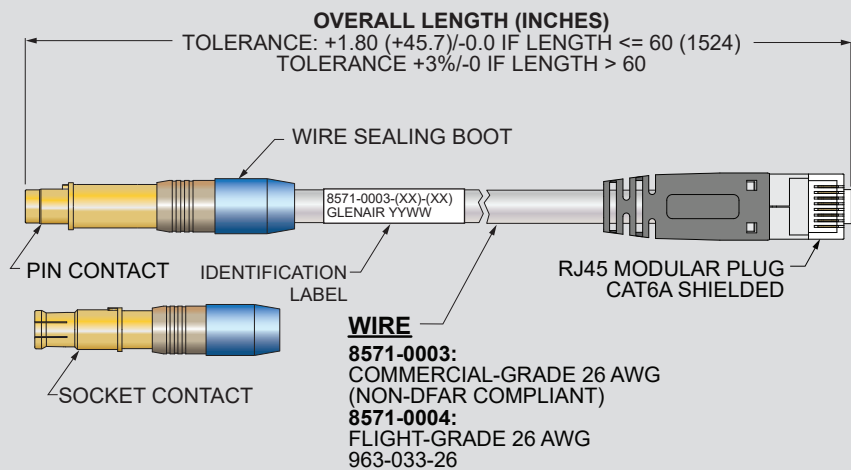
El Ochito® White for 10GBASE-T Ethernet, pin contact mating face



Technical Data
<ul style="list-style-type: none"> Refer to individual contact data sheets for construction details 100% tested for shorts, continuity and IR
<ul style="list-style-type: none"> Wire Size: 26 AWG Impedance: 100 ohms DWV: 500 Vrms Current Rating: 1.5 A IR: 200 megohms min. Durability: 500 mating cycles RJ45 Modular Plug: <ul style="list-style-type: none"> 8571-0003: -40° to +70° C 8571-0004: -40° to +85° C



*El Ochito® White-to-RJ45. Two cable options: commercial grade (8571-0003) or flight-grade (8571-0004) Cat6A. Save assembly time and cost with pre-wired El Ochito® White assemblies. Cost-effective commercial grade assemblies are perfect for LAN testers and de-bugging. High performance engineered fluoropolymer aerospace grade assemblies have foil shields on each wire pair. **El Ochito® octaxial contacts must be installed in keyed connectors before mating to prevent misalignment and contact damage.***



El Ochito®-to-RJ45 Cable Assemblies, Commercial-grade Wire			
Sample Part Number	8571-0003	-03	-24
Product	8571-0003 = Cable Assy, El Ochito® to RJ45 Plug, Commercial Grade		
El Ochito® Contact Part Number	03 = 858-045-01F Pin 04 = 858-046-01F Socket		
Length	Length in Inches (12 inch minimum)		

El Ochito®-to-RJ45 Cable Assemblies, Flight-grade Wire			
Sample Part Number	8571-0004	-03	-24
Product	8571-0004 = Cable Assy, El Ochito® to RJ45 Plug, Aerospace Grade		
El Ochito® Contact Part Number	03 = 858-045-02F Pin 04 = 858-046-02F Socket		
Length	Length in Inches (12 inch minimum)		

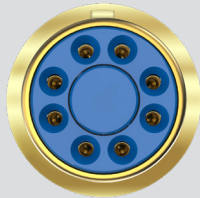
ENVIRONMENTAL, MICRO MINIATURE CIRCULAR

Series 806

Mil-Aero Connectors

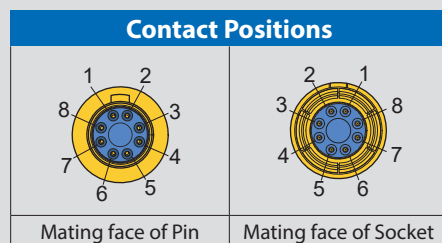


El Ochito® Blue Single-Ended SuperSpeed USB Cable Assembly 8572-0001

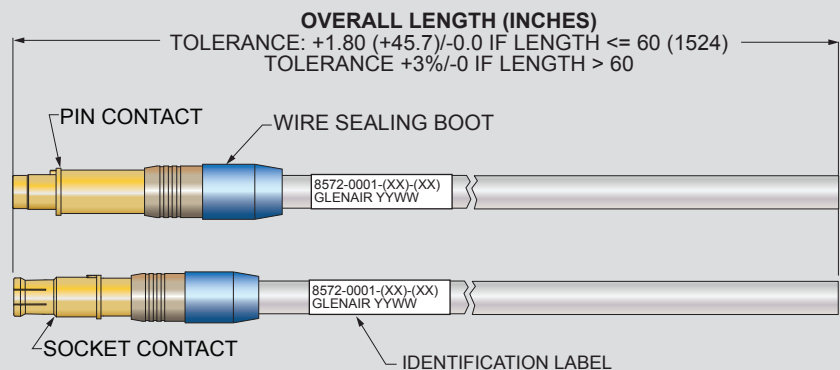
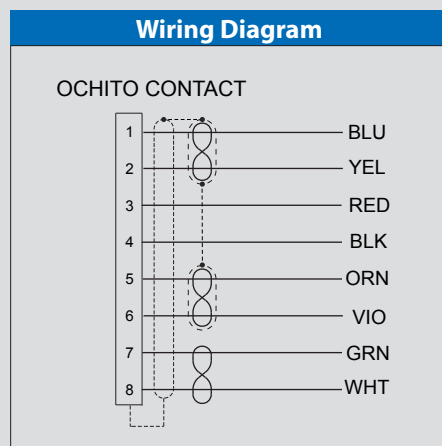


El Ochito® Blue for SuperSpeed USB 3.0, pin contact mating face

Two cable options: commercial grade or flight-grade. 100% tested. Save assembly time and cost with pre-wired El Ochito® Blue SuperSpeed USB 3.0 assemblies. These single-ended assemblies have El Ochito® Blue octaxial contacts terminated to USB 3.0 shielded cables. Supplied with cable sealing boot. Commercial-grade version has PVC jacket. Aerospace-grade version has high temperature fluoropolymer construction and braided shields on SuperSpeed pairs. **El Ochito® contacts must be installed in keyed connectors before mating to prevent misalignment and contact damage.**



Technical Data	
<input type="checkbox"/>	Refer to individual contact and cable data sheets for construction details
<input type="checkbox"/>	100% tested for shorts, continuity and IR
<input type="checkbox"/>	Operating temp.: -65° to +175°C, aerospace-grade 0° to +80°C, commercial-grade
<input type="checkbox"/>	Impedance: 90 ohms
<input type="checkbox"/>	DWV: 100 Vrms
<input type="checkbox"/>	Current Rating: 1.5 A
<input type="checkbox"/>	IR: 100 megohms min.
<input type="checkbox"/>	Durability : 500 mating cycles



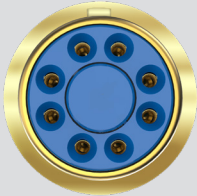
El Ochito® Blue USB Single-Ended Cable Assemblies			
Sample Part Number	8572-0001	-09	-36
Product	8572-0001 = Pre-wired El Ochito® contact with USB 3.0 cable		
Order Code	See Table 1		
Length	Length in Inches (12 inch minimum)		

Table 1: Order Code				
Order Code	Contact Part No.	Pin/Skt	Cable Type	Cable Part Number
09	858-047-01F	Pin	Commercial-grade, PVC Jacket, 0° to +80°C	963-118
11	858-048-01F	Socket	Commercial-grade, PVC Jacket, 0° to +80°C	963-118
10	858-047-02F	Pin	Aerospace-grade, Fluoropolymer Jacket, -65° to +200°C	963-110
12	858-048-02F	Socket	Aerospace-grade, Fluoropolymer Jacket, -65° to +200°C	963-110

Series 806 Mil-Aero Connectors

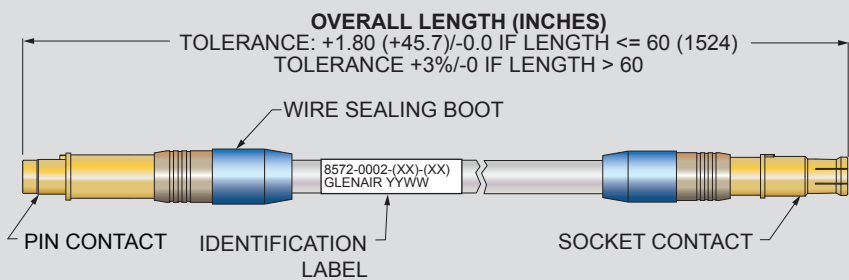
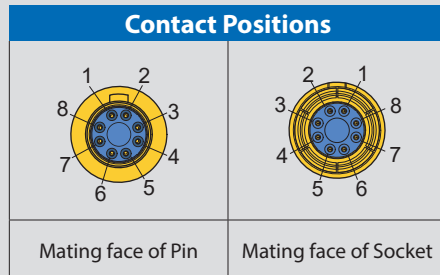


El Ochito® Blue Pin-Socket SuperSpeed USB Cable Assembly 8572-0002



El Ochito® Blue for SuperSpeed USB 3.0,
pin contact mating face

*Aerospace-grade or commercial-grade cable. 100% tested. Save assembly time and cost with pre-wired El Ochito® Blue SuperSpeed USB 3.0 assemblies. These assemblies have a pin contact on one end and a socket contact on the other end. Aerospace-grade high temperature cable (963-110) has fluoropolymer construction. Commercial-grade version (963-118) has PVC jacket. Supplied with cable sealing boot. **El Ochito® octaxial contacts must be installed in keyed connectors before mating to prevent misalignment and contact damage.***



Technical Data	
<input type="checkbox"/>	Refer to individual contact and cable data sheets for construction details
<input type="checkbox"/>	100% tested for shorts, continuity and IR
<input type="checkbox"/>	Operating temp.: -65° to +175°C, aerospace-grade 0° to +80°C, commercial-grade
<input type="checkbox"/>	Impedance: 90 ohms
<input type="checkbox"/>	DWV: 100 Vrms
<input type="checkbox"/>	Current Rating: 1.5 A
<input type="checkbox"/>	IR: 100 megohms min.
<input type="checkbox"/>	Durability: 500 mating cycles

Pre-Wired El Ochito® Blue Pin-Socket Cable Assemblies				
	Sample Part Number	8573-0002	-05	-36
Product	8572-0002 = Pre-wired El Ochito® contact with USB 3.0 cable			
Order Code	See Table 1			
Length	Length in Inches (12 inch minimum)			

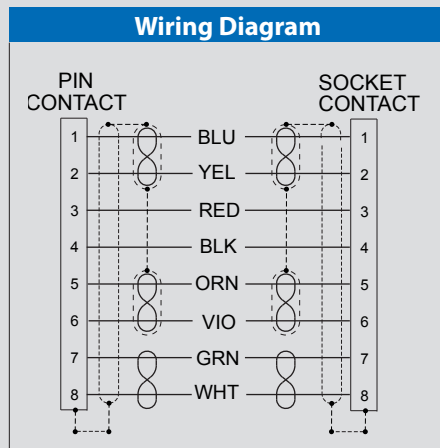
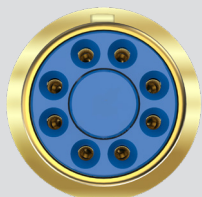


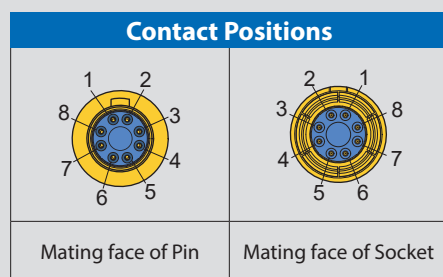
Table 1 Order Code				
Order Code	Pin Contact Part No.	Socket Contact Part No.	Cable Type	Cable Part Number
05	858-047-01F	858-048-01F	Commercial-grade PVC Jacket 0° to +80C	963-118
06	858-047-02F	858-048-02F	Aerospace-grade Fluoropolymer Jacket -65° to +200C	963-110

Series 806 Mil-Aero Connectors

El Ochito® Blue to SuperSpeed USB Cable Assemblies 8572-0003



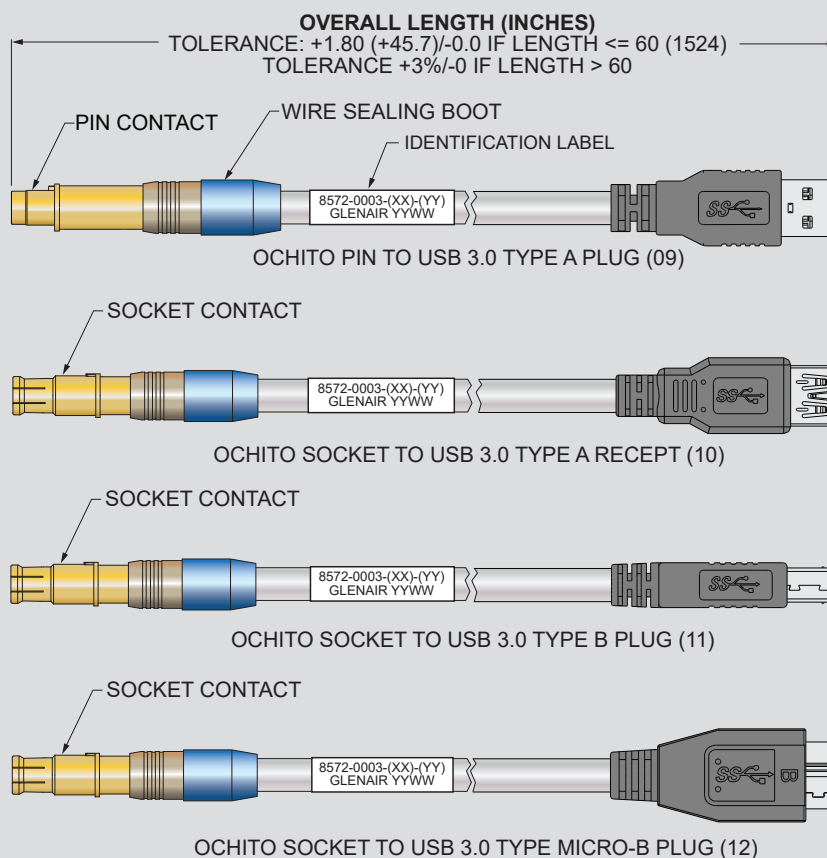
El Ochito® Blue for SuperSpeed USB 3.0,
pin contact mating face



Technical Data
<ul style="list-style-type: none"> Operating temp.: 0° to +80°C Impedance: 90 ohms DWV: 100 Vrms Current Rating: 1.5 A IR: 100 megohms min. Durability : 500 mating cycles

Construction
<ul style="list-style-type: none"> Refer to individual contact data sheets for additional details 100% tested for shorts, continuity and IR Cable: commercial-grade, PVC jacket, non-DFAR compliant

USB 3.0 Connectors. Commercial grade. 100% tested. Save assembly time and cost with pre-wired El Ochito® Blue SuperSpeed USB assemblies. These assemblies have El Ochito® Blue contacts wired to USB 3.0 Connectors. Supplied with cable sealing boot. *El Ochito® contacts must be installed in keyed connectors before mating to prevent misalignment and contact damage.*



Pre-Wired El Ochito® Blue to SuperSpeed USB Cable Assemblies				
	Sample Part Number	8572-0003	-10	-36
Product	8572-0003 = Pre-wired El Ochito® contacts with USB 3.0 connectors			
Order Code	See Table 1			
Length	Length in Inches (12 inch minimum)			

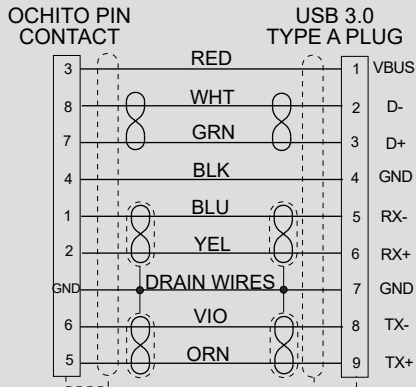
Table 1 Order Code			
Order Code	Contact Part No.	El Ochito Pin/Skt	USB 3.0 Connector
09	858-047-01F	Pin	A Plug
10	858-048-01F	Socket	A Recept
11	858-048-01F	Socket	B Plug
12	858-048-01F	Socket	Micro-B Plug

Series 806 Mil-Aero Connectors

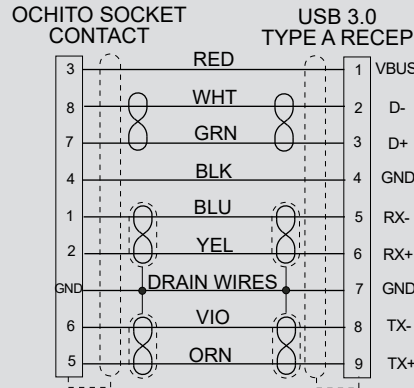


El Ochito® Blue to SuperSpeed USB Cable Assemblies 8572-0003

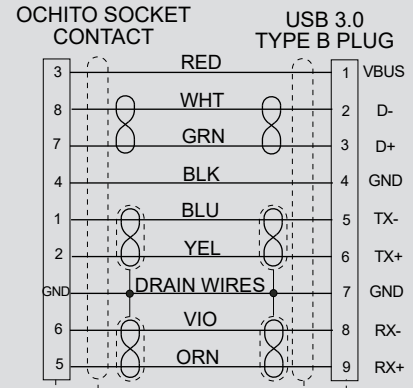
Wiring Diagram
8572-0003-09
El Ochito® Pin to USB 3.0 A Plug



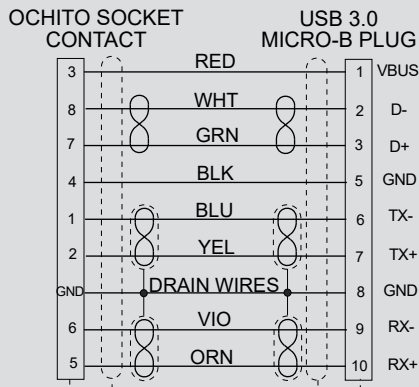
Wiring Diagram
8572-0003-10
El Ochito® Socket to USB 3.0 A Receptacle



Wiring Diagram
8572-0003-11
El Ochito® Socket to USB 3.0 B Plug



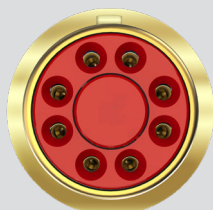
Wiring Diagram
8572-0003-12
El Ochito® Socket to USB 3.0 Micro-B Plug



Series 806 Mil-Aero Connectors

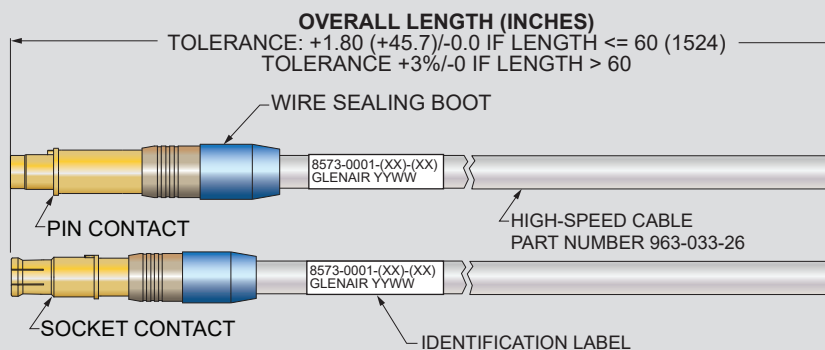
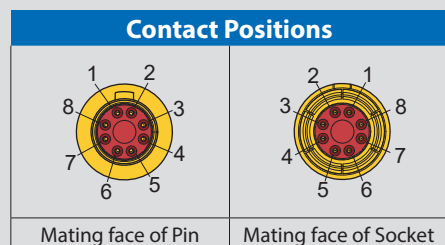


El Ochito® Red Single-Ended Cable Assembly 8573-0001



El Ochito® Red for Multi-Gigabit 100 Ohm Datalinks, pin contact mating face

Save assembly time and cost with pre-wired, 100% tested El Ochito® Red assemblies for datalinks up to 1Gbps. These single-ended cables have El Ochito® Red octaxial contacts terminated to high performance flight-grade 100 ohm shielded twisted pair cable. Supplied with cable sealing boot. Designed to meet the requirements of MIL-DTL-38999 and SAE AS39029. *El Ochito® contacts must be installed in keyed connectors before mating to prevent misalignment and contact damage.*



Technical Data	
<ul style="list-style-type: none"> Refer to individual contact data sheets for construction details 100% tested for shorts, continuity and IR 	
<ul style="list-style-type: none"> Operating temp.: -65° to +175°C Impedance: 100 ohms DWV: 300 Vrms Current Rating: 1.5 A IR: 10 megohms min. Durability: 500 mating cycles 	

El Ochito® Red Single-Ended Cable Assemblies				
Sample Part Number		8573-0001	-05	-36
Product	8573-0001 = Pre-wired El Ochito® contact, single-ended			
El Ochito® Contact P/N	See Table 1			
Length	Length in Inches (12 inch minimum)			

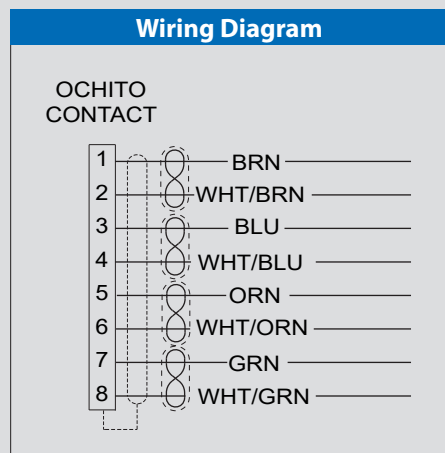
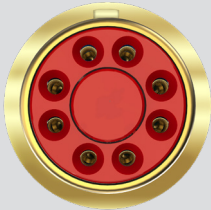


Table 1 Order Code				
Order Code	Contact Part No.	Pin/Skt	Data Protocol	Cable
05	858-049-01F	Pin	High Speed, up to 1 Gbps	963-033-26 26 AWG
06	858-050-01F	Socket	High Speed, up to 1 Gbps	963-033-26 26 AWG

Series 806 Mil-Aero Connectors

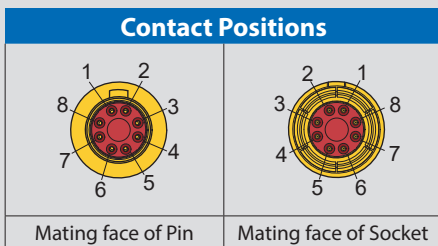


El Ochito® Red Single-Ended Cable Assembly 8573-0023

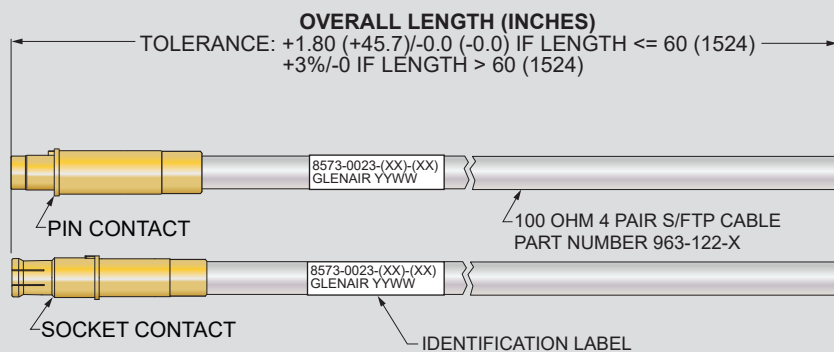
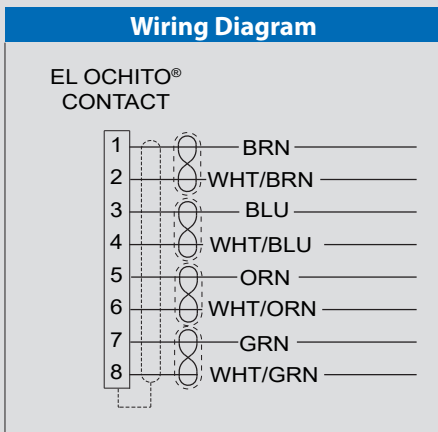


El Ochito® Red for Multi-Gigabit 100 Ohm Datalinks, pin contact mating face

Save assembly time and cost with pre-wired, 100% tested El Ochito® Red assemblies for multi-gigabit datalinks. These single-ended cables have El Ochito® Red octaxial contacts terminated to Glenair general purpose, aerospace-grade 100 ohm shielded twisted pair cable. Suitable for Cat 6a, HDMI and DisplayPort protocol applications. Supplied with cable sealing boot. Designed to meet the requirements of MIL-DTL-38999 and SAE AS39029. *El Ochito® contacts must be installed in keyed connectors before mating to prevent misalignment and contact damage.*



Technical Data	
<input type="checkbox"/>	Refer to individual contact and wire data sheets for construction details
<input type="checkbox"/>	100% tested for shorts, continuity and IR
<input type="checkbox"/>	Operating temp. (cable jacket): -1: -65° to +175° C -2: -40° to +90° C -3: -65° to +175° C
<input type="checkbox"/>	Impedance: 100 ohms
<input type="checkbox"/>	DWV: 300 Vrms
<input type="checkbox"/>	Current Rating: 1.5 A
<input type="checkbox"/>	IR: 10 megohms min.
<input type="checkbox"/>	Durability: 500 mating cycles



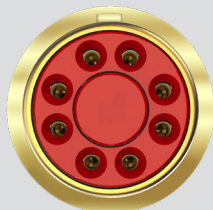
El Ochito® Red Single-Ended Cable Assemblies					
	Sample Part Number	8573-0023	-05	-1	-48
Product	8573-0023 = Pre-wired El Ochito® contact, single-ended, Multi-Gigabit				
El Ochito® Contact P/N	See Table 1				
Cable Jacket	1 = Duraelectric Jacket 2 = Polyurethane LSZH 3 = FEP				
Length	Length in Inches (12 inch minimum)				

Table 1 Order Code				
Order Code	Contact Part No.	Pin/Skt	Data Protocol	Cable
05	858-049-01	Pin	High Speed, > 1 Gbps	963-122-X 26 AWG
06	858-050-01	Socket	High Speed, > 1 Gbps	963-122-X 26 AWG

Series 806 Mil-Aero Connectors

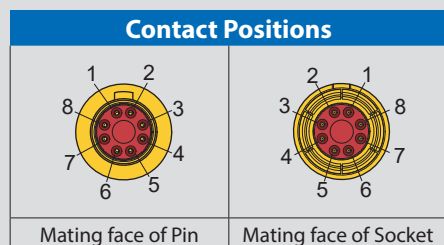


El Ochito® Red Pin-Socket Cable Assembly 8573-0002

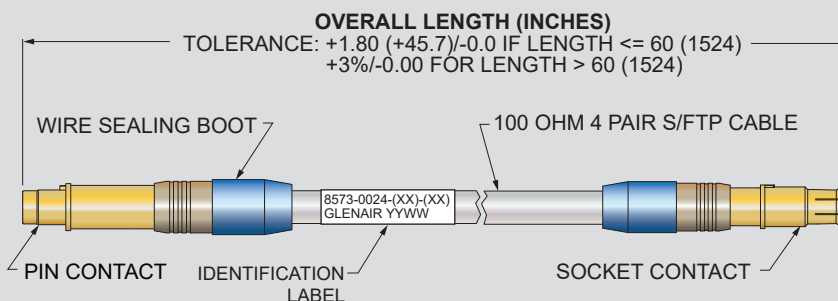
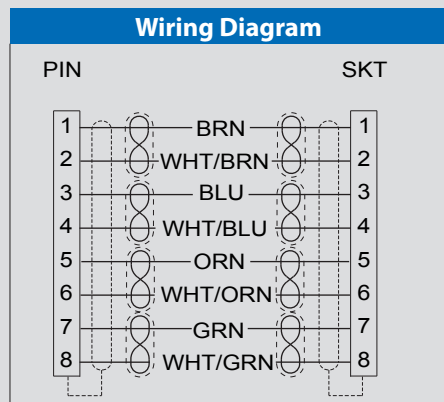


El Ochito® Red for Multi-Gigabit 100 Ohm Datalinks, pin contact mating face

Save assembly time and cost with pre-wired, 100% tested El Ochito® Red assemblies for datalinks up to 1Gbps. These pin-to-socket cables have El Ochito® Red octaxial contacts terminated to high performance flight-grade 100 ohm shielded twisted pair cable. Supplied with cable sealing boots. Designed to meet the requirements of MIL-DTL-38999 and SAE AS39029. *El Ochito® contacts must be installed in keyed connectors before mating to prevent misalignment and contact damage.*



Technical Data	
<input type="checkbox"/>	Refer to individual contact data sheets for construction details
<input type="checkbox"/>	100% tested for shorts, continuity and IR
<input type="checkbox"/>	Operating temp. (cable jacket): -1: -65° to +175° C -2: -40° to +90° C -3: -65° to +175° C
<input type="checkbox"/>	Impedance: 100 ohms
<input type="checkbox"/>	DWV: 300 Vrms
<input type="checkbox"/>	Current Rating: 1.5 A
<input type="checkbox"/>	IR: 10 megohms min.
<input type="checkbox"/>	Durability: 500 mating cycles

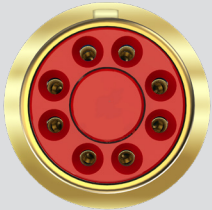


Pre-Wired El Ochito® Red Pin-Socket Cable Assemblies			
Sample Part Number	8573-0002	-03	-48
Product	8573-0002 = Pre-wired El Ochito® Red Pin-to-socket Assemblies.		
El Ochito® Contact P/N	See Table 1		
Length	Length in Inches (12 inch minimum)		

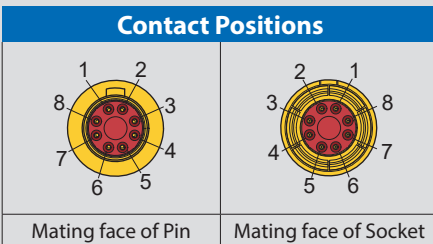
Table 1 Order Code				
Order Code	Pin Contact Part No.	Skt Contact Part No.	Data Protocol	Cable
03	858-049-01F	858-050-01F	High Speed, up to 1 Gbps	963-033-26 26 AWG

Series 806 Mil-Aero Connectors

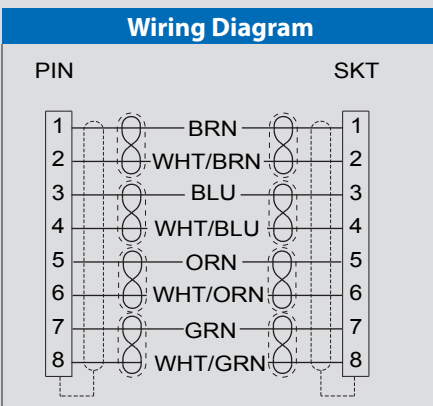
El Ochito® Red Pin-Socket Cable Assembly 8573-0024



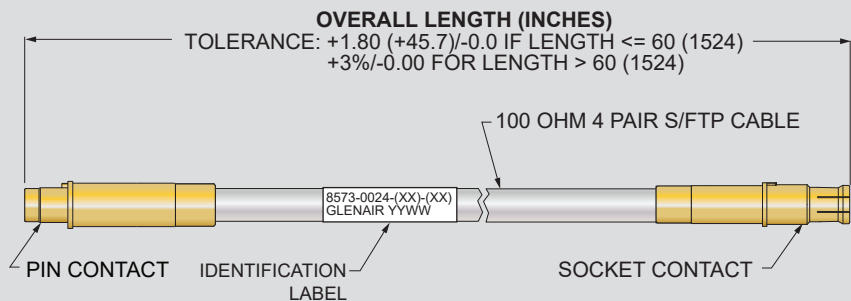
El Ochito® Red for Multi-Gigabit 100 Ohm Datalinks, pin contact mating face



Technical Data	
<ul style="list-style-type: none"> Refer to individual contact data sheets for construction details 100% tested for shorts, continuity and IR 	
<ul style="list-style-type: none"> Operating temp. (cable jacket): -1: -65° to +175° C -2: -40° to +90° C -3: -65° to +175° C 	
<ul style="list-style-type: none"> Impedance: 100 ohms DWV: 300 Vrms Current Rating: 1.5 A IR: 10 megohms min. Durability: 500 mating cycles 	



Save assembly time and cost with pre-wired, 100% tested El Ochito® Red assemblies for multi-gigabit datalinks. These single-ended cables have El Ochito® Red octaxial contacts terminated to Glenair general purpose, aerospace-grade 100 ohm shielded twisted pair cable. Suitable for Cat 6a, HDMI and DisplayPort protocol applications. Supplied with cable sealing boot. Designed to meet the requirements of MIL-DTL-38999 and SAE AS39029. *El Ochito® contacts must be installed in keyed connectors before mating to prevent misalignment and contact damage.*



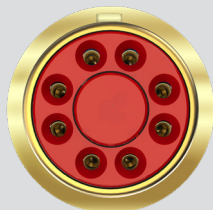
Pre-Wired El Ochito® Red Pin-Socket Cable Assemblies					
	Sample Part Number	8573-0024	-01	-02	-48
Product	8573-0024 = Pre-wired El Ochito® Red Pin-to-Socket Assemblies.				
El Ochito® Contact P/N	See Table 1				
Cable Jacket	1 = Duraelectric Jacket 2 = Polyurethane LSZH 3 = FEP				
Length	Length in Inches (12 inch minimum)				

Table 1 Order Code				
Order Code	Pin Contact Part No.	Skt Contact Part No.	Data Protocol	Cable
03	858-049-01	858-050-01	High Speed, > 1 Gbps	963-122-X 26 AWG

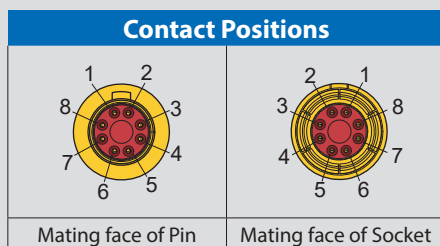
Series 806 Mil-Aero Connectors



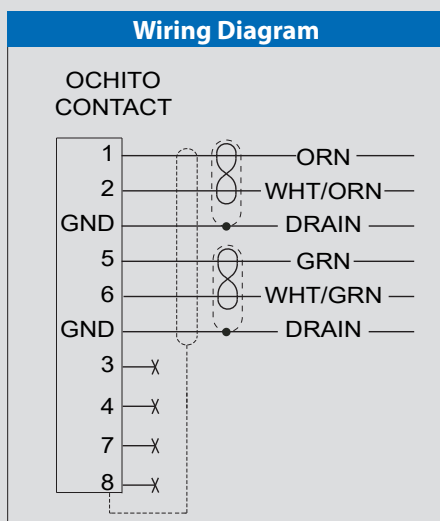
El Ochito® Red Single-Ended Cable Assembly 8573-0036



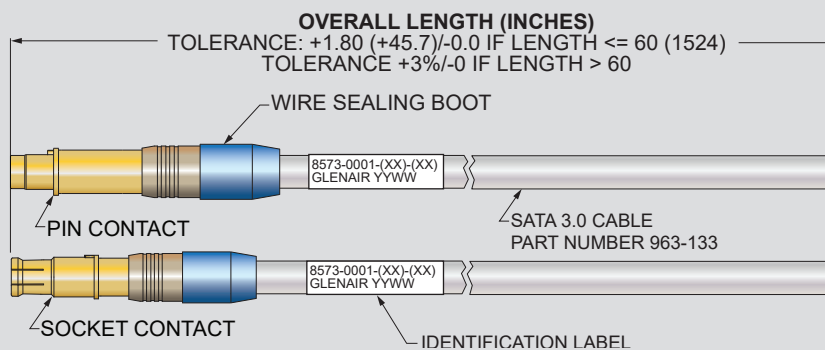
El Ochito® Red for SATA 3.0 100 Ohm Datalinks, pin contact mating face



Technical Data	
<input type="checkbox"/>	Refer to individual contact data sheets for construction details
<input type="checkbox"/>	100% tested for shorts, continuity and IR
<input type="checkbox"/>	Operating temp.: -65° to +175°C
<input type="checkbox"/>	Impedance: 100 ohms
<input type="checkbox"/>	DWV: 300 VAC 5 sec. max
<input type="checkbox"/>	Current Rating: 1.5 A
<input type="checkbox"/>	IR: conductor to conductor and conductor to shell at 150 VDC/10 megohms min. IAW MIL-STD-202, method 302
<input type="checkbox"/>	Durability: 500 mating cycles



Save assembly time and cost with pre-wired, 100% tested El Ochito® Red assemblies for datalinks up to 3Gbps. These single-ended cables have El Ochito® Red octaxial contacts terminated to twin-ax parallel pair 100 ohm SATA cable. Supplied with cable sealing boot. Designed to meet the requirements of MIL-DTL-38999 and SAE AS39029. *El Ochito® contacts must be installed in keyed connectors before mating to prevent misalignment and contact damage.*

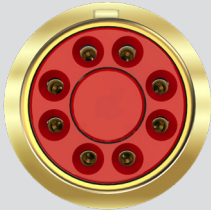


El Ochito® Red Single-Ended Cable Assemblies			
	Sample Part Number	-05	-36
Product	8573-0036 = Pre-wired El Ochito® contact, single-ended		
El Ochito® Contact P/N	See Table 1		
Length	Length in Inches (12 inch minimum)		

Table 1 Order Code				
Order Code	Contact Part No.	Pin/Skt	Data Protocol	Cable
03	858-049-02F	Pin	SATA 3.0	963-133 24 AWG
06	858-050-02F	Socket	SATA 3.0	963-133 24 AWG

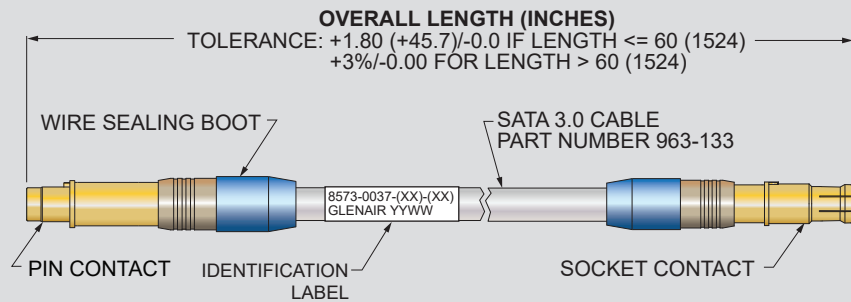
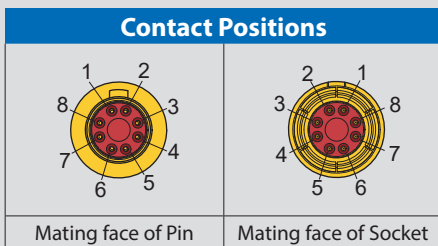
Series 806 Mil-Aero Connectors

El Ochito® Red Pin-Socket Cable Assembly 8573-0037



El Ochito® Red for SATA 3.0 100 Ohm Datalinks, pin contact mating face

Save assembly time and cost with pre-wired, 100% tested El Ochito® Red assemblies for datalinks up to 3Gbps. These pin-to-socket cables have El Ochito® Red octaxial contacts terminated to twin-ax parallel pair 100 ohm SATA cable. Supplied with cable sealing boots. Designed to meet the requirements of MIL-DTL-38999 and SAE AS39029. *El Ochito® contacts must be installed in keyed connectors before mating to prevent misalignment and contact damage.*



Technical Data	
<input type="checkbox"/>	Refer to individual contact data sheets for construction details
<input type="checkbox"/>	100% tested for shorts, continuity and IR
<input type="checkbox"/>	Operating temp.: -65° to +175°C
<input type="checkbox"/>	Impedance: 100 ohms
<input type="checkbox"/>	DWV: 300 VAC 5 sec. max
<input type="checkbox"/>	Current Rating: 1.5 A
<input type="checkbox"/>	IR: conductor to conductor and conductor to shell at 150 VDC/10 megohms min. IAW MIL-STD-202, method 302
<input type="checkbox"/>	Durability: 500 mating cycles

Pre-Wired El Ochito® Red Pin-Socket Cable Assemblies			
Sample Part Number	8573-0037	-03	-48
Product	8573-0037 = Pre-wired El Ochito® Red Pin-to-Socket Assemblies.		
El Ochito® Contact P/N	See Table 1		
Length	Length in Inches (12 inch minimum)		

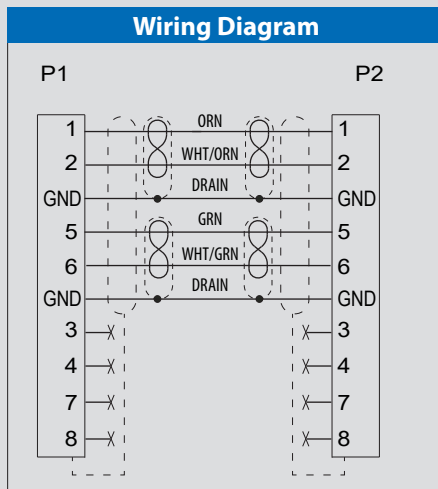


Table 1 Order Code				
Order Code	Pin Contact Part No.	Skt Contact Part No.	Data Protocol	Cable
03	858-049-02F	858-050-02F	SATA 3.0	963-133 24 AWG