

Series 806 Mil-Aero Connectors

Size 8, 50 Ohm Matched-Impedance Coaxial RF Contacts



Coax Contacts. Compatible with Series 806 connectors with size 8 contact cavities. Crimp termination. 50 Ohm nominal impedance. DC - 6 GHz frequency range. Inner contact is solder type, shield termination is crimp type. Supplied as unassembled kit with contact body, center contact font and rear dielectric, retainer, clamp nut, crimp sleeve, sealing boot and instruction sheet. Contacts are snap-in, rear-release.

Table I: Part Number and Cable Accomodation				
PART NUMBER		CABLES ACCOMMODATED	Max Freq.	"A" HEX
PIN	SOCKET			
852-149-01F	852-148-01F	M17/152-00001 (RG316DS)	6 GHz	0.128 (3.25)
852-149-02F	852-148-02F	M17/113-RG316	3 GHz	0.128 (3.25)
852-149-03F	852-148-03F	M17/060-RG142; M17/128-RG400		0.213 (5.41)
852-149-04F	852-148-04F	M17/28-RG58		0.213 (5.41)
852-149-05F	852-148-05F	LLSB-200; LMR-195	2.5 GHz	0.213 (5.41)

Grommet follower (F) optional; omit if not needed

Specifications

- Operating temperature: -65°C to +200°C
- Differential Impedance: 100 Ohms nominal
- Dielectric withstanding voltage: 500 VRMS
- Insulation resistance: 5000 megohms min at 200 VDC

Construction

- Contact CODY: Copper alloy / gold plated
- Inner Contact: Copper alloy / gold plated
- Crimp Ferrule: Brass or equivalent / gold plated
- Insulator: Teflon, Ultem Series 1000 or equivalent
- Grommet follower: see separate drawing

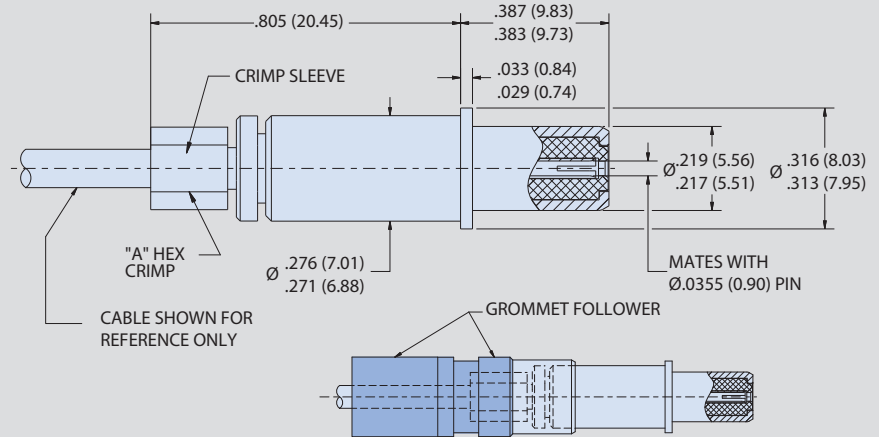
Termination Tools

- For Dash No. -1 thru -5:**
- For -01 and -02**
Inner contact: solder
Outer shield crimp tool: M22520/5-01
Outer shield die sett: M22520/5-03
- For -03, 04, 05**
Center contact: solder
Outer contact crimp tool: M22520/5-01
Outer contact Die-set: M22520/5-05

Assembly Instructions

- 852-148-01F: AI85164
- 852-149-01F: AI85165
- 852-148-02F: AI85171
- 852-149-02F: AI85171
- 852-148-03F: AI85172
- 852-149-03F: AI85172
- 852-148-04F: AI85173
- 852-149-04F: AI85173
- 852-148-05F: AI85166
- 852-149-05F: AI85166

Pin Contact 852-149



Socket Contact 852-148

