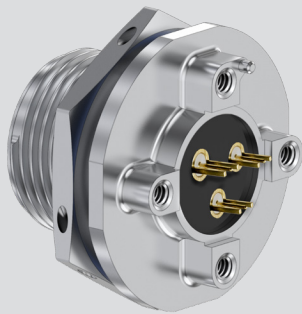


Series 806 Mil-Aero Connectors



806-058 Receptacle Coax PC Tail Contacts for 50 / 75 ohm Cable



806-058 Panel mount jam-nut receptacle is similar to our 806-022 but adds size 16 and 12 potted-in-place coaxial contacts for 50 or 75 ohm cable. Connector includes integral standoffs and threaded holes for secure attachment to rigid or flex circuit boards. Gold-plated terminals are factory-installed, non-removeable and sealed with epoxy. Boss on shell flange guarantees correct connector orientation. These high performance connectors are suitable for harsh environmental areas such as unpressurized aircraft zones subject to vibration, moisture, altitude, and temperature extremes.

Features

- Triple-start stub ACME mating thread
- Size #16, 50 ohm or #12, 75 ohm contacts
- Aerospace-grade materials, construction
- Integral PC board standoffs
- Threaded holes for secure attachment to rigid or flex circuits
- Alignment post

Specifications

- Operating temperature:
Finishes ME, MT, Z1: -65°C to +200°C
Finishes NF, ZR: -65°C to +175°C
- Dielectric withstanding voltage
#16 shielded contacts: 800 VAC
#12 shielded contacts: varies, contact factory
- Mating durability: 500 cycles
- Mechanical shock: EIA-364-27, 300g.
- Vibration (sine): MIL-DTL-38999M, 60g.
- Vibration (random) EIA-364-28 Condition VI, Letter J, 43.92 Grms, +200°C
- High Impact shock: MIL-S-901 Grade A
- Humidity: EIA-364-31 Method 4
- Salt spray (dynamic): EIA-364-26, 500 hours (96 hours for nickel-plated versions)
- Fluid immersion: EIA-364-10
- Altitude immersion: EIA-364-03 75,000 feet altitude
- Indirect Lightning Strike: EIA-364-75 Type B Level 2 10kA Peak

Connector Construction

- Shell and jam-nut: aluminum or stainless steel
- Contacts: copper alloy, gold plating
- Potting compound: epoxy
- Dielectric inserts: high grade rigid dielectric
- Panel O-ring: fluorosilicone

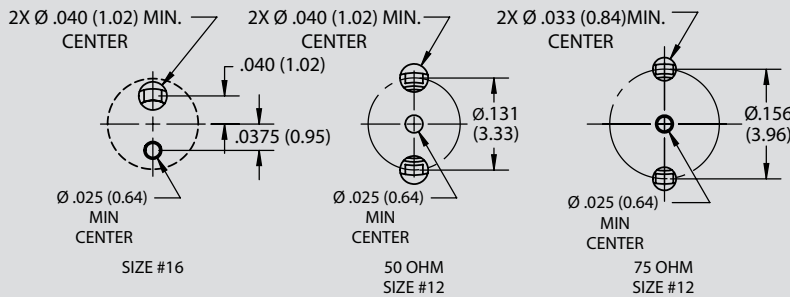
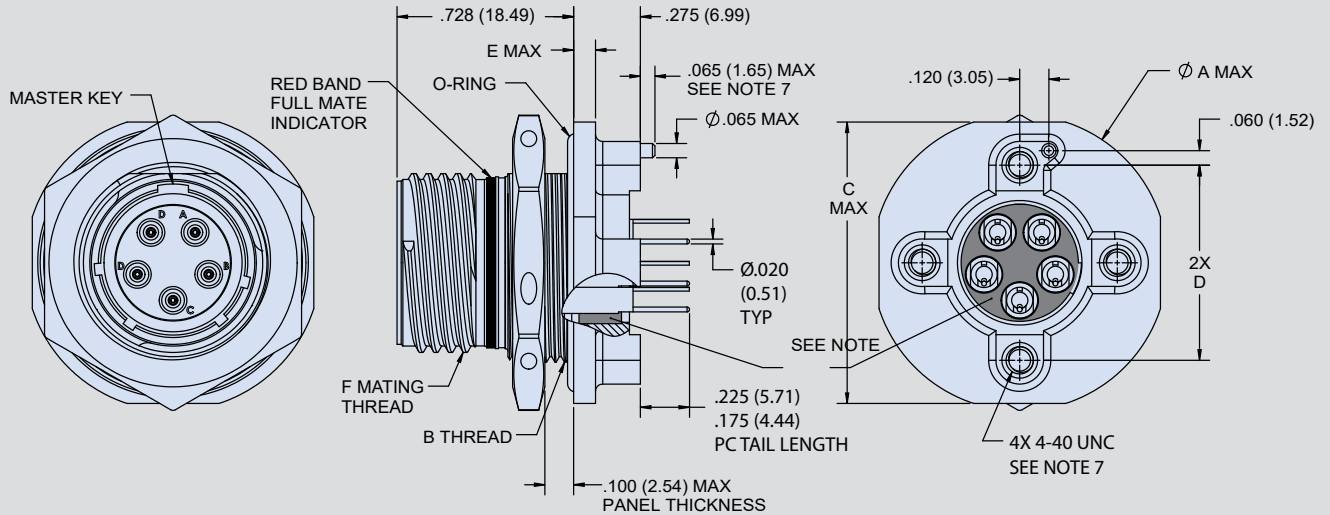
How To Order						
SAMPLE PART NUMBER		806-058	-ME	12-5	P1	A
Product	806-058 = Jam-nut Receptacle with PC Tails					
Shell Material and Finish	ME = Aluminum, Electroless Nickel MT = Aluminum, Ni/PTFE ZR = Aluminum, Black Zinc-Nickel NF = Aluminum, Olive Drab Cadmium Z1 = Stainless Steel, Passivated					
Arrangement Number (Shell Size - Insert Arr.)	See Table 1					
Contact Type	See Coax Contacts Table					
Polarization	A B C D E F					

Table I: Shell Size - Insert Arrangement											
Contact Layout	Number of Contacts			Contact Layout	Number of Contacts			Contact Layout	Number of Contacts		
	22HD	16	12		22HD	16	12		22HD	16	12
8-1		1		9-1			1	11-13	11	2	
10-2		2		12-2			2	12-27	26	1	
11-4		4		14-3			3	14-21	17	4	
12-5		5		16-4			4	16-41	37	4	
14-7		7		16-7			7	18-59	55	4	
16-12		12		18-8			8	11-14	13		1
18-15		15		20-11			11	12-14	12		2
20-22		22		22-13			13	14-22	20		2
22-24		24		24-19			19	12-14	12		2
24-35		35		10-8A	6	2		16-42	40		2
								18-62	60		2

Series 806 Mil-Aero Connectors



806-058 Receptacle Coax PC Tail Contacts for 50 / 75 ohm Cable



COAX PCB FOOTPRINT

Coax Contacts		
Contact Description	Contact Type	
50 ohm Coax	Pin	P1
	Socket	S1
75 ohm Coax	Pin	P2
	Socket	S2

806-058 Receptacle Dimensions						
Shell Size	øA Max	B Thread	C Max	D	E Max	F Mating Thread
8	.980 (24.89)	M15x1.0-6g-0.100R	.920 (23.37)	.534 (13.56)	.100 (2.54)	.5000-.067P-.2L-TS-2A
9	1.040 (26.42)	M16x1.0-6g-0.100R	.980 (24.89)	.579 (14.71)	.100 (2.54)	.5625-.067P-.2L-TS-2A
10	1.110 (28.19)	M18x1.0-6g-0.100R	1.050 (26.67)	.679 (17.25)	.100 (2.54)	.6250-.067P-.2L-TS-2A
11	1.160 (29.46)	M19x1.0-6g-0.100R	1.110 (28.19)	.734 (18.64)	.100 (2.54)	.6875-.067P-.2L-TS-2A
12	1.230 (31.24)	M21x1.0-6g-0.100R	1.170 (29.72)	.804 (20.42)	.100 (2.54)	.7500-.067P-.2L-TS-2A
14	1.360 (34.54)	M24x1.0-6g-0.100R	1.320 (33.53)	.891 (22.63)	.100 (2.54)	.8750-.067P-.2L-TS-2A
16	1.515 (38.48)	M27x1.0-6g-0.100R	1.444 (36.68)	1.049 (26.64)	.100 (2.54)	1.0000-.067P-.2L-TS-2A
18	1.610 (40.89)	M30x1.0-6g-0.100R	1.570 (39.88)	1.148 (29.16)	.100 (2.54)	1.1250-.067P-.2L-TS-2A
20	1.850 (46.99)	M34x1.0-6g-0.100R	1.760 (44.70)	1.252 (31.80)	.128 (3.25)	1.2500-.067P-.2L-TS-2A
22	2.010 (51.05)	M37x1.0-6g-0.100R	1.913 (48.59)	1.369 (34.77)	.128 (3.25)	1.3750-.067P-.2L-TS-2A
24	2.195 (55.75)	M41x1.0-6g-0.100R	2.070 (52.58)	1.509 (38.33)	.128 (3.25)	1.5000-.067P-.2L-TS-2A

806-021 Jam-nut D-Hole Dimensions		
Shell Size	øA	B
	+0.005/-0.00 (+0.13/-0.00)	+0.005/-0.00 (+0.13/-0.00)
8	.256 (6.50)	.601 (15.27)
9	.287 (7.29)	.640 (16.26)
10	.719 (18.26)	.318 (8.08)
11	.350 (8.89)	.759 (19.28)
12	.381 (9.68)	.837 (21.26)
14	.955 (24.26)	.443 (11.25)
16	1.073 (27.25)	.505 (12.83)
18	1.192 (30.28)	.568 (14.43)
20	1.349 (34.26)	.630 (16.00)
22	1.467 (37.26)	.693 (17.60)
24	1.624 (41.25)	.755 (19.18)

