

ENVIRONMENTAL, MICRO MINIATURE CIRCULAR

Series 806

Mil-Aero Connectors

620V*080 Metal Strain Relief Cable Clamp



Strain relief clamp with anti-decoupling ratchet prevents loosening under vibration. Full radius saddle clamps prevent pinching of cables. Fits Series 806 connectors. Straight, 45° or 90° cable exit.

How To Order			
SAMPLE PART NUMBER	620VS080	MT	08
Product	620VS080 = Straight Strain Relief 620VB080 = 45° Strain Relief 620VA080 = 90° Strain Relief		
Material/ Finish	ME = Aluminum, Electroless Nickel MT = Aluminum, Ni/PTFE ZR = Aluminum, Black Zinc-Nickel NF = Aluminum, Olive Drab Cadmium		
Shell Size	07 08 09 10 11 12 14 16 18 20 22 24		

Features

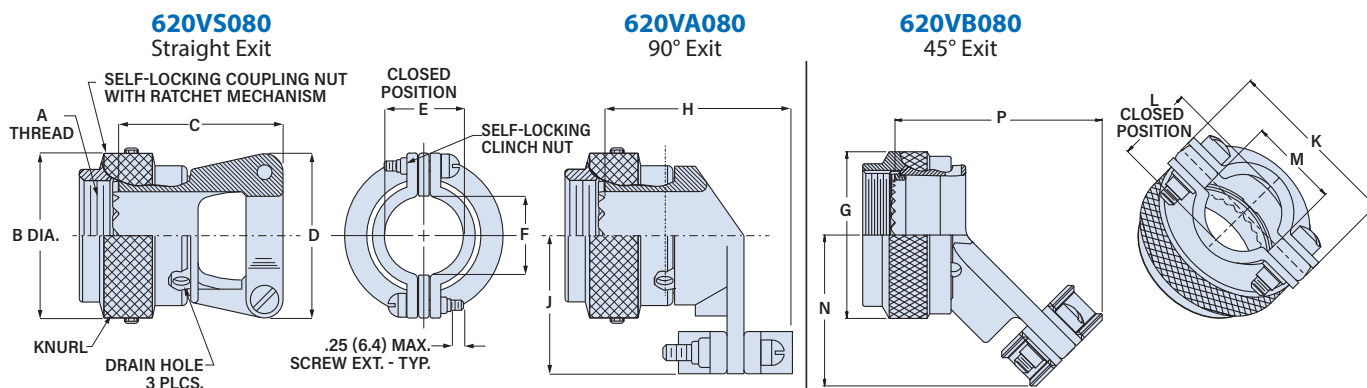
- Straight, 45° and 90°
- Self-locking spin coupling
- Fits Series 806 micro miniature connectors
- Captive threaded inserts

Specifications

- Operating temperature: codes ME and MT: -65°C to +200°C codes ZR, NF, NFP: -65°C to +175°C
- Salt spray (corrosion)
Code ME: 96 hours
Code NF, ZR, MT: 1000 hours
- Vibration, shock: SAE AS85049 Category 4C

Construction

- Clamp, body, saddles, coupling nut: aluminum alloy. See material/finish options in How to Order table for options.
- Hardware: 300 series stainless steel
- Anti-decoupling device: corrosion-resistant material



Shell Size	A ISO Metric Thd	øB Max.	C Max.	D Max.	E ±.031 (0.79)	F Min.	H Max.	J Max.	ØG Max.	K Max.	J ±.031	M Min.	N Max.	P Max.
07	M8 x 1.0-6H	.58 (14.73)	.780 (19.81)	.77 (19.56)	.209 (5.31)	.21 (5.33)	1.02 (25.91)	.83 (21.08)	-	-	-	-	-	-
08	M10 x 1.0-6H	.64 (16.26)	.780 (19.81)	.83 (21.08)	.269 (6.83)	.27 (6.86)	1.04 (26.42)	.87 (22.10)	.79 (20.07)	.89 (22.61)	.265 (6.73)	.27 (6.86)	.96 (24.38)	1.43 (36.32)
09	M12 x 1.0-6H	.74 (18.80)	.840 (21.34)	.91 (23.11)	.346 (8.79)	.35 (8.89)	1.06 (26.92)	.91 (23.11)	.79 (20.07)	.89 (22.61)	.265 (6.73)	.27 (6.86)	.96 (24.38)	1.43 (36.32)
10	M14 x 1.0-6H	.80 (20.32)	.900 (22.86)	.97 (24.64)	.410 (10.41)	.42 (10.67)	1.08 (27.43)	.95 (24.13)	.91 (23.11)	1.00 (25.40)	.310 (7.87)	.31 (7.87)	1.05 (26.67)	1.50 (38.10)
11	M15 x 1.0-6H	.84 (21.34)	.960 (24.38)	1.08 (27.43)	.430 (10.92)	.44 (11.18)	1.10 (27.94)	.97 (24.64)	.91 (23.11)	1.00 (25.40)	.310 (7.87)	.31 (7.87)	1.05 (26.67)	1.50 (38.10)
12	M17 x 1.0-6H	.92 (23.37)	1.060 (26.92)	1.14 (28.96)	.488 (12.40)	.49 (12.45)	1.15 (29.21)	1.03 (26.16)	1.02 (25.91)	1.27 (32.26)	.390 (9.91)	.39 (9.91)	1.11 (28.19)	1.55 (39.37)
14	M19 x 1.0-6H	1.02 (25.91)	1.100 (27.94)	1.20 (30.48)	.530 (13.46)	.54 (13.72)	1.18 (29.97)	1.06 (26.92)	1.02 (25.91)	1.27 (32.26)	.390 (9.91)	.39 (9.91)	1.11 (28.19)	1.55 (39.37)
16	M22 x 1.0-6H	1.16 (29.46)	1.100 (27.94)	1.29 (32.77)	.620 (15.75)	.63 (16.00)	1.30 (33.02)	1.16 (29.46)	1.18 (29.97)	1.38 (35.05)	.506 (12.85)	.51 (12.95)	1.18 (29.97)	1.65 (41.91)
18	M25 x 1.0-6H	1.26 (32.00)	1.230 (31.24)	1.41 (35.81)	.700 (17.78)	.71 (18.03)	1.38 (35.05)	1.34 (34.04)	1.31 (33.27)	1.48 (37.59)	.591 (15.01)	.59 (14.99)	1.23 (31.24)	1.77 (44.96)
20	M28 x 1.0-6H	1.40 (35.56)	1.410 (35.81)	1.59 (40.39)	.778 (19.76)	.78 (19.81)	1.46 (37.08)	1.41 (35.81)	1.42 (36.07)	1.58 (40.13)	.661 (16.79)	.66 (16.76)	1.29 (32.77)	1.81 (45.97)
22	M31 x 1.0-6H	1.52 (38.61)	1.510 (38.35)	1.66 (42.16)	.850 (21.59)	.86 (21.84)	1.58 (40.13)	1.53 (38.86)	1.54 (39.12)	1.68 (42.67)	.744 (18.90)	.74 (18.80)	1.37 (34.80)	1.86 (47.24)
24	M34 x 1.0-6H	1.64 (41.66)	1.660 (42.16)	1.77 (44.96)	.961 (24.41)	.97 (24.64)	1.62 (41.15)	1.66 (42.16)	1.65 (41.91)	1.80 (45.72)	.826 (20.98)	.83 (21.08)	1.42 (36.07)	1.90 (48.26)