

SERIES 811 HIGH-DENSITY DOUBLE-START Mighty Mouse Connectors and Cables Jam-Nut Receptacle Connector Pigtails



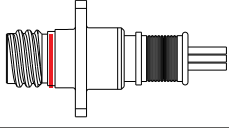
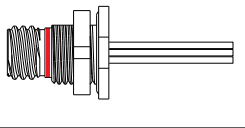
Jam-Nut Pre-Wired Receptacles Series 811 Mighty Mouse High Density rear panel mount jam-nut receptacles feature damage-resistant double-start ACME mating threads. These receptacles are factory-terminated to insulated wire and backpotted with epoxy. The TwistPin contact system meets requirements of MIL-DTL-83513 and provides outstanding resistance to high levels of shock and vibration. Choose Type K general purpose Teflon® wire or Type J lightweight space-grade Tefzel® wire. 3A current rating, 600 VAC dielectric withstanding voltage.

| How To Order | |
|---------------------------------|---|
| Sample Part Number | 811-003-07 MT 5-7 P A 6 K 7 -18 |
| Series | 811-003-07 = Jam-Nut Mount with Band Platform 811-004-07 = Low Profile Jam-nut Mount, no Band Platform |
| Material/Finish | See Material and Finish Table |
| Shell Size - Insert Arr. | 5-7 = 7 Contacts 6-12 = 12 Contacts 7-22 = 22 Contacts 8-30 = 30 Contacts 9-42 = 42 Contacts |
| Contact Type | P = Pin Contacts S = Socket Contacts |
| Key Position | A = Normal Alternate Key Positions: B, C, D, E, F |
| Wire size | 6 = #26 AWG 8 = #28 AWG (Color code 1 or 7 only) 0 = #30 AWG (Wire Type J, color code 1 or 7 only) |
| Wire Type | K = M22759/11 J = M22759-33 E = NEMA HP3-EB |
| Wire Color | 1 = White 5 = Color code per MIL-STD-681 (striped)* 7 = 10 Solid colors, repeating |
| Wire Length (inches) | 12, 18, 36, 72 Specify any length from 2 inches to 144 inches |

*Size 28 AWG and Size 30 AWG J type wire not available in striped color code 5

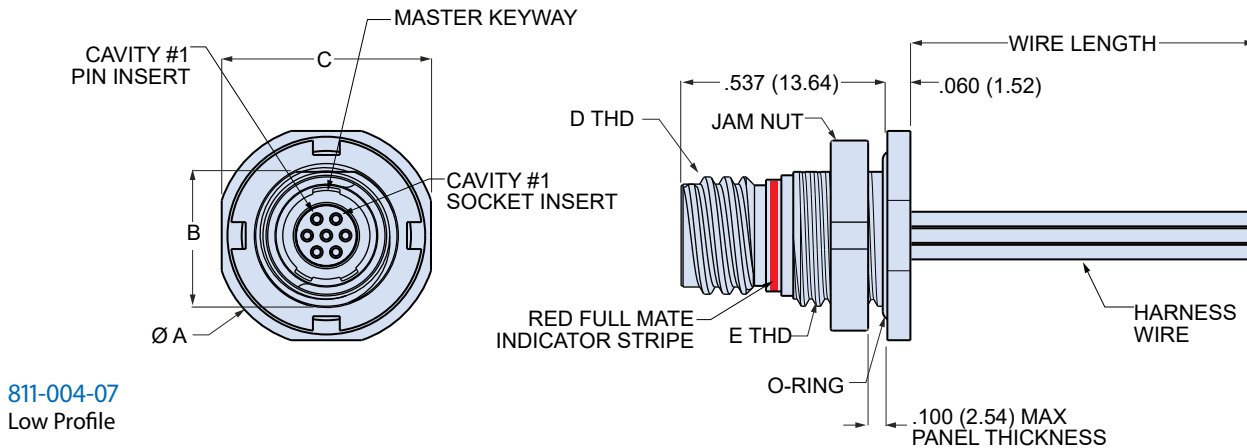
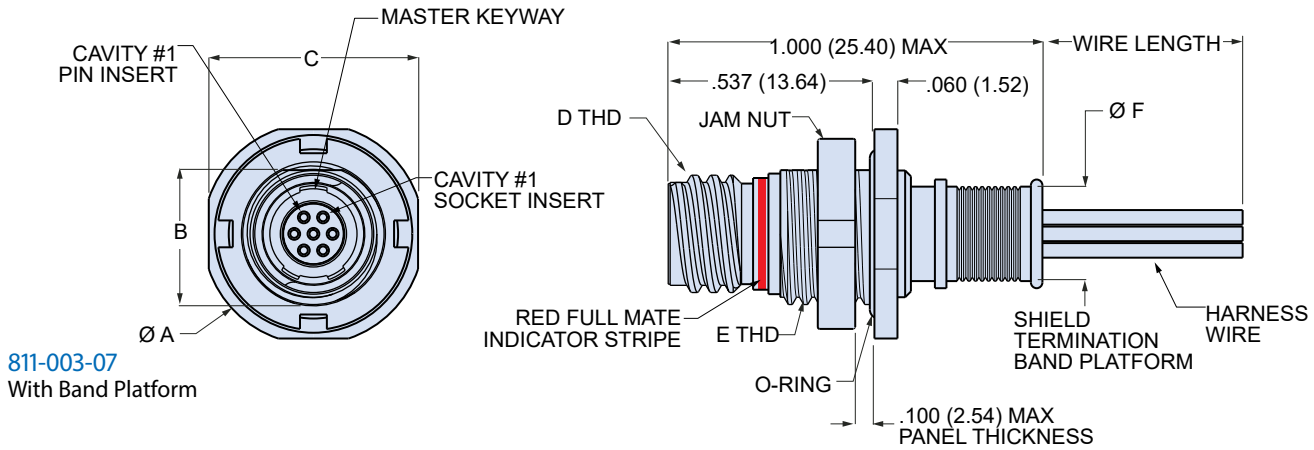
| Material and Finish | | |
|---------------------|-----------------|---------------------------------|
| Code | Material | Finish |
| ME | Aluminum | Electroless Nickel |
| MT | Aluminum | Nickel-PTFE |
| ZNU* | Aluminum | Zinc-Nickel with Black Chromate |
| ZR* | Aluminum | Zinc-Nickel with Black Chromate |
| Z1 | Stainless Steel | Passivated |

* **ZR** and **ZNU** plating are identical, RoHS compliant and non-reflective. Capable of 500 hour dynamic corrosion performance

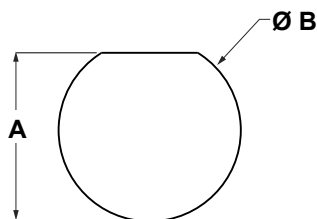
| Table I: Series | |
|--|---|
|  |  |
| 811-003-07 Panel Mount Jam-nut Receptacle Banding Platform | 811-004-07 Low Profile Panel Mount Jam-nut Receptacle, No Band Platform |

SERIES 811 HIGH-DENSITY

JAM-NUT, LOW PROFILE RECEPTACLE WITH OR WITHOUT SHIELD TERMINATION BAND PLATFORM



| Dimensions | | | | | | | | | | |
|------------|------|-------|------|-------|------|-------|-------------------|-------------|------|-------|
| Shell Size | Ø A | | B | | C | | D Thread | E THD UN-2A | Ø F | |
| | In. | mm. | In. | mm. | In. | mm. | | | In. | mm. |
| 5 | .575 | 14.61 | .350 | 8.89 | .545 | 13.84 | .3125-.05P-.1L-2A | .375-28 | .246 | 6.25 |
| 6 | .635 | 16.13 | .410 | 10.41 | .595 | 15.11 | .3750-.05P-.1L-2A | .4375-28 | .286 | 7.26 |
| 7 | .755 | 19.18 | .536 | 13.61 | .723 | 18.36 | .4375-.05P-.1L-2A | .5625-32 | .391 | 9.93 |
| 8 | .755 | 19.18 | .536 | 13.61 | .723 | 18.36 | .5000-.05P-.1L-2A | .5625-32 | .443 | 11.25 |
| 9 | .830 | 21.08 | .596 | 15.14 | .790 | 20.07 | .5625-.05P-.1L-2A | .625-28 | .498 | 12.65 |



| Panel Cutout | | | | |
|--------------|----------|----------|----------|----------|
| Shell Size | A | | B Ø | |
| | In.±.002 | mm.±0.05 | In.±.002 | mm.±0.05 |
| 5 | .356 | 9.04 | .385 | 9.78 |
| 6 | .416 | 10.57 | .447 | 11.35 |
| 7 | .542 | 13.77 | .572 | 14.53 |
| 8 | .542 | 13.77 | .572 | 14.53 |
| 9 | .602 | 15.29 | .635 | 16.13 |