

SERIES 811 HIGH-DENSITY DOUBLE-START Mighty Mouse Connectors and Cables



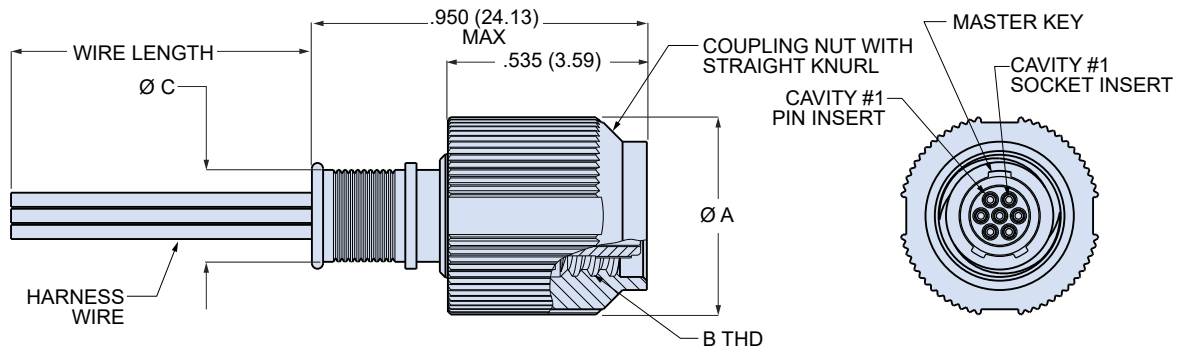
Pre-Wired Cable Plug Connector Pigtails



Pre-Wired Cable Plug Connectors Series 811 Mighty Mouse High-Density plugs feature damage-resistant double-start ACME mating threads and integral shielding/overmolding platforms. These plugs are factory-terminated to insulated wire and backpotted with epoxy. The TwistPin contact system meets requirements of MIL-DTL-83513 and provides outstanding resistance to high levels of shock and vibration. Choose Type K general purpose Teflon® wire or Type J lightweight space-grade Tefzel® wire. 3A current rating, 600 VAC dielectric withstanding voltage.

How To Order									
Sample Part Number	811-001-06	MT	5-7	P	A	6	K	7	-18
Series	811-001-06 = Plug with Standard Coupling								
Material/Finish	See Material and Finish Table								
Shell Size - Insert Arr.	5-7 = 7 Contacts 6-12 = 12 Contacts 7-22 = 22 Contacts 8-30 = 30 Contacts 9-42 = 42 Contacts								
Contact Type	P = Pin Contacts S = Socket Contacts								
Key Position	A = Normal Alternate Key Positions: B, C, D, E, F								
Wire size	6 = #26 AWG 8 = #28 AWG (color code 1 or 7 only) 0 = #30 AWG (Wire Type J, color code 1 or 7 only)								
Wire Type	K = M22759/11 J = M22759-33 E = NEMA HP3-EB								
Wire Color	1 = White 5 = Color code per MIL-STD-681 (striped)* 7 = 10 Solid colors, repeating								
Wire Length (inches)	12, 18, 36, 72 Specify any length from 2 inches to 144 inches								

*Size 28 AWG and Size 30 AWG J type wire not available in striped color code 5



Material and Finish		
Code	Material	Finish
ME	Aluminum	Electroless Nickel
MT	Aluminum	Nickel-PTFE
ZNU*	Aluminum	Zinc-Nickel with Black Chromate
ZR*	Aluminum	Zinc-Nickel with Black Chromate
Z1	Stainless Steel	Passivated

* ZR and ZNU plating are identical, RoHS compliant and non-reflective. Capable of 500 hour dynamic corrosion performance

Dimensions					
Shell Size	Ø A		B Thread	Ø C	
	In.	mm.		In.	mm.
5	.540	13.72	.3125-.05P-.1L-2B	.246	6.25
6	.600	15.24	.375-.05P-.1L-2B	.286	7.26
7	.730	18.54	.4375-.05P-.1L-2B	.391	9.93
8	.800	20.32	.5000-.05P-.1L-2B	.443	11.25
9	.862	21.89	.5625-.05P-.1L-2B	.498	12.65

SERIES 811 HIGH-DENSITY