



# SERIES 805 TRIPLE-START ACME THREAD Mighty Mouse Connectors and Cables



## Glass-Sealed Hermetic Receptacle with Solder Cups and Integral Shield Termination Platform



**PCB Hermetic Receptacle Connectors** feature integral banding porch for use with Band-Master® stainless steel band (sold separately) and power and signal solder cup contacts for direct to wire attachment. Available square flange–front or rear panel mount, solder mount, jam-nut, and weld mount shell styles. Connectors are 100% tested to meet  $1 \times 10^{-7}$  ccHe/sec at 1 atm helium leak rate. Contacts are non-removable, back potted, and parylene compatible. Consult factory for additional arrangements.

How To Order	
<b>Sample Part Number</b>	805-019 -02 Z1 8-7 P A
<b>Series</b>	805-019 = Hermetic Receptacle with Solder Cups and Integral Banding Porch
<b>Shell Style (See Table I)</b>	-02 = Square Flange, Front or Rear Mount Receptacle -03 = Solder Mount Receptacle -07 = Jam-Nut, Rear Panel Mount Receptacle
<b>Material and Finish</b>	Z1 = Stainless Steel / Passivated ZB = Stainless Steel / Olive Drab Chromate over Cadmium ZC = Stainless Steel / Zinc Cobalt Alloy/Black Chromate ZL = Stainless Steel / Electrodeposited Nickel ZN = Stainless Steel / Zinc Nickel/Olive Drab over Electroless Nickel ZU = Stainless Steel / Cadmium Black
<b>Shell Size - Insert Arrangement</b>	See page J-6. See section B for PCB footprints
<b>Contact Type</b>	P = Pin, Solder Cup      S = Socket, Solder Cup
<b>Shell Key Positions (See Table II)</b>	A = Normal   B = Pos. B   C = Pos. C   D = Pos. D   E = Pos. F   F = Pos. F

Table I: Shell Style		
-02 Square Flange	-07 Jam-Nut	-03 Solder Mount

Table II: Key Positions		
<b>Position</b>	<b>A</b>	<b>B</b>
<b>A (Normal)</b>	150°	210°
<b>B</b>	75°	210°
<b>C</b>	95°	230°
<b>D</b>	140°	275°
<b>E</b>	75°	275°
<b>F</b>	95°	210°

DWV Rating	
Contact Sizes	Test Voltage
23	750 Vac
20 HD	1000 Vac
16, 12, 8	1800 Vac

### NOTES

1. This connector mates with all quick coupling high density plug connectors with same polarization and opposite contact gender 805-001, 805-002
2. For additional insert arrangements consult factory
3. Contacts are non removable and connector is back potted
4. Hermeticity is less than  $1 \times 10^{-7}$  ccHe/second at one atmosphere
5. See page J-11 for recommended panel cut-out

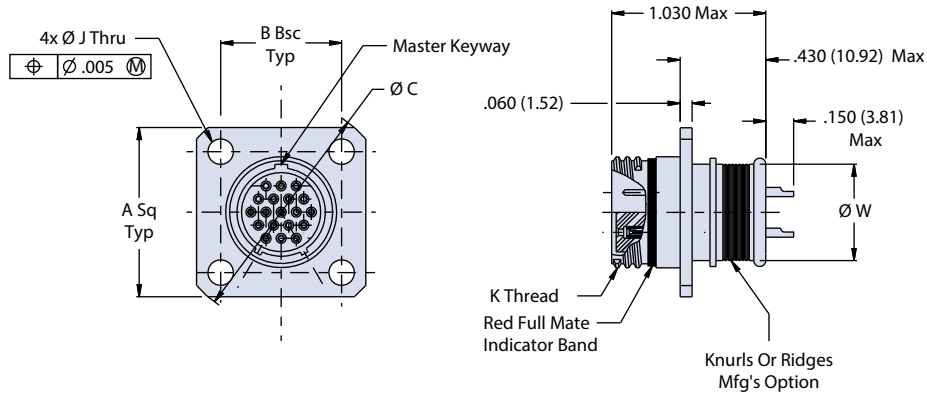


# SERIES 805 TRIPLE-START ACME THREAD Mighty Mouse Connectors and Cables

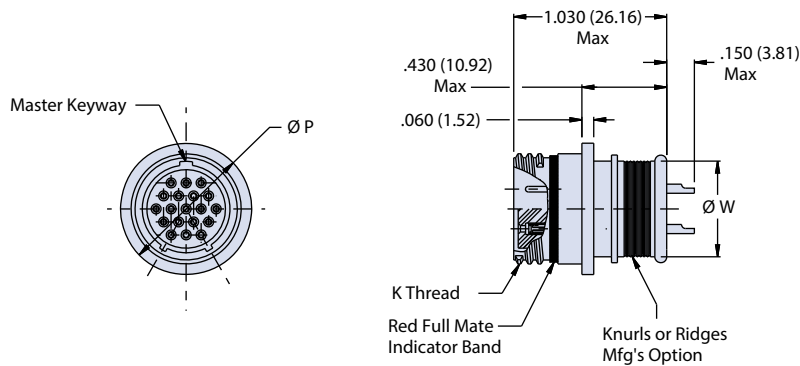


## Glass-Sealed Hermetic Receptacle with Solder Cups and Integral Shield Termination Platform

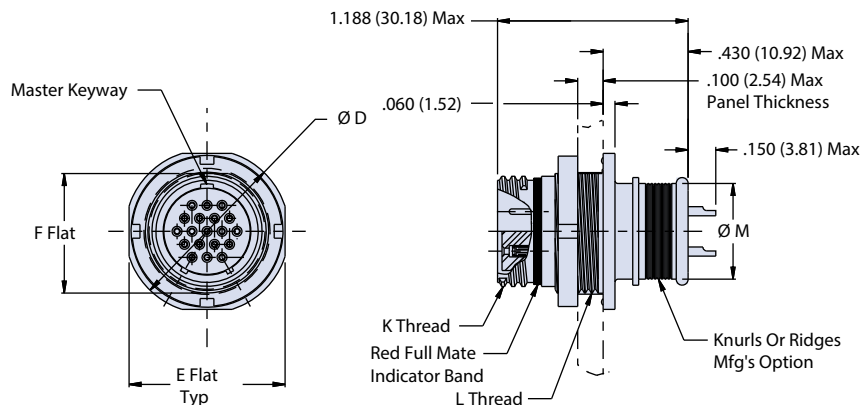
### SQUARE FLANGE RECEPTACLE - SHELL STYLE 02



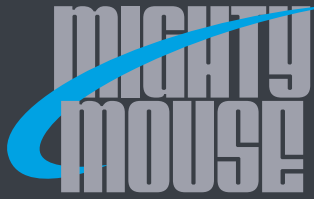
### SOLDER MOUNT RECEPTACLE - SHELL STYLE 03



### JAM-NUT MOUNT RECEPTACLE - SHELL STYLE 07



SERIES 805 TRIPLE-START ACME THREAD



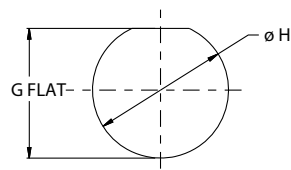
# SERIES 805 TRIPLE-START ACME THREAD Mighty Mouse Connectors and Cables



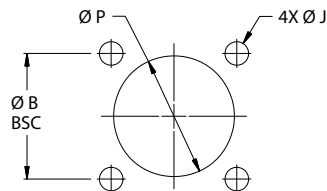
## Glass-Sealed Hermetic Receptacle with Solder Cups and Integral Shield Termination Platform

Table III: 805-019 Dimensions										
Shell Size	A Sq	B Bsc	Ø C	Ø D	E Flat	F Flat	J Holes	K Thread	Ø P	Ø W
8	.850 (21.59)	.660 (16.76)	1.150 (29.21)	.760 (19.30)	.730 (18.54)	.535 (13.59)	.096 (2.44) .091 (2.31)	.5000-.1P-.3L-TS	.625 (15.88)	.316 (8.03)
9	.913 (23.19)	.723 (18.36)	1.230 (31.24)	.880 (22.35)	.850 (21.59)	.661 (16.79)		.5625-.1P-.3L-TS	.688 (17.48)	.397 (10.08)
10	.975 (24.76)	.785 (19.94)	1.330 (33.78)	.880 (22.35)	.850 (21.59)	.661 (16.79)		.6250-.1P-.3L-TS	.750 (19.05)	.472 (11.99)
11	1.039 (26.39)	.848 (21.54)	1.410 (35.81)	.955 (24.26)	.925 (23.50)	.721 (18.31)		.6875-.1P-.3L-TS	.812 (20.62)	.519 (13.18)
12	1.099 (27.91)	.909 (23.09)	1.500 (38.10)	1.060 (26.92)	1.035 (26.29)	.784 (19.91)		.7500-.1P-.3L-TS	.875 (22.23)	.585 (14.86)
15	1.288 (32.72)	1.058 (26.87)	1.750 (44.45)	1.203 (30.56)	1.173 (29.79)	.970 (24.64)		.9375-.1P-.3L-TS	1.062 (26.97)	.687 (17.45)
18	1.475 (37.47)	1.255 (31.88)	2.000 (50.80)	1.389 (35.28)	1.359 (34.52)	1.147 (29.13)	.130 (3.30) .126 (3.20)	1.1250-.1P-.3L-TS	1.250 (31.75)	.884 (22.45)
19	1.537 (39.04)	1.327 (33.71)	2.094 (53.19)	1.450 (36.83)	1.420 (36.07)	1.221 (31.01)		1.1875-.1P-.3L-TS	1.312 (33.32)	.884 (22.45)
21	1.663 (42.24)	1.452 (36.88)	2.270 (57.66)	1.58 (40.13)	1.550 (39.37)	1.35 (34.29)		1.3125-.1P-.3L-TS	1.438 (36.53)	1.003 (25.48)
23	1.787 (45.39)	1.576 (40.03)	2.440 (61.98)	1.705 (43.31)	1.675 (42.55)	1.470 (37.34)		1.4375-.1P-.3L-TS	1.562 (39.67)	1.134 (28.80)

Panel Cut-Out Dimensions										
Shell Size	Jam-Nut, Rear Panel Mount		Square Flange, Rear Panel Mount							
	G Flat	Ø H	H BSC	J Holes	Ø P					
8	.545 (13.84)	.572 (14.53)	.660 (16.76)	.096 (2.43) .091 (2.31)	.515 (13.08)					
	.541 (13.74)	.567 (14.40)	.723 (18.36)		.578 (14.68)					
9	.671 (17.04)	.698 (17.73)	.785 (19.94)		.130 (.13) .126 (3.20)	.640 (16.26)				
	.667 (16.94)	.693 (17.60)	.848 (21.54)			.703 (17.86)				
10	.731 (18.57)	.760 (19.30)	.909 (23.09)			.130 (.13) .126 (3.20)	.765 (19.43)			
	.727 (18.47)	.755 (19.18)	.973 (24.71)				.828 (21.03)			
11	.794 (20.17)	.822 (20.88)	1.058 (26.87)				.130 (.13) .126 (3.20)	.953 (24.21)		
	.790 (20.07)	.817 (20.75)	1.255 (31.88)					1.140 (28.96)		
12	1.157 (29.39)	1.198 (30.43)	1.327 (33.71)					.130 (.13) .126 (3.20)	1.203 (30.56)	
	1.153 (29.29)	1.193 (30.30)	1.452 (36.88)						1.328 (33.73)	
13	1.231 (31.27)	1.260 (32.00)	1.570 (39.88)						.130 (.13) .126 (3.20)	1.453 (36.91)
	1.227 (31.17)	1.255 (31.88)								
15	1.358 (34.49)	1.383 (35.13)		.130 (.13) .126 (3.20)						
	1.354 (34.39)	1.381 (35.08)								
18	1.480 (37.59)	1.510 (38.35)			.130 (.13) .126 (3.20)					
	1.476 (37.49)	1.505 (38.23)								



Recommended Panel Cutout  
-07 Jam-Nut, Rear Panel Mount



Recommended Panel Cutout  
-02 Square Flange, Rear Panel Mount Only

### Material/Finish:

- Shell: SST / passivate or plate as required
- Contacts, hermetic: alloy 52 / gold plate
- Contacts, socket: copper alloy / gold plate
- Seals: fluorosilicone / N.A.
- Insulator, hermetic: fused vitreous glass / N.A.
- Insulator, socket: rigid dielectric / N.A.