



# SERIES 803 BAYONET-LOCK Mighty Mouse Connectors and Cables



## Panel Mound PC Tail or Solder Cup Receptacles



**803-005 Environmental, PCB Receptacle Connectors** feature low-profile shells for minimum protrusion inside enclosures as well as integral board standoffs for efficient board attachment. Contacts are non-removable. Specify 803-015 connectors for applications where open-face water immersion is a requirement.

**803-015 Water-Tight PCB Receptacle Connectors** are identical to 803-005, but are specially sealed ("MOD-518") and 100% tested to meet  $1 \times 10^{-7}$  ccHe/sec @ 1 atm helium leak rate. Connectors meet MIL-STD-810 Method 512G immersion requirements in unmated/open face condition.

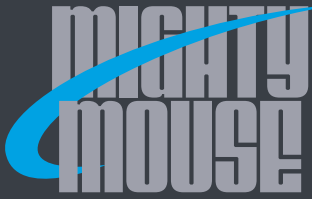
How To Order	
<b>Sample Part Number</b>	<b>803-005</b> <b>-02</b> <b>ZNU</b> <b>6-7</b> <b>S</b> <b>N</b>
<b>Series</b>	<b>803-005</b> = Receptacle, Solder Cup or PCB Contacts <b>803-015</b> = Receptacle, Solder Cup or PCB Contacts; Watertight
<b>Shell Style (See Table I)</b>	<b>-02</b> = Flange Mount <b>-07</b> = Jam-Nut
<b>Shell Material and Finish</b>	<b>C</b> = Aluminum / Black Anodize (Non-Conductive) <b>M</b> = Aluminum / Electroless Nickel <b>MT</b> = Aluminum / Nickel-PTFE <b>NF</b> = Aluminum / Cadmium with Olive Drab Chromate <b>ZNU</b> = Aluminum / Zinc-Nickel with Black Chromate <b>Z1</b> = Stainless Steel / Passivated
<b>Shell Size - Insert Arrangement</b>	See Contact Arrangements Page G-4
<b>Contact Type</b>	<b>P</b> = Pin, PC Tail <b>E</b> = Pin, Solder Cup <b>S</b> = Socket, PC Tail <b>F</b> = Socket, Solder Cup
<b>Polarization (See Table II)</b>	<b>N</b> = Normal <b>X</b> = Pos. X <b>Y</b> = Pos. y <b>Z</b> = Pos. Z

Table I: Shell Style

<b>-02</b> Flange Mount	<b>-07</b> Jam-Nut

Table II: Keyway Polarization

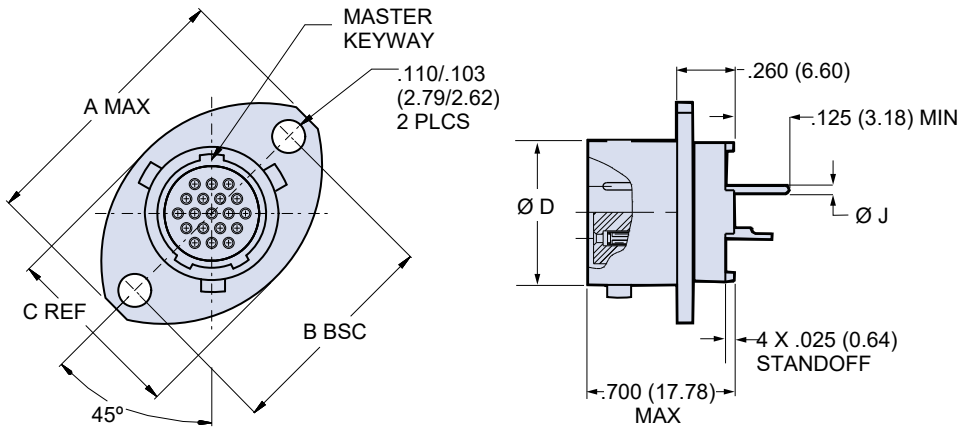
<b>Pos.</b>	<b>A°</b>	<b>B°</b>
N	150°	210°
X	75°	210°
Y	95°	230°
Z	140°	275°



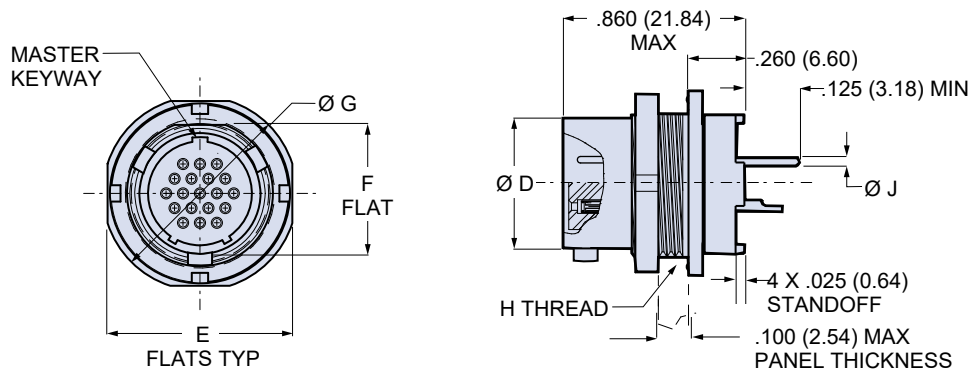
**SERIES 803 BAYONET-LOCK**  
**Mighty Mouse Connectors and Cables**  
**PC Tail or Solder Cup Receptacles**



**FLANGE MOUNT, FRONT OR REAR PANEL MOUNT RECEPTACLE**  
**SHELL STYLE 02**



**JAM-NUT, REAR PANEL MOUNT RECEPTACLE - SHELL STYLE 07**



**NOTES**

1. Hermeticity:  $1 \times 10^{-7}$  ccHe/sec at one atmosphere, not for use in liquid environment
2. Contacts are size 23, non removable, and connector is back-potted
3. For additional insert arrangements consult factory
4. Connector mates with all bayonet plug connectors with same polarization and opposite contact gender
5. See page G-7 for recommended panel cut-out dimensions
6. Material and Finish
  - Shell, jam-nut: Aluminum alloy or CRES / see how to order table
  - Insulator: High Grade Rigid Dielectric / N.A.
  - Interfacial seal, grommet seal: fluorosilicone / N.A.
  - Contact: copper alloy / gold plate per ASTM B 488, Type II, Class 1.25, over suitable underplate

Dimensions									
Shell Size	A Max.	B Bsc.	C Ref.	Ø D	E Flats	F Flat	Ø G	H Thread	Ø J Tail Dia.
5	.703 (17.86)	.513 (13.03)	.460 (11.68)	.300 (7.62)	.545 (13.84)	.350 (8.89)	.575 (14.60)	.3750-32 UNEF-2A	#23 .018/.022 (0.46/0.56)
6	.788 (20.02)	.598 (15.19)	.522 (13.26)	.362 (9.19)	.595 (15.11)	.410 (10.41)	.635 (16.13)	.4375-28 UNEF-2A	#20 .024/.028 (0.61/0.71)
7	.890 (22.61)	.708 (17.98)	.590 (14.99)	.436 (11.07)	.723 (18.36)	.536 (13.61)	.755 (19.18)	.5625-32 UN-2A	#16 .060/.064 (1.52/1.63)
8	1.154 (29.31)	.964 (24.49)	.668 (16.97)	.508 (12.90)	.790 (20.07)	.593 (15.06)	.755 (19.18)	.6250-28 UN-2A	#12 .092/.096 (2.34/2.44)
9	1.207 (30.66)	1.017 (25.83)	.721 (18.31)	.561 (14.25)	.790 (20.07)	.596 (15.14)	.830 (21.08)	.6250-28 UN-2A	
10	1.291 (32.79)	1.101 (27.97)	.795 (20.19)	.635 (16.13)	.925 (23.50)	.721 (18.31)	.890 (22.61)	.7500-28 UN-2A	
12	1.394 (35.41)	1.204 (30.58)	.874 (22.20)	.714 (18.14)	1.044 (26.52)	.845 (21.46)	1.078 (27.38)	.8750-28 UN-2A	
14	1.545 (39.24)	1.280 (32.51)	1.050 (26.67)	.865 (21.97)	1.230 (31.24)	1.022 (25.96)	1.264 (32.11)	1.0625-20 UN-2A	

SERIES 803 BAYONET-LOCK