

SERIES 801 DOUBLE-START ACME THREAD Mighty Mouse Connectors and Cables



Hermetic Solder Cup Receptacles with Integrated Accessory Threads or Banding Porch



Series 801 Hermetic Receptacles

Feature a double-start modified stub ACME mating thread for improved protection against cross-mating and thread damage. Stainless steel shells suitable for E-Beam welding. 100% tested to meet 1×10^{-7} ccHe/sec @ 1 atm helium leak rate. Four shell styles available including solder mount, weld mount, jam-nut, or square flange. Solder cup contacts for easy attachment of wires ideal for wire to board applications. Contacts are gold plated, nickel-iron.

How To Order	
Sample Part Number	801-106 -07 Z1 16-5 P A
Series	801-105 = Hermetic Receptacles with Accessory Threads 801-106 = Hermetic Receptacles with Band Platform
Shell Style (See Table I)	-02 = Square Flange, Front or Rear Panel Mount -03 = Solder Mount -07 = Jam-Nut, Rear Panel Mount -13 = Weld Mount
Material and Finish	Z1 = Stainless Steel / Passivated ZL = Stainless Steel / Nickel Plated
Shell Size - Insert Arrangement	See Contact Arrangements page E-7
Contact Type	P = Pin, Solder Cup S = Socket, Solder Cup
Polarization (See Table II)	A = Normal B = Pos. B C = Pos. C D = Pos. D E = Pos. E F = Pos. F

Table I: Shell Style

Style -02 Square Flange	Style -03 Solder Mount	Style -07 Jam-Nut	Style -13 Weld Mount

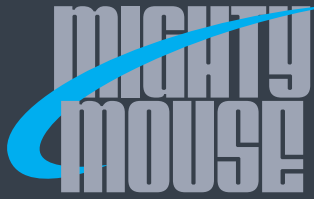
Table II: Keyway Positions

Position	A°	B°
A	150°	210°
B	75°	210°
C	95°	230°
D	140°	275°
E	75°	275°
F	95°	210°

DWV Rating	
Contact Sizes	Test Voltage
23	750 Vac
20 HD	1000 Vac
16, 12, 8	1800 Vac

NOTES

- Hermeticity: 1×10^{-7} cc/sec at one atmosphere, not for use in liquid environment
- This connector mates with all quick coupling high density plug connectors with same polarization and opposite contact gender, (801-001, 801-002, 801-007, and 801-008)
- See page E-11 for panel cut-out dimensions
- For all insert arrangements with size #8 contacts, add .300" to OAL dimension.
- Material / finish:
 - Shell: CRES 304L / passivate or plate as required
 - Jam-nut: CRES / passivate or plate as required
 - Contacts: alloy 52 / gold plate
 - Seals: fluorosilicone
 - Insulators:
 - Fused glass (hermetic)
 - Rigid dielectric (socket insulator)
 - Sockets:
 - Copper alloy / gold plate (contact)
 - CRES / passivated (hood)

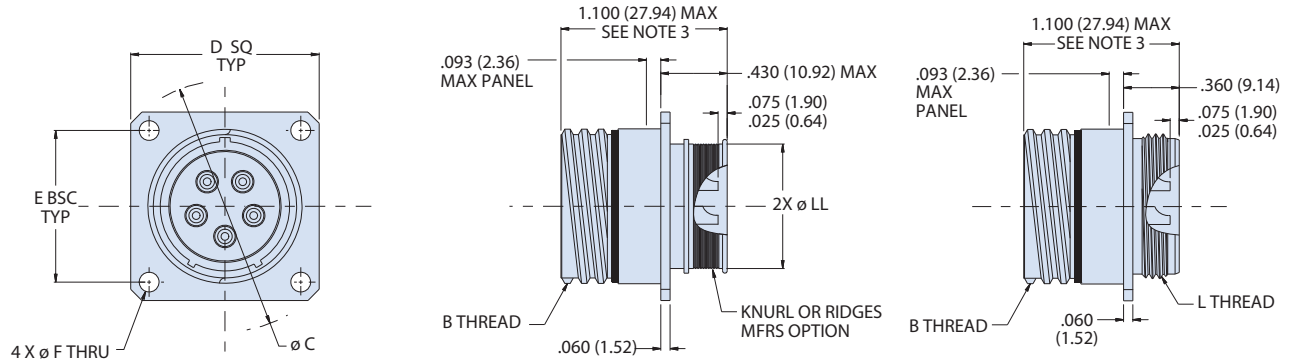


SERIES 801 DOUBLE-START ACME THREAD Mighty Mouse Connectors and Cables

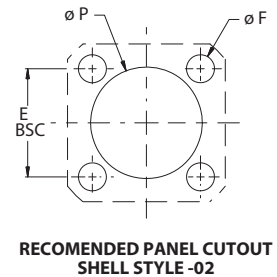


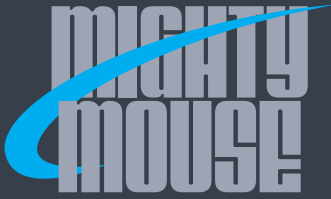
Hermetic Solder Cup Receptacles with Integrated Accessory Threads or Banding Porch

SQUARE FLANGE MOUNT RECEPTACLE - SHELL STYLE 02



Dimensions							
SHELL SIZE	B THREAD	Ø C	D SQ	E BSC	F HOLES	Ø LL	Ø P ±.005
5	.3125-.05P-.1L-2A	0.680 (17.27)	0.530 (13.46)	0.363 (9.22)	0.096 (2.44) 0.091 (2.31)	.245 (6.22)	0.328 (8.33)
6	.3750-.05P-.1L-2A	0.750 (19.05)	0.590 (14.99)	0.423 (10.74)	0.096 (2.44) 0.091 (2.31)	.290 (7.37)	0.390 (9.91)
7	.4375-.05P-.1L-2A	0.850 (21.59)	0.650 (16.51)	0.483 (12.27)	0.096 (2.44) 0.091 (2.31)	.390 (9.91)	0.453 (11.51)
8	.5000-.05P-.1L-2A	0.938 (23.83)	0.712 (18.08)	0.545 (13.84)	0.130 (3.30) 0.126 (3.20)	.445 (11.30)	0.515 (13.08)
9	.5625-.05P-.1L-2A	1.125 (28.58)	0.850 (21.59)	0.607 (15.42)	0.130 (3.30) 0.126 (3.20)	.500 (12.70)	0.578 (14.68)
10	.6250-.05P-.1L-2A	1.188 (30.18)	0.890 (22.61)	0.670 (17.02)	0.130 (3.30) 0.126 (3.20)	.560 (14.22)	0.640 (16.26)
11	.6875-.05P-.1L-2A	1.250 (31.75)	0.935 (23.75)	0.715 (18.16)	0.130 (3.30) 0.126 (3.20)	.605 (15.37)	0.703 (17.86)
13	.8125-.1P-.2L-2A	1.375 (34.92)	1.030 (26.16)	0.812 (20.62)	0.130 (3.30) 0.126 (3.20)	.650 (16.51)	0.828 (21.03)
16	1.0000-.1P-.2L-2A	1.625 (41.28)	1.219 (30.96)	0.981 (24.92)	0.130 (3.30) 0.126 (3.20)	.805 (20.45)	1.015 (25.78)
17	1.0625-.1P-.2L-2A	1.700 (43.18)	1.280 (32.51)	1.060 (26.92)	0.130 (3.30) 0.126 (3.20)	.850 (21.59)	1.078 (27.38)
19	1.8750-.1P-.2L-2A	1.900 (48.26)	1.432 (36.37)	1.191 (30.25)	0.130 (3.30) 0.126 (3.20)	1.003 (25.48)	1.203 (30.56)
21	1.3125-.1P-.2L-2A	2.100 (53.34)	1.565 (39.75)	1.322 (33.58)	0.130 (3.30) 0.126 (3.20)	1.110 (28.19)	1.328 (33.73)



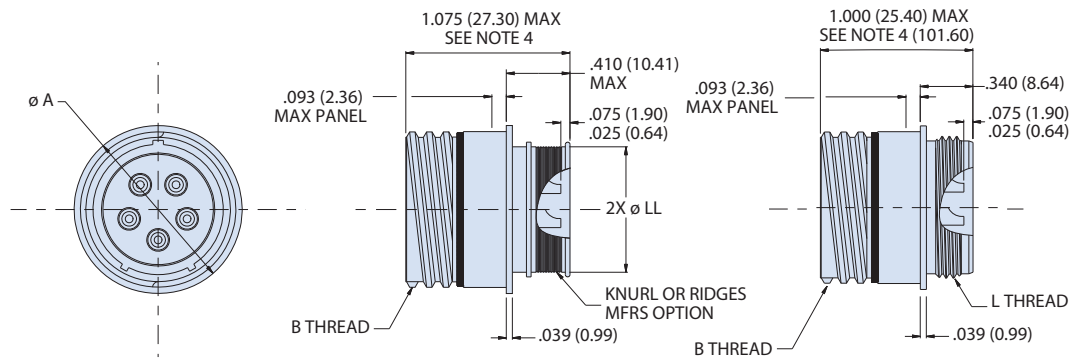


SERIES 801 DOUBLE-START ACME THREAD Mighty Mouse Connectors and Cables

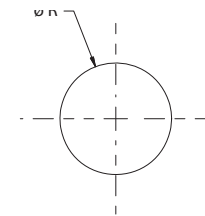


Hermetic Solder Cup Receptacles with Integrated Accessory Threads or Banding Porch

SOLDER MOUNT RECEPTACLE - SHELL STYLE 03

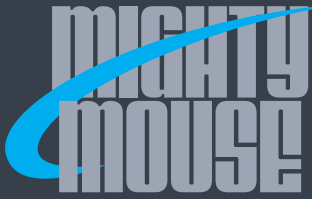


Dimensions					
SHELL SIZE	ϕA	B THREAD	L Thread	ϕLL	$\phi R \pm .005$
5	0.395 (10.03)	.3125-.05P-.1L-2A	.2500-32 UNEF--2A	.245 (6.22)	0.328 (8.33)
6	0.455 (11.56)	.3750-.05P-.1L-2A	.3125-32 UNEF--2A	.290 (7.37)	0.390 (9.91)
7	0.520 (13.21)	.4375-.05P-.1L-2A	.4375-28 UNEF--2A	.390 (9.91)	0.453 (11.51)
8	0.580 (14.73)	.5000-.05P-.1L-2A	.5000-28 UNEF--2A	.445 (11.30)	0.515 (13.08)
9	0.645 (16.38)	.5625-.05P-.1L-2A	.5625-24 UNEF--2A	.500 (12.70)	0.578 (14.68)
10	0.705 (17.91)	.6250-.05P-.1L-2A	.6250-24 UNEF--2A	.560 (14.22)	0.640 (16.26)
11	0.770 (19.56)	.6875-.05P-.1L-2A	.6875-24 UNEF--2A	.605 (15.37)	0.703 (17.86)
13	0.895 (22.73)	.8125-.1P-.2L-2A	.6875-24 UNEF--2A	.650 (16.51)	0.828 (21.03)
16	1.080 (27.43)	1.0000-.1P-.2L-2A	.9375-20 UNEF--2A	.805 (20.45)	1.015 (25.78)
17	1.145 (29.08)	1.0625-.1P-.2L-2A	.9375-20 UNEF--2A	.850 (21.59)	1.078 (27.38)
19	1.283 (32.59)	1.8750-.1P-.2L-2A	1.0625-18 UNEF--2A	1.003 (25.48)	1.203 (30.56)
21	1.415 (35.94)	1.3125-.1P-.2L-2A	1.1875-18 UNEF--2A	1.110 (28.19)	1.328 (33.73)



RECOMENDED PANEL CUTOUT
SHELL STYLE -03

SERIES 801 DOUBLE-START MATING

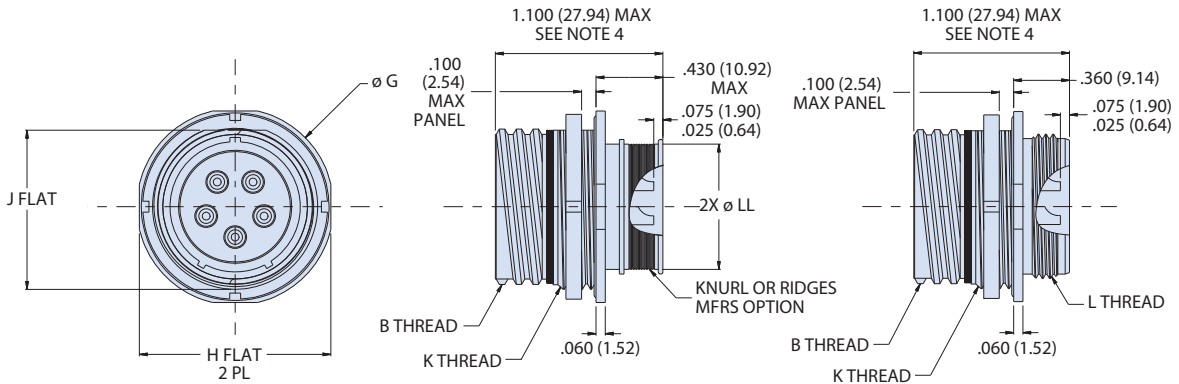


SERIES 801 DOUBLE-START ACME THREAD Mighty Mouse Connectors and Cables

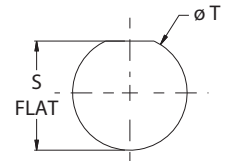


Hermetic Solder Cup Receptacles with Integrated Accessory Threads or Banding Porch

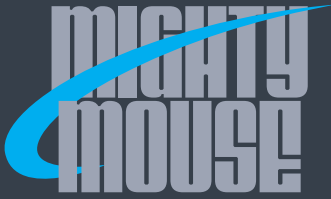
JAM-NUT MOUNT RECEPTACLE - SHELL STYLE 07



Dimensions									
SHELL SIZE	B THREAD	ø G	H FLAT	J FLAT	K THREAD	L Thread	ø LL	S FLAT	ø T
5	.3125-.05P-.1L-2A	0.575 (14.60)	0.545 (13.84)	0.350 (8.89)	.3750-28 UN-2A	.2500-32 UNEF-2A	0.245 (6.22)	0.358 (9.09) 0.354 (8.99)	0.385 (9.78) 0.380 (9.65)
6	.3750-.05P-.1L-2A	0.635 (16.13)	0.595 (15.11)	0.410 (10.41)	.4375-28 UNEF-2A	.3125-32 UNEF-2A	0.290 (7.37)	0.418 (10.62) 0.414 (10.52)	0.448 (11.38) 0.443 (11.25)
7	.4375-.05P-.1L-2A	0.755 (19.18)	0.723 (18.36)	0.536 (13.61)	.5625-32 UN-2A	.4375-28 UNEF-2A	0.390 (9.91)	0.544 (13.82) 0.540 (13.72)	0.572 (14.53) 0.567 (14.40)
8	.5000-.05P-.1L-2A	0.755 (19.18)	0.723 (18.36)	0.536 (13.61)	.5625-32 UN-2A	.5000-28 UNEF-2A	0.445 (11.30)	0.544 (13.82) 0.540 (13.72)	0.572 (14.53) 0.567 (14.40)
9	.5625-.05P-.1L-2A	0.830 (21.08)	0.790 (20.07)	0.596 (15.14)	.6250-28 UN-2A	.5625-24 UNEF-2A	0.500 (12.70)	0.604 (15.34) 0.600 (15.24)	0.635 (16.13) 0.630 (16.00)
10	.6250-.05P-.1L-2A	0.890 (22.61)	0.855 (21.72)	0.658 (16.71)	.6875-28 UN-2A	.6250-24 UNEF-2A	0.560 (14.22)	0.668 (16.97) 0.664 (16.87)	0.698 (17.73) 0.693 (17.60)
11	.6875-.05P-.1L-2A	0.960 (24.38)	0.925 (23.50)	0.718 (18.24)	.7500-28 UN-2A	.6875-24 UNEF-2A	0.605 (15.37)	0.728 (18.49) 0.724 (18.39)	0.760 (19.30) 0.755 (19.18)
13	.8125-.1P-.2L-2A	1.078 (27.38)	1.044 (26.52)	0.845 (21.46)	.8750-28 UN-2A	.6875-24 UNEF-2A	0.650 (16.51)	0.853 (21.67) 0.849 (21.56)	0.885 (22.48) 0.880 (22.35)
16	1.0000-.1P-.2L-2A	1.265 (32.13)	1.230 (31.24)	1.022 (25.96)	1.0625-20 UN-2A	.9375-20 UNEF-2A	0.805 (20.45)	1.030 (26.16) 1.026 (26.06)	1.072 (27.23) 1.067 (27.10)
17	1.0625-.1P-.2L-2A	1.325 (33.65)	1.290 (32.77)	1.096 (27.84)	1.1250-28 UN-2A	.9375-20 UNEF-A	0.850 (21.59)	1.104 (28.04) 1.100 (27.94)	1.135 (28.83) 1.130 (28.70)
19	1.8750-.1P-.2L-2A	1.450 (36.83)	1.415 (35.94)	1.225 (31.12)	1.2500-28 UN-2A	1.0625-18 UNEF-2A	1.003 (25.48)	1.235 (31.37) 1.231 (31.27)	1.260 (32.00) 1.255 (31.88)
21	1.3125-.1P-.2L-2A	1.625 (41.28)	1.577 (40.06)	1.346 (34.19)	1.3750-28 UN-2A	1.1875-18 UNEF-2A	1.110 (28.19)	1.353 (34.37) 1.349 (34.26)	1.385 (35.18) 1.380 (35.05)



RECOMMENDED PANEL CUTOUT
SHELL STYLE -07

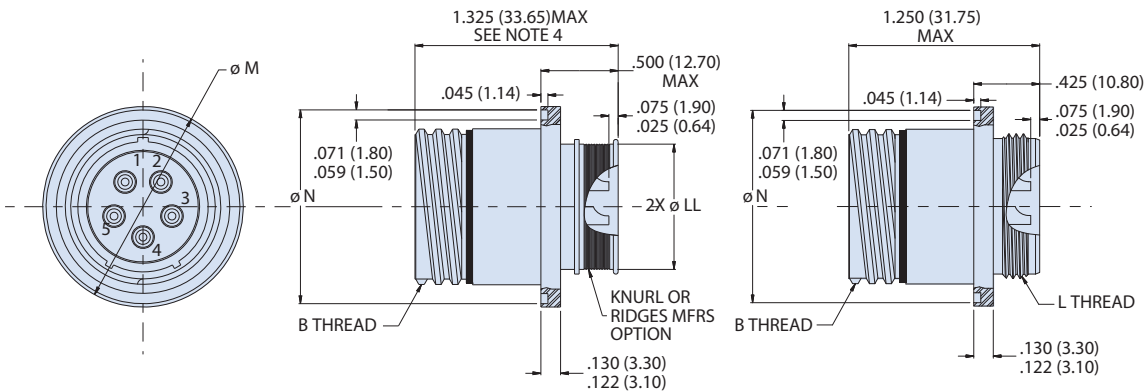


SERIES 801 DOUBLE-START ACME THREAD Mighty Mouse Connectors and Cables

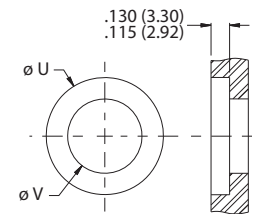


Hermetic Solder Cup Receptacles with Integrated Accessory Threads or Banding Porch

WELD MOUNT RECEPTACLE - SHELL STYLE 13



Dimensions							
SHELL SIZE	B THREAD	ϕL	ϕLL	ϕM $\pm .002$	ϕN	ϕU $\pm .003$	ϕV $\pm .005$
5	.3125-.05P-.1L-2A	0.245 (6.22)	.245 (6.22)	0.600 (15.24)	0.555 (14.10)	0.606 (15.39)	0.500 (12.70)
6	.3750-.05P-.1L-2A	0.290 (7.37)	.290 (7.37)	0.665 (16.89)	0.620 (15.75)	0.671 (17.04)	0.575 (14.60)
7	.4375-.05P-.1L-2A	0.390 (9.91)	.390 (9.91)	0.730 (18.54)	0.685 (17.40)	0.736 (18.69)	0.675 (17.15)
8	.5000-.05P-.1L-2A	0.445 (11.30)	.445 (11.30)	0.788 (20.02)	0.745 (18.92)	0.794 (20.17)	0.725 (18.42)
9	.5625-.05P-.1L-2A	0.500 (12.70)	.500 (12.70)	0.912 (23.16)	0.869 (22.07)	0.918 (23.32)	0.800 (20.32)
10	.6250-.05P-.1L-2A	0.560 (14.22)	.560 (14.22)	0.975 (24.76)	0.933 (23.70)	0.981 (24.92)	0.850 (21.59)
11	.6875-.05P-.1L-2A	0.605 (15.37)	.605 (15.37)	1.062 (26.97)	1.019 (25.88)	1.068 (27.13)	0.950 (24.13)
13	.8125-.1P-.2L-2A	0.650 (16.51)	.650 (16.51)	1.162 (29.51)	1.119 (28.42)	1.168 (29.67)	0.950 (24.13)
16	1.0000-.1P-.2L-2A	0.805 (20.45)	.805 (20.45)	1.288 (32.72)	1.245 (31.62)	1.294 (32.87)	1.175 (29.85)
17	1.0625-.1P-.2L-2A	0.850 (21.59)	.850 (21.59)	1.360 (34.54)	1.315 (33.40)	1.366 (34.70)	1.175 (29.85)
19	1.8750-.1P-.2L-2A	1.003 (25.48)	1.003 (25.48)	1.495 (37.97)	1.452 (36.88)	1.501 (38.13)	1.300 (33.02)
21	1.3125-.1P-.2L-2A	1.110 (28.19)	1.110 (28.19)	1.625 (41.28)	1.580 (40.13)	1.631 (41.43)	1.475 (37.47)



RECOMMENDED PANEL CUTOUT
SHELL STYLE -13

SERIES 801 DOUBLE-START MATING