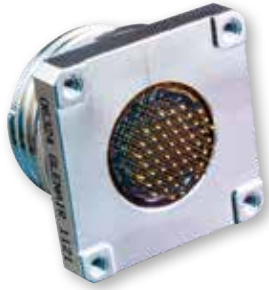


SERIES 801 DOUBLE-START ACME THREAD Mighty Mouse Connectors and Cables



Jam-Nut Mount, PCB Receptacle with PC Tail Contacts and Threaded Standoffs



Rear Panel Mount, Jam-Nut Receptacle connectors offer military grade performance in a small, lightweight package. Features a double-start modified stub ACME mating thread for improved protection against cross-mating and thread damage. Aluminum or stainless steel, board mount receptacle for attachment to rigid PC boards. PCB receptacle with integral standoffs for PC board washout come threaded with #2-56 stainless steel heli-coils. Gold-plated copper alloy PC tail contacts are factory installed and potted with epoxy. Contacts are parylene compatible and non-removable.

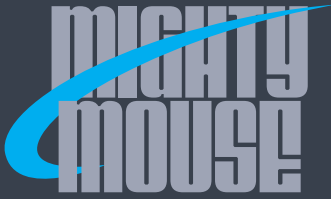
How To Order	
Sample Part Number	801-075 -07 M 6-7 P A
Series	801-075 = Box Mount PCB Receptacle with Threaded Standoffs
Shell Style	-07 = Jam-Nut, Rear Panel Mount
Material and Finish	M = Aluminum / Electroless Nickel MT = Aluminum / Nickel-PTFE NF = Aluminum / Cadmium with Olive Drab Chromate ZNU = Aluminum / Zinc-Nickel with Black Chromate Z1 = Stainless Steel / Passivated
Shell Size - Insert Arrangement	See Contact Arrangements page E-7
Contact Type	P = Pin, PC Tail S = Socket, PC Tail
Polarization (See Table I)	A = Normal B = Pos. B C = Pos. C D = Pos. D E = Pos. E F = Pos. F

Table I: Keyway Positions

Position	A°	B°
A	150°	210°
B	75°	210°
C	95°	230°
D	140°	275°
E	75°	275°
F	95°	210°

NOTES

1. Contacts are non removable, the connector is back potted
2. This receptacle connector mates with all quick coupling high density plug connectors with same polarization and opposite contact gender (801-01, 801-002, 801-007, and 801-008)
3. See page E-11 for panel cut-out dimensions
4. Material / finish:
 - Shell, jam-nut: aluminum alloy or CRES
 - Insulator: High Grade Rigid Dielectric / N.A.
 - Interfacial seal, O-ring, peripheral seal: fluorosilicone / N.A.
 - Contact: copper alloy / gold plate per ASTM B 488, Type II, Code C, Class 1.25 (.00005 minimum thickness), over a suitable underplate
 - Potting compound: epoxy / N.A.



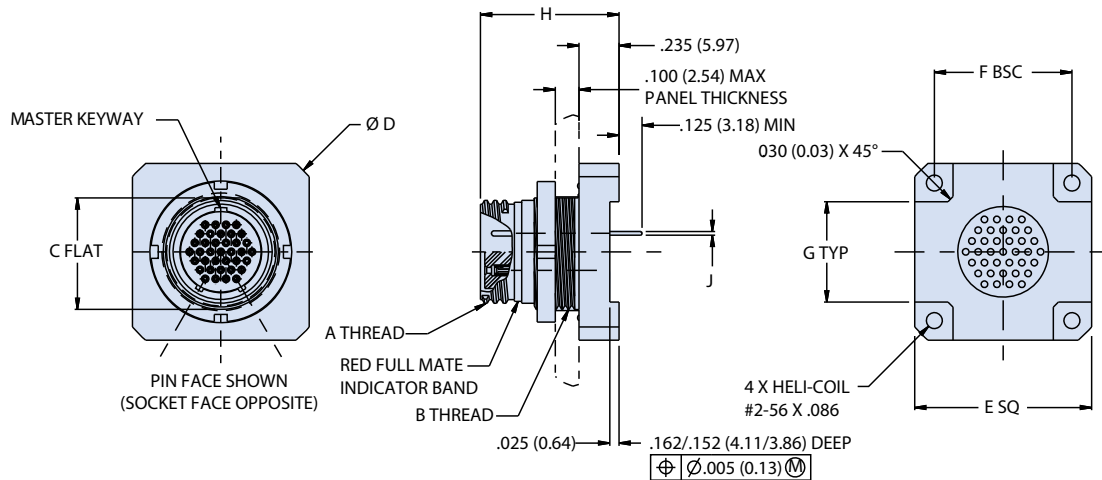
SERIES 801 DOUBLE-START ACME THREAD Mighty Mouse Connectors and Cables



Jam-Nut Mount, PCB Receptacle with PC Tail Contacts and Threaded Standoffs

JAM-NUT PCB RECEPTACLE WITH THREADED HELI-COIL STANDOFF - SHELL STYLE 07

PC Tail Dimensions	
Contact Size	Ø J
#23	Ø .018/.022
#20	Ø .028/.024
#16	Ø .060/.064
#12	Ø .092/.096



Dimensions								
Shell Size	A Thread	B Thread	C Flat	Ø D	E SQ	F BSC	G Typ	H
5	.3125-.05P-.1L-2A	.3750-28 UN-2A	.348 (8.84)	.720 (18.29)	.545 (13.84)	.363 (9.22)	.143 (3.63)	.772 (19.61)
6	.375-.05P-.1L-2A	.4375-28 UNEF-2A	.408 (10.36)	.800 (20.32)	.595 (15.11)	.423 (10.74)	.203 (5.16)	.772 (19.61)
7	.4375-.05P-1L2A	.5625-32 UN-2A	.534 (13.56)	.900 (22.86)	.723 (18.36)	.483 (12.27)	.263 (6.68)	.772 (19.61)
8	.5000-.05P-1L-2A	.5625-32 UN-2A	.534 (13.56)	.980 (24.89)	.723 (18.36)	.545 (13.84)	.325 (8.25)	.772 (19.61)
9	.5625-.05P-.1L-2A	.6250-28 UN-2A	.594 (15.09)	1.080 (27.43)	.790 (20.07)	.607 (15.42)	.387 (9.83)	.772 (19.61)
10	.6250-.05P-1L-2A	.6875-28 UN-2A	.656 (16.66)	1.160 (29.46)	.855 (21.72)	.670 (17.02)	.450 (11.43)	.772 (19.61)
11	.6875-.05P-1L-2A	.7500-28 UN-2A	.716 (18.19)	1.220 (30.99)	.925 (23.50)	.715 (18.16)	.495 (12.57)	.772 (19.61)
13	.8125-.1P-.2L-2A	.8750-28 UN-2A	.843 (21.41)	1.370 (34.80)	1.044 (26.52)	.812 (20.62)	.592 (15.04)	.881 (22.38)
16	1.0000-.1P-.2L-2A	1.0625-20 UN-2A	1.020 (25.91)	1.620 (41.15)	1.230 (31.24)	.981 (24.92)	.751 (19.08)	.881 (22.38)
17	1.0625-.1P-.2L-2A	1.1250-28 UN-2A	1.094 (27.79)	1.720 (43.69)	1.290 (32.77)	1.060 (26.92)	.840 (21.34)	.881 (22.38)
19	1.1875-.1P-.2L-2A	1.2500-28 UN-2A	1.225 (31.12)	1.920 (48.77)	1.415 (35.94)	1.191 (30.25)	.971 (24.66)	.881 (22.38)
21	1.3125-.1p-.2l-2a	1.3750-28 UN-2A	1.345 (34.16)	2.100 (53.34)	1.577 (40.06)	1.322 (33.58)	1.102 (27.99)	.881 (22.38)

SERIES 801 DOUBLE-START MATING