

SERIES 801 DOUBLE-START ACME THREAD Mighty Mouse Connectors and Cables Sav-Con® Connector Saver



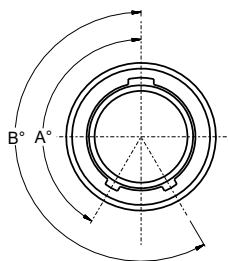
Glenair Sav-Con® Connector Savers are designed to protect connectors that are subject to repeated mating and unmating cycles. Sav-Con® Connector Savers prevent costly repair or replacement of expensive connectors while preserving the quality and integrity of the connector by absorbing connect and disconnect abuse.

Protect Equipment. Equipment connectors that are mated frequently during manufacturing, test, check-out phases, and environmental test programs can be protected by Glenair Sav-Con® Connector Savers.

Prolong the Service Life of Test Cables. Glenair Sav-Con® Connector Savers mated to test-cable connectors take the punishment of repetitive mating and unmating connectors.

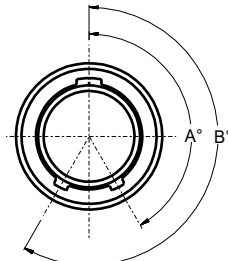
How To Order						
Sample Part Number		801-017	M	6-7	P	A
Series	801-017 = Series 801 Connector Saver					
Material and Finish	C = Aluminum / Black Anodize (Non-Conductive) M = Aluminum / Electroless Nickel NF = Aluminum / Cadmium with Olive Drab Chromate ZN = Aluminum / Zinc-Nickel with Olive Drab Chromate Z1 = Stainless Steel / Passivated					
Shell Size - Insert Arrangement	See Contact Arrangements page E-7					
Contact Type	P = Pin Contact on Plug Side, Socket Contact on Receptacle Side S = Socket Contact on Plug Side, Pin Contact on Receptacle Side					
Polarization (See Table I and II)	A = Normal B = Pos. B C = Pos. C D = Pos. D E = Pos. E F = Pos. F					

Table I: Key Positions (plug)



Key Position	A°	B°
A	150°	210°
B	75°	210°
C	95°	230°
D	140°	275°
E	75°	275°
F	95°	210°

Table II: Keyway Positions (receptacle)

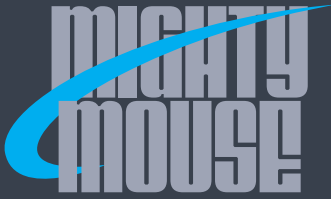


Position	A°	B°
A	150°	210°
B	75°	210°
C	95°	230°
D	140°	275°
E	75°	275°
F	95°	210°

NOTES

- Material / Finish
 - Shell, jam-nut: aluminum alloy or stainless steel
 - Contact: copper alloy, 50 µinch gold plated
 - Insulator: high-grade rigid dielectric
 - Seal: fluorosilicone rubber

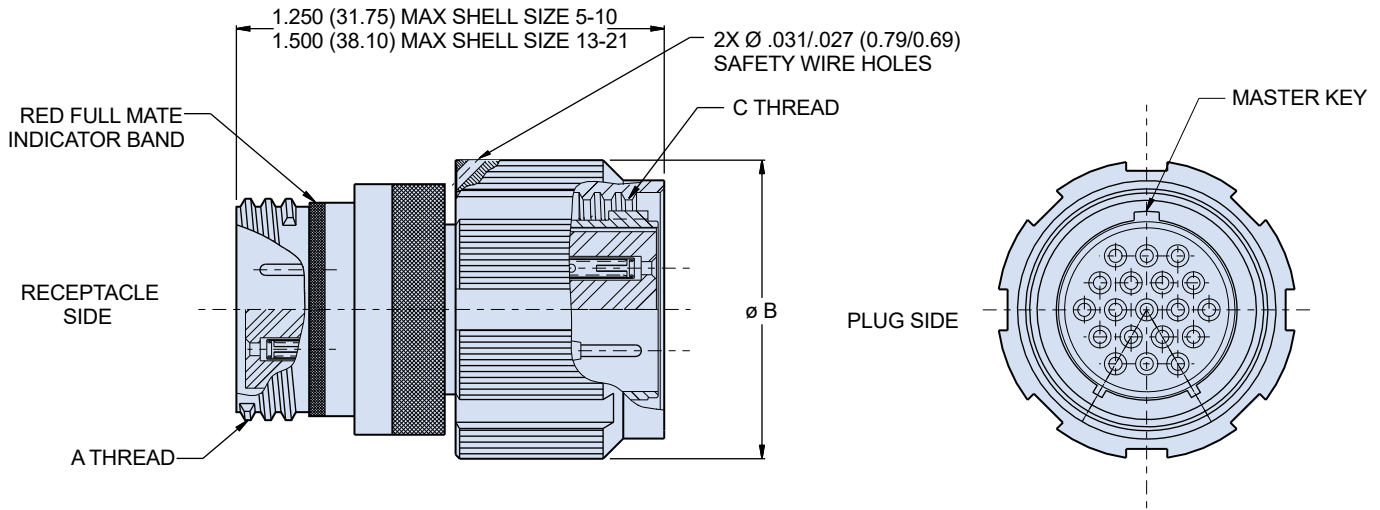
SERIES 801 DOUBLE-START MATING



SERIES 801 DOUBLE-START ACME THREAD
Mighty Mouse Connectors and Cables
 Sav-Con® Connector Saver



SAV-CON® CONNECTOR SAVER



Dimensions			
Shell Size	A Thread	C Thread	Ø B
5	.3125-.05P-.1L-2A	.3125-.05P-.1L-2B	.540 (13.72)
6	.375-.05P-.1L-2A	.375-.05P-.1L-2B	.600 (15.24)
7	.4375-.05P-1L-2A	.4375-.05P-1L-2B	.680 (17.27)
8	.5000-.05P-1L-2A	.5000-.05P-1L-2B	.750 (19.05)
9	.5625-.05P-.1L-2A	.5625-.05P-.1L-2B	.810 (20.57)
10	.6250-.05P-1L-2A	.6250-.05P-1L-2B	.880 (22.35)
11	.6875-.05P-1L-2A	.6875-.05P-1L-2B	.920 (23.37)
13	.8125-.1P-.2L-2A	.8125-.1P-.2L-2B	1.050 (26.67)
16	1.000-.1P-.2L-2A	1.000-.1P-.2L-2B	1.240 (31.50)
17	1.062-.1P-.2L-2A	1.062-.1P-.2L-2B	1.300 (33.02)
19	1.1875-.1P-.2L-2A	1.1875-.1P-.2L-2B	1.400 (35.56)
21	1.3125-.1p-.2L-2A	1.3125-.1P-.2L-2B	1.550 (39.37)

SERIES 801 DOUBLE-START MATING