



SERIES 80 Mighty Mouse connectors



Size #12, 3 GHz Max Operating Frequency, Matched Impedance, 75 Ohm Coax Contacts

SIZE #12, 75 OHM MATCHED IMPEDANCE COAXIAL CONTACTS



Pin Contact

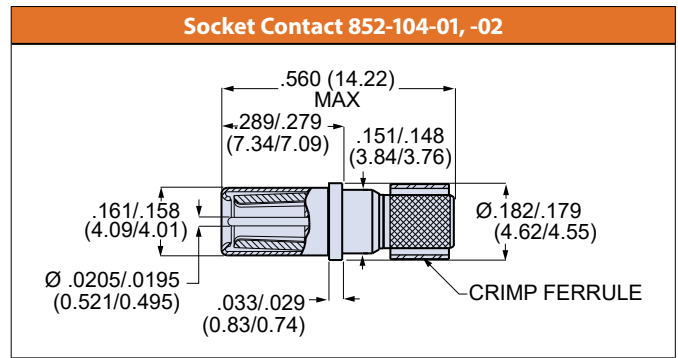
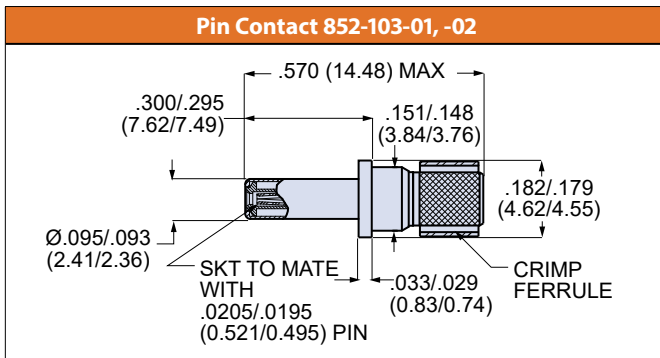


Socket Contact

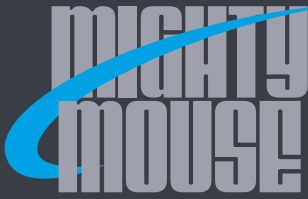
75 Ohm coax contacts provide DC – 3 GHz frequency range. Crimp termination. Supplied as unassembled kit with contact body, center contact and outer ferrule. Snap-in, rear-release contacts fit Glenair Series 80 Mighty Mouse connectors with size 12 contact cavities. Gold-plated copper alloy, fluoroplastic insulator.

Size 12, 75 Ohm Matched-Impedance Coaxial Contacts			
RG Cable	Pin Contact	Socket Contact	Assembly Instructions
RG179 (M17/94-RG179)	852-103-02	852-104-02	AI85075
V75268, V76261, V73263 (PIC™ Wire and Cable)	852-103-01	852-104-01	AI85024

Technical Data	
Specifications	Construction
<ul style="list-style-type: none"> Operating temperature: -65°C. to +200°C. Dielectric withstanding voltage: 500 VRMS Current rating: 1 ampere VSWR: 1.25:1 max. @ 3 GHz Impedance: 75 Ohms nominal Durability: 500 mating cycles Shock: EIA-364-27 condition D Vibration: EIA-364-28 condition VI, letter J 	<ul style="list-style-type: none"> Center contact, body, crimp sleeve: copper alloy, 50 microinches gold over nickel plating Insulator: fluoroplastic Socket Hood: stainless steel, passivated



Crimp Tools, Installation/Removal Tool, Assembly Instruction Sheet						
Contact Part Number	Crimp Tools				Insertion/ Removal Tool	Assembly Instruction Sheet
	Inner Contact		Shield Crimp Sleeve			
	Crimper	Positioner	Crimper	Positioner		
852-103-01	809-128 (MH992)	859-006 (K1721)	809-133 (M22520/31-01)	859-128 (GP959)	809-132 (M81969/14-04)	AI85075
852-103-02	809-128 (MH992)	859-006 (K1721)	809-129 (M22520/5-01)	809-130 (M22520/5-03)	809-132 (M81969/14-04)	AI85024
852-104-01	809-128 (MH992)	859-006 (K1721)	809-133 (M22520/31-01)	859-128 (GP959)	809-132 (M81969/14-04)	AI85075
852-104-02	809-128 (MH992)	859-006 (K1721)	809-129 (M22520/5-01)	809-130 (M22520/5-03)	809-132 (M81969/14-04)	AI85001



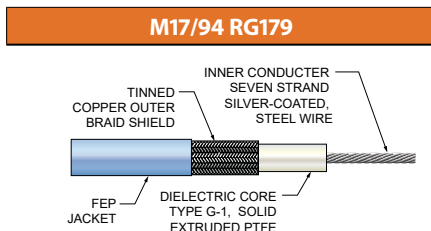
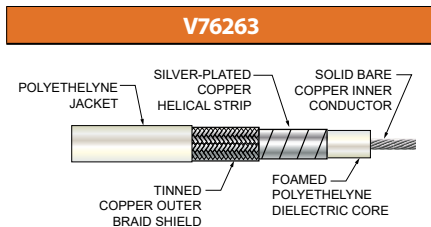
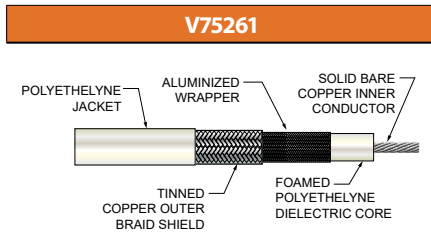
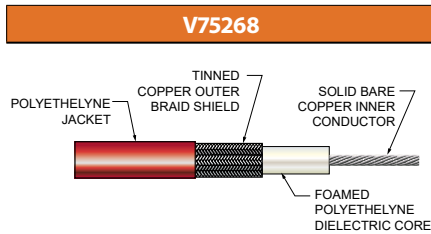
SERIES 80 Mighty Mouse connectors



Size #12, 3 GHz Max Operating Frequency, Matched Impedance 75 Ohm Coax Contacts

CABLE INFORMATION FOR SIZE #12, 75 OHM MATCHED IMPEDANCE COAXIAL CONTACTS

Coax contacts 852-103 and 852-104 are designed for use with V75268, V76261, V73263 PIC wire and RG179. V75268 and V75261 coaxial cable can be used in cabin entertainment analog and digital video applications. V75263 cable is suitable for high definition digital video and offers low VSWR and attenuation characteristics. Manufactured by PIC Wire, these cables are Skydrol resistant, RoHS compliant and meets the FAA flammability requirements of FAR Part 23 and 25, Appendix F; complies with MIL-C-17 as applicable



Glenair Part No.	960-130	960-131	960-132	N/A
Manufacturer Part No.	V75268	V76261	V73263	N/A
Military Part Number	N/A	N/A	N/A	RG179 (M17/94-RG179)
Manufacturer	PIC	PIC	PIC	MIL-SPEC
Impedance	75	75	75	75
Velocity of Propagation %	80.0	80.0	80.0	69.5
Capacitance (pF/ft)	16.0	16.0	16.0	23.0
Conductor Wire Size	AWG 26	AWG 26	AWG 26	.012 (0.30)
Conductor Type	Stranded SPC	Stranded SPC	Stranded SPC	Stranded SPC
Dielectric	Foamed Fluoropolymer	Foamed Fluoropolymer	Foamed Fluoropolymer	Extruded PTFE
Shielding Effectiveness (dB)	-50 min	-90	-110	N/A
Outer Diameter	0.12 (3.10)	0.12 (3.10)	0.13 (3.18)	.100 (2.54)
Weight (lbs/100ft.)	1.3	1.1	1.5	.0108
Temperature Range	-55° to +150°C	-55° to +150°C	-55° to +150°C	-55° to +200°C
Frequency	Attenuation (dB/100 ft) nom/max			
135 MHz	5.9/6.5	5.8/6.4		
180 MHz	6.9/7.6	6.7/7.4		
270 MHz	8.6/9.5	8.3/9.1		
360 MHz	10.1/11.1	9.7/10.6		
400 MHz				
750 MHz			10.2/11.3	21.0 nominal
1.45 GHz		21.9/23.4	21.9/23.4	
1.5 GHz			20.6/22.7	
3.0 GHz		33.7/36.1	30.3/33.3	
6.0 GHz			44.9/49.5	