

SERIES 80 MIGHTY MOUSE CONNECTORS Accessories, Backshells, and Tools



Series 804 Push-Pull Mighty Mouse Metal Protective, Receptacle Cover



Protect Connectors From Damage

Machined aluminum covers prevent ingress of contamination and water.

Stainless Steel Fittings and Rings

Choose small diameter eye fittings for panel attachment. Larger rings fit under the jam nut or over cable jackets. Split rings can be installed on fully assembled cables.

Polyurethane-Coated SST Wire Rope offers high strength, excellent abrasion resistance and good flexibility. Or, choose Fluoropolymer jacket for high temperature exposure.

Braided Nylon Rope provides excellent flexibility and good abrasion resistance, and can be ordered with slip knot fittings for easy installation on any size cable.

How To Order	
Sample Part Number	667-202 M 9 H 6 -14 R
Series (See Table I)	667-202 = Receptacle Cover
Shell Material / Finish	<p>C = Aluminum / Black Anodize (Non-Conductive) RoHS Compliant</p> <p>M = Aluminum / Electroless Nickel RoHS Compliant</p> <p>NF = Aluminum / Cadmium with Olive Drab Chromate</p> <p>ZN = Aluminum / Zinc-Nickel with Olive Drab Chromate</p> <p>ZNU = Aluminum / Zinc-Nickel with Black Chromate</p> <p>MT = Aluminum / Nickel-PTFE RoHS Compliant</p> <p>Z1 = Stainless Steel / Passivated RoHS Compliant</p>
Shell Size	5, 6, 7, 8, 9, 10, 11, 12, 14,
Attachment Type	<p>D = Bead Chain, CRES, Passivate</p> <p>F = Wire Rope, Nylon Jacket</p> <p>G = Nylon Rope</p> <p>H = SST Wire Rope, Fluoropolymer Jacket</p> <p>N = No Attachment</p> <p>R = Wire Rope, PVC Jacket</p> <p>S = SST Sash Chain</p> <p>SK = Nylon Rope With Slip Knot</p> <p>T = SST Wire Rope, No Jacket</p> <p>U = SST Wire Rope, Polyurethane Jacket</p>
Attachment Length (inches)	Omit for attachment Type N (No Attachment) Example: "-6" equals six inch length
Attachment Code (See Table II)	<p>Small Ring = 01 thru 06</p> <p>Large Ring = 14 thru 33</p> <p>Split Ring = 50 thru 68</p>
Pull Ring Option	R = Supplied with Pull Ring (Omit for none)

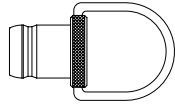
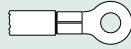
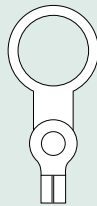

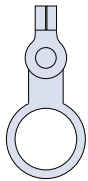
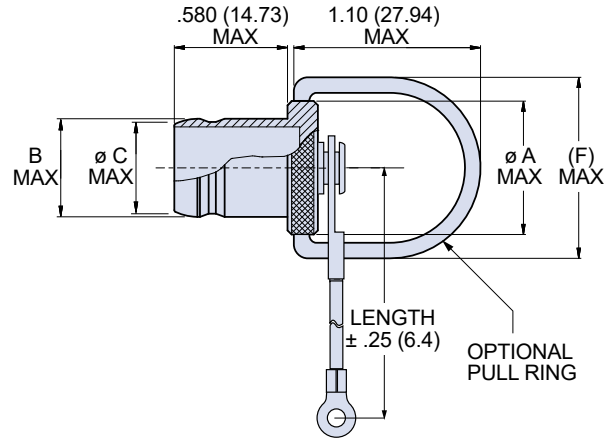
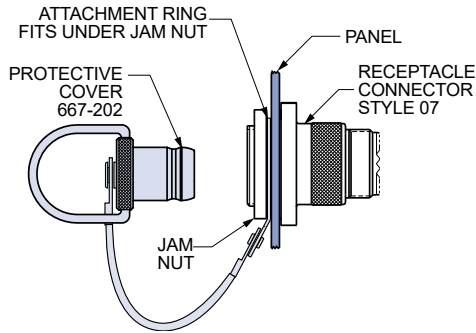
Table I: Cover Style

667-202 Push Pull Receptacle Cover with Pull Ring

Table II: Attachment Code	
Omit for attachment types N (No Attachment) and SK (Slip Knot)	
 Small Ring	<p>-01 - .126 (3.20) I.D.</p> <p>-02 - .145 (3.68) I.D.</p> <p>-04 - .188 (4.78) I.D.</p> <p>-06 - .197 (5.00) I.D.</p>
 Large Ring	<p>-15 - .445 (11.3) I.D.</p> <p>-33 - .510 (13.0) I.D.</p> <p>-17 - .635 (16.1) I.D.</p> <p>-18 - .695 (17.7) I.D.</p> <p>-27 - .766 (19.4) I.D.</p> <p>-31 - .820 (20.) I.D.</p> <p>-19 - .885 (22.5) I.D.</p> <p>-28 - 1.015 (25.8) I.D.</p> <p>-20 - 1.135 (28.8) I.D.</p>
 Split Ring	<p>-50 - .420 (10.67) I.D.</p> <p>-52 - .480 (12.19) I.D.</p> <p>-54 - .635 (16.13) I.D.</p> <p>-56 - .745 (18.92) I.D.</p> <p>-58 - .885 (22.48) I.D.</p> <p>-60 - 1.010 (25.65) I.D.</p> <p>-64 - 1.125 (28.58) I.D.</p> <p>-68 - 1.345 (34.16) I.D.</p>

Series 804 Push-Pull Mighty Mouse Metal Protective, Receptacle Cover

667-202 Cover Attachment to RPM Jam Nut Receptacle



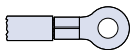
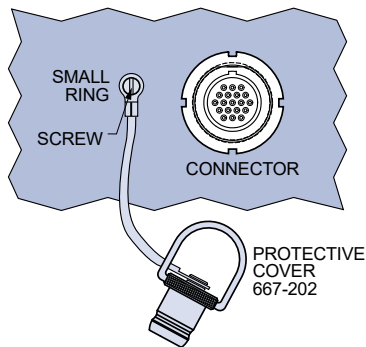
Solid Ring

Dia. Code	Shell Size	Ring I.D.		Ring O.D.	
		In.	mm.	In.	mm.
		±.010	±0.25	±.015	± 0.38
15	5	.445	11.30	.57	14.48
33	6	.510	12.95	.62	15.75
17	7, 8	.635	16.13	.76	19.30
18	9	.695	17.65	.82	20.83
27	10	.766	19.46	.89	22.61
31	11	.820	20.83	1.00	25.40
19	12	.885	22.48	1.01	25.65
28	14	1.015	25.78	1.20	30.48
20	15	1.070	27.18	1.20	30.48

Dimensions

Shell Size	Ø A Max.	Ø B	Ø C	F Max	Shell Size	Ø A Max.	Ø B	Ø C	F Max
5	.490 (12.45)	.234 (5.94)	.203 (5.16)	.74 (18.80)	10	.773 (19.63)	.548 (13.92)	.513 (13.03)	1.03 (26.16)
6	.490 (12.45)	.297 (7.54)	.266 (6.76)	.74 (18.80)	11	.805 (20.45)	.600 (15.24)	.569 (14.45)	1.06 (26.92)
7	.570 (14.48)	.367 (9.32)	.335 (8.51)	.82 (20.83)	12	.860 (21.84)	.658 (16.71)	.627 (15.93)	1.11 (28.19)
8	.614 (15.60)	.414 (10.52)	.383 (9.73)	.87 (22.10)	14	.980 (24.89)	.781 (19.84)	.749 (19.02)	1.23 (31.24)
9	.680 (17.27)	.467 (11.86)	.435 (11.05)	.92 (23.37)	15	1.045 (26.54)	.843 (21.41)	.811 (20.60)	1.30 (33.02)

667-202 Cover Attachment to Panel



Small Ring for Attaching Receptacle Covers to a Panel with a Screw

Dia. Code	Screw Size	Ring I.D.		Ring O.D.	
		In.	mm.	In.	mm.
		±.005	±0.13	Max.	Max.
01	#4, M3	.126	3.20	.31	7.9
02	#6	.145	3.68	.31	7.9
04	#8, M4	.188	4.78	.31	7.9
06	#10	.197	5.00	.31	7.9

Lanyard Options

	Nylon Rope	-65° to +100°C., black, very flexible, very good abrasion resistance, good resistance to fuels, .120" (3mm) diameter
	Polyurethane Coated Wire Rope	Black polyurethane over stainless steel rope, -65° to +125°C., very flexible, excellent abrasion resistance, excellent resistance to fuels, .080" (2mm) diameter
	Fluoropolymer Jacketed Wire Rope	Translucent FEP jacket over stainless steel, -65° to +200°C., fair flexibility, good abrasion resistance, .100" diameter
	Sash Chain	Stainless steel, #8 chain, .240" (6mm)
	Slip Knot (SK) for Attaching Covers to Cable	65° to +100°C., black, very flexible, very good abrasion resistance, good resistance to fuels, .120" (3mm) diameter. Length includes .5" (13mm) diameter loop.