

# SERIES 80 MIGHTY MOUSE CONNECTORS Accessories, Backshells, and Tools



## Series 800 Mighty Mouse Plug and Receptacle Metal Protective Covers and Lanyard



667-185

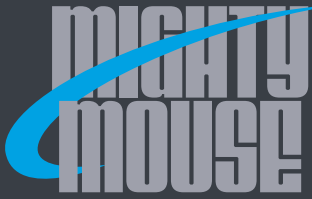
Protective covers fit Series 800 plug and receptacle connectors. Aluminum or stainless steel. Fluorosilicone rubber gasket protects connector from contamination and water ingress. Attach to panel or cable with a variety of lanyards and fittings. Lanyard styles include braided nylon rope, stainless steel wire, or sash chain. Stainless steel wire available with flexible, rugged polyurethane coating or fluoropolymer sleeve for high temperature requirements.

ACCESSORIES, BACKSHELLS, AND TOOLS

How To Order	
<b>Sample Part Number</b>	<b>667-184</b> -M -G 9 04 -6 X
<b>Series (See Table I)</b>	667-184 = Plug Cover 667-185 = Receptacle Cover
<b>Shell Material and Finish</b>	C = Aluminum / Black Anodize (Non-Conductive) RoHS Compliant M = Aluminum / Electroless Nickel RoHS Compliant MT = Aluminum / Nickel-PTFE RoHS Compliant NF = Aluminum / Cadmium with Olive Drab Chromate ZNU = Aluminum / Zinc-Nickel with Black Chromate Z1 = Stainless Steel / Passivated RoHS Compliant
<b>Attachment Type</b>	-D = Bead Chain, CRES, Passivate -F = Wire Rope, Nylon Jacket -G = Nylon Rope -H = SST Wire Rope, Fluoropolymer Jacket -N = No Attachment -R = Wire Rope, PVC Jacket -S = SST Sash Chain -SK = Nylon Rope With Slip Knot -T = SST Wire Rope, No Jacket -U = SST Wire Rope, Polyurethane Jacket  "SST" = Stainless Steel
<b>Shell Size</b>	5, 6, 7, 8, 9, 10, 12
<b>Attachment Code (See Table II)</b>	Small Ring = 01, 02, 04, 06 Large Ring = 14 thru 33 Split Ring = 50 thru 68
<b>Attachment Length (Inches)</b>	Omit for attachment Type N (No Attachment) Example: "-6" equals six inch length
<b>Alternate Polarization</b>	X, Y, Z; Omit for Normal. Applies to 667-184 Plug Cover only.

Table I: Shell Style	
667-184 Plug Cover	667-185 Receptacle Cover

Table II: Attachment Code	
Omit for attachment types N (No Attachment) and SK (Slip Knot)	
	00 - No Eyelet
	01 -.125 (3.2) I.D. 02 -.145 (3.6) I.D. 04 -.182 (4.6) I.D. 06 -.197 (5.0) I.D.
	32 -.265 (6.73) I.D. 29 -.315 (8.00) I.D. 14 -.385 (9.78) I.D. 15 -.445 (11.30) I.D. 33 -.510 (12.95) I.D. 16 -.570 (14.48) I.D. 17 -.635 (16.13) I.D. 18 -.695 (17.65) I.D. 27 -.766 (19.46) I.D.
	50 -.432 (11.0) I.D. 52 -.492 (12.5) I.D. 54 -.648 (16.5) I.D. 56 -.757 (19.2) I.D. 58 -.898 (22.8) I.D. 60 - 1.023 (26.01) I.D. 64 - 1.137 (28.9) I.D. 68 - 1.357 (34.5) I.D.



# SERIES 80 MIGHTY MOUSE CONNECTORS Accessories, Backshells, and Tools



## Series 800 Mighty Mouse Plug and Receptacle Metal Protective Covers and Lanyard

### 667-185 Cover Attachment for RPM Jam Nut Receptacle

Attch. Code	Shell Size	Ring I.D.		Ring O.D.	
		In.	mm.	In.	mm.
		±.010	±0.25	±.015	±.038
29	5	0.315	8.00	0.44	11.18
14	6	0.385	9.78	0.51	12.95
15	7	0.445	11.30	0.57	14.48
33	8	0.510	12.95	0.62	15.75
16	9	0.570	14.48	0.69	17.53
17	10	0.635	16.13	0.76	19.30
27	12	0.766	19.46	0.89	22.61

Solid Ring

### 667-185 Cover Attachment to a Panel with a Screw

Attch. Code	Screw Size	Ring I.D.		Ring O.D.	
		In.	mm.	In.	mm.
		±.005	±0.13	Max.	Max.
01	#4, M3	.126	3.20	.31	7.9
02	#6	.145	3.68	.31	7.9
04	#8, M4	.188	4.78	.31	7.9
06	#10	.197	5.00	.31	7.9

Small Ring for Attaching Receptacle Covers to a Panel with a Screw

### 667-184 Cover Attachment to Cable Assembly

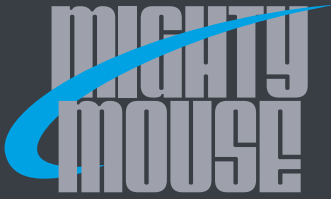
Attch. Code	Shell Size	Ring I.D.		Ring O.D.	
		In.	mm.	In.	mm.
		±.010	±0.25	±.015	±.038
29	5	.315	6.73	0.44	11.18
14	6	0.385	9.78	0.51	12.95
33	7,8	0.510	12.95	0.62	15.75
16	9	0.570	14.48	0.69	17.53
17	10	0.635	16.13	0.76	19.30
18	12	0.695	17.65	0.82	20.83

Solid Ring

### 667-184 Cover Attachment for Cable

Attch. Code	Max. Cable Dia. (in.)	Ring Diameter			
		Min. ID		Max. OD	
		In.	mm.	In.	mm.
50	.410	.420	10.67	.580	14.73
52	.470	.480	12.19	.640	16.26
54	.625	.635	16.13	.796	20.22
56	.735	.745	18.92	.905	22.99
58	.875	.885	22.48	1.046	26.57
60	1.000	1.010	25.65	1.171	29.74
64	1.115	1.125	28.58	1.285	32.64
68	1.335	1.345	34.16	1.505	38.23

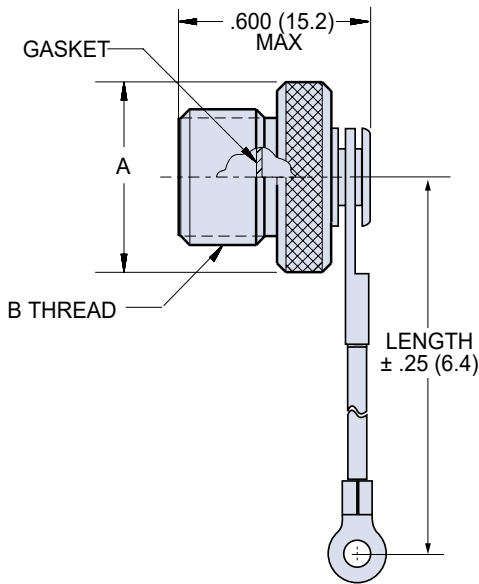
Large Split Ring for Attaching Covers to Cables



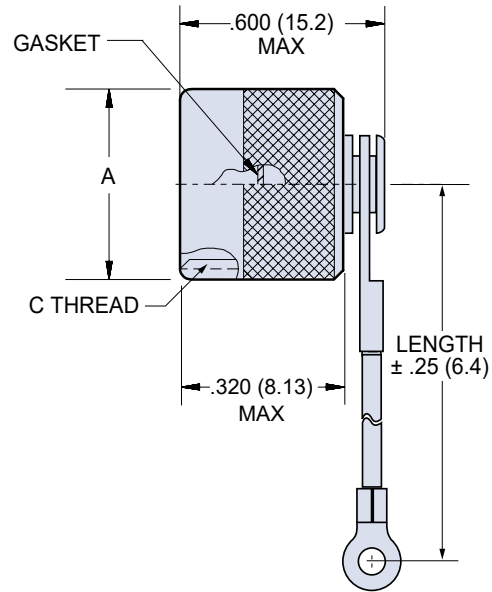
# SERIES 80 MIGHTY MOUSE CONNECTORS Accessories, Backshells, and Tools



## Series 80 Mighty Mouse Plug and Receptacle Metal Protective Covers and Lanyard



**667-184 Plug Cover**








**667-185 Receptacle Cover**

ACCESSORIES, BACKSHELLS, AND TOOLS

Dimensions				
Shell Size	A Max.		B	C
	In.	mm.		
5	.462	11.73	.3125-28 UN-2A	.3125-28 UN-2B
6	.525	10.80	.3750-28 UN-2A	.3750-28 UN-2B
7	.588	14.94	.4375-28 UNEF-2A	.4375-28 UNEF-2B
8	.650	16.51	.5000-32 UN-2A	.5000-32 UN-2B
9	.713	18.11	.5625-32 UN-2A	.5625-32 UN-2B
10	.838	21.29	.6250-32 UN-2A	.6250-32 UN-2B
12	.900	22.86	.7500-28 UN-2A	.7500-28 UN-2B

### NOTES

- Materials and Finishes
  - Cover: Aluminum alloy per ASTM B211, or stainless steel per AMS-QQ-S-763
  - Gasket: Fluorosilicone rubber
  - Wire, Hardware: Stainless steel, passivated

Lanyard options	
 Nylon Rope	-65° to +100°C., black, very flexible, very good abrasion resistance, good resistance to fuels, .120" (3mm) diameter
 Polyurethane Coated Wire Rope	Black polyurethane over stainless steel rope, -65° to +125°C., very flexible, excellent abrasion resistance, excellent resistance to fuels, .080" (2mm) diameter
 Fluoropolymer Jacketed Wire Rope	Translucent FEP jacket over stainless steel, -65° to +200°C., fair flexibility, good abrasion resistance, .100" diameter
 Sash Chain	Stainless steel, #8 chain, .240" (6mm)
 <b>Slip Knot (SK)</b> for Attaching Covers to Cable	65° to +100°C., black, very flexible, very good abrasion resistance, good resistance to fuels, .120" (3mm) diameter. Length includes .5" (13mm) diameter loop.