

SERIES 80 MIGHTY MOUSE CONNECTORS Accessories, Backshells, and Tools



Series 800, 801, 803, 804, and 805 Rotatable Coupling, Non-Environmental Saddle Clamp



620MS065

Non-environmental saddle clamp backshells provide strain relief for open wire bundles. Add tubing or tape to build up smaller diameter wires to fit the clamps.

Rotatable coupling clamps offer greater flexibility and routing options and are available for Series 800, 801, 803, 804, and 805 Mighty Mouse connectors

NOTES

1. Material and finish
 - Coupling Nut, Clamp, and Saddles: Aluminum Alloy or SST passivate
 - Hardware: Stainless Steel

How To Order			
Sample Part Number	620MS065	M	07
Series (See Table I)	620MS065 = Straight Rotatable Coupling 620MB065 = 45° Rotatable Coupling 620MA065 = 90° Rotatable Coupling		
Shell Material and Finish	See Table I		
Size Code	05, 06, 11, 07, 08, 09, 10, 12, 13, 14, 15, 16, 17 ; see table II		

Table I: Material and Finish	
Sym	Description
C	Aluminum / Black Anodize (Non-Conductive) RoHS Compliant
M	Aluminum / Electroless Nickel
NF	Aluminum / Cadmium over Olive Drab
UCR	Aluminum / Zinc Cobalt / Black
ZN	Aluminum / Zinc-Nickel with Olive Drab Chromate
ZNU	Aluminum / Zinc-Nickel / Black Over Electroless Nickel
MT	Aluminum / Nickel-PTFE
Z1	Stainless Steel / Passivated

Table II: Size Codes												
Size Code	Shell Size Ref		A Thread Size Class-2B	B Max	C Max	D Max	E Max	F Max	G Dim	H Closed	J Dim	L Max
	800, 801 803, 804	805										
05	5	N/A	.2500-32 UNEF	.470 (11.94)	.603 (15.32)	.551 (14.00)	.806 (20.47)	.511 (12.98)	.496 (12.60)	.119 (3.02)	.119 (3.02)	.688 (17.48)
06	6	N/A	.3125-32 UNEF	.530 (13.46)	.675 (17.15)	.582 (14.78)	.850 (21.59)	.542 (13.77)	.582 (14.78)	.182 (4.62)	.182 (4.62)	.688 (17.48)
11	N/A	8	.3750-32 UNEF	.570 (14.48)	.675 (17.15)	.602 (15.29)	.850 (21.59)	.562 (14.27)	.582 (14.78)	.182 (4.62)	.182 (4.62)	.688 (17.48)
07	7	9	.4375-28 UNEF	.637 (16.18)	.675 (17.15)	.632 (16.05)	.850 (21.59)	.592 (15.04)	.656 (16.66)	.244 (6.20)	.244 (6.20)	.688 (17.48)
08	8	10	.5000-28 UNEF	.700 (17.78)	.743 (18.87)	.662 (16.81)	.887 (22.53)	.622 (15.80)	.726 (18.44)	.307 (7.80)	.307 (7.80)	.688 (17.48)
09	9	11	.5625-24 UNEF	.758 (19.25)	.743 (18.87)	.691 (17.55)	.887 (22.53)	.651 (16.54)	.726 (18.44)	.307 (7.80)	.307 (7.80)	.750 (19.05)
10	10	12	.6250-24 UNEF	.819 (20.80)	.805 (20.45)	.846 (21.49)	1.018 (25.86)	.770 (19.56)	.885 (22.48)	.369 (9.37)	.369 (9.37)	.750 (19.05)
12	11/12/13	13	.6875-24 UNEF	.896 (22.76)	.868 (22.05)	.881 (22.38)	1.061 (26.95)	.805 (20.45)	.952 (24.18)	.432 (10.97)	.432 (10.97)	.750 (19.05)
13	N/A	15	.7500-20 UNEF	.930 (23.62)	.868 (22.05)	.921 (23.39)	1.091 (27.71)	.855 (21.72)	.952 (24.18)	.432 (10.97)	.432 (10.97)	.750 (19.05)
14	14/15/16/17	18/19	.9375-20 UNEF	1.137 (28.88)	.993 (25.22)	.998 (25.35)	1.146 (29.11)	.922 (23.42)	1.018 (25.86)	.494 (12.55)	.494 (12.55)	.750 (19.05)
15	14/15/16/17	18/19	.9375-20 UNEF	1.137 (28.88)	1.055 (26.80)	1.060 (26.92)	1.208 (30.68)	.984 (24.99)	1.148 (29.16)	.619 (15.72)	.619 (15.72)	.750 (19.05)
16	19	21	1.0625-18 UNEF	1.230 (31.24)	1.243 (31.57)	1.090 (27.69)	1.325 (33.65)	.950 (24.13)	1.273 (32.33)	.744 (18.90)	.744 (18.90)	.750 (19.05)
17	21	23	1.1875-18 UNEF	1.387 (35.23)	1.312 (33.32)	1.151 (29.24)	1.495 (37.97)	1.042 (26.47)	1.400 (35.56)	.869 (22.07)	.869 (22.07)	.750 (19.05)

ACCESSORIES, BACKSHELLS, AND TOOLS

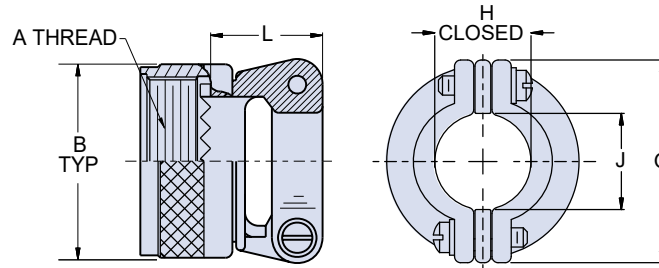


SERIES 80 MIGHTY MOUSE CONNECTORS Accessories, Backshells, and Tools



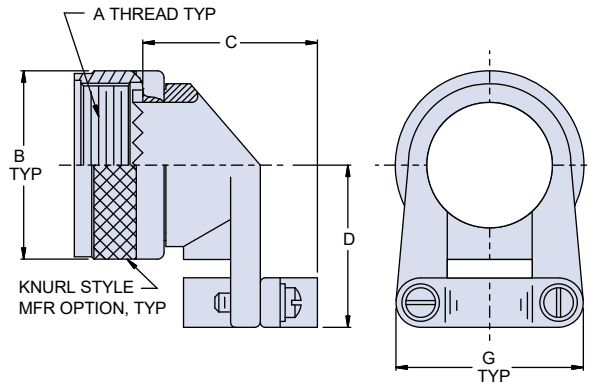
Series 800, 801, 803, 804 and 805 Rotatable Coupling, Non-Environmental Saddle Clamp

STRAIGHT ROTATABLE COUPLING CLAMP



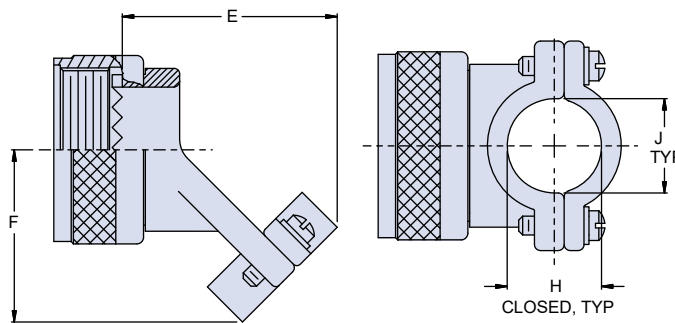
SYMBOL S: STRAIGHT
ROTATABLE COUPLING
620MS065

90° ROTATABLE COUPLING CLAMP



ROTATABLE COUPLING SYMBOL A: 90°
620MA065

45° ROTATABLE COUPLING CLAMP



ROTATABLE COUPLING SYMBOL B: 45°
620MB065

ACCESSORIES, BACKSHELLS, AND TOOLS