

# SERIES 80 MIGHTY MOUSE CONNECTORS Accessories, Backshells, and Tools



## Series 800, 801, 803, 804, and 805 Direct Coupling, Environmental Saddle Clamp Backshell



370MS037

Straight entry, direct coupling environmental backshell features silicone O-rings for a watertight seal. Thread-on saddle bar clamp for strain relief of wire bundles or compression nut for environmental sealing of jacketed cables.

Table IV: Cover Style	
<b>Omit</b> Thread-On Clamp with Saddle Bars	<b>N</b> Compression Nut

How To Order						
<b>Sample Part Number</b>	<b>370MS037</b>	<b>C</b>	<b>10</b>	<b>05</b>	<b>-6</b>	<b>N</b>
<b>Series</b>	370MS037 = Straight Adptr					
<b>Shell Material and Finish</b>	See Table I					
<b>Size Code</b>	05, 06, 11, 07, 08, 09, 10, 12, 13, 14, 16, 17; See Table II					
<b>Cable Entry Code</b>	01, 02, 03, 04, 05, 06, 07, 08, 09, 10, 11, 12, 13;					
<b>Length</b>	Specify length in 1/8 inch increments (e.g. 6 = .75 inches). See Table I for standard length.					
<b>Clamp Style</b>	<b>Omit</b> = screw clamp with saddle bars <b>N</b> = Compression Nut, Low Profile					

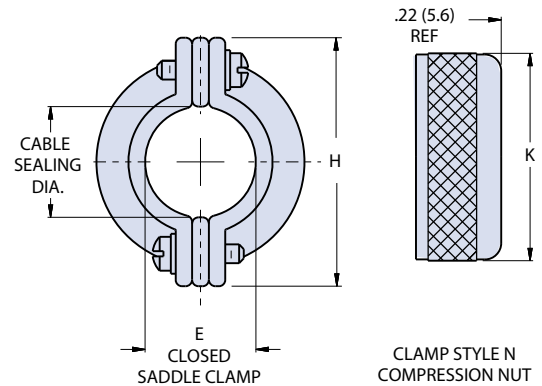
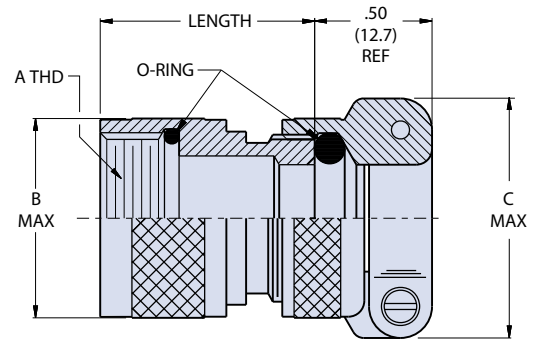


Table I: Material and Finish	
Sym	Description
<b>M</b>	Aluminum / Electroless Nickel
<b>NF</b>	Aluminum / Cadmium with Olive Drab
<b>ZN</b>	Aluminum / Zinc-Nickel with Olive Drab Chromate
<b>ZNU</b>	Aluminum / Zinc-Nickel with Black Chromate
<b>MT</b>	Aluminum / Nickel-PTFE
<b>Z1</b>	Stainless Steel / Passivated

Table II: Coupling Size Codes and Dimensions					
Size Code	Shell Size Ref		A Thread Class -2B	B Max.	Std Length
	800/801 803/804	805			
05	5	N/A	1/4 - 32 UNEF	.470 (11.94)	.75 (19.05)
06	6	N/A	5/16 - 32 UNEF	.530 (13.46)	.75 (19.05)
11	N/A	8	3/8 - 32 UNEF	.570 (14.48)	.75 (19.05)
07	7	9	7/16 - 28 UNEF	.637 (16.18)	.75 (19.05)
08	8	10	1/2 - 28 UNEF	.700 (17.78)	.75 (19.05)
09	9	11	9/16 - 24 UNEF	.758 (19.25)	.75 (19.05)
10	10	12	5/8 - 24 UNEF	.819 (20.80)	.75 (19.05)
12	11 thru 13	13	11/16 - 24 UNEF	.896 (22.76)	.88 (22.35)
13	N/A	15	3/4 - 20 UNEF	.930 (23.62)	.88 (22.35)
14	14 thru 17	18/19	15/16 - 20 UNEF	1.137 (28.88)	1.00 (25.40)
16	19	21	1 1/16 - 18 UNEF	1.230 (31.24)	1.00 (25.40)
17	21	23	1 3/16 - 18 UNEF	1.280 (32.51)	1.13 (28.70)

Table III: Cable Entry Codes and Dimensions					
Dash No	Cable Sealing Dia		C Dim	D Dia	E Dia Closed
	Max	Min			
01	.109 (2.77)	.031 (0.79)	.496 (12.60)	.398 (10.11)	.11 (2.79)
02	.172 (4.37)	.078 (1.98)	.582 (14.78)	.460 (11.68)	.17 (4.32)
03	.234 (5.94)	.140 (3.56)	.656 (16.66)	.523 (13.28)	.23 (5.84)
04	.297 (7.54)	.203 (5.16)	.726 (18.44)	.585 (14.86)	.30 (7.62)
05	.359 (9.12)	.265 (6.73)	.885 (22.48)	.647 (16.43)	.36 (9.14)
06	.422 (10.72)	.328 (8.33)	.952 (24.18)	.710 (18.03)	.42 (10.67)
07	.484 (12.29)	.390 (9.91)	1.018 (25.86)	.773 (19.63)	.48 (12.19)
08	.547 (13.89)	.453 (11.51)	1.084 (27.53)	.835 (21.21)	.55 (13.97)
09	.609 (15.47)	.515 (13.08)	1.148 (29.16)	.897 (22.78)	.61 (15.49)
10	.672 (17.07)	.578 (14.68)	1.211 (30.76)	.959 (24.36)	.67 (17.02)
11	.734 (18.64)	.640 (16.26)	1.273 (32.33)	1.021 (25.93)	.73 (18.54)
12	.859 (21.82)	.765 (19.43)	1.400 (35.56)	1.083 (27.51)	.86 (21.84)
13	1.000 (25.40)	.906 (23.01)	1.539 (39.09)	1.145 (29.08)	.99 (25.15)

ACCESSORIES, BACKSHELLS, AND TOOLS