

SERIES 80 MIGHTY MOUSE CONNECTORS Accessories, Backshells, and Tools



Series 800, 801, 803, 804 and 805 Extended Length Shorting Cap with Rotatable Coupling



340MS001

Extended Length Shorting Cap Applications — Shorting caps are used to cover up exposed wires on the back of a shorting connector. Shorting connectors are used to protect critical circuits from static discharge.

Extended length shorting caps also provide the same protection but

accommodate the need for additional resistors and active electronics when needed.

Rotatable nut coupling makes for easy installation while mechanical detent aids the coupling nut in maintaining clamp force under shock and vibration to prevent backoff.

How To Order

Sample Part Number	340MS001	M	12	-5	E	A
Series	340MS001 Straight Backshell and Shorting Cap					
Material and Finish	C = Aluminum / Black Anodize (Non-Conductive) RoHS Compliant M = Aluminum / Electroless Nickel NF = Aluminum / Cadmium with Olive Drab ZN = Aluminum / Zinc-Nickel with Olive Drab Chromate ZNU = Aluminum / Zinc-Nickel with Black Chromate Z1 = Stainless Steel / Passivated					
Size Code	05, 06, 07, 08, 09, 10, 12, 13, 14, 16, 17 ; see Table I					
Length	Length in .5 inch increments. Example: 6 = 3.0 inches Standard minimum length is 1.00 inch (dash code -2)					
Attachment Sym	See Table II					
Attachment Length	Length in .5 inch increments. Example: 6 = 3.0 inches					
Att. Ring Dia.	See Table III					

Table II : Attachment Sym

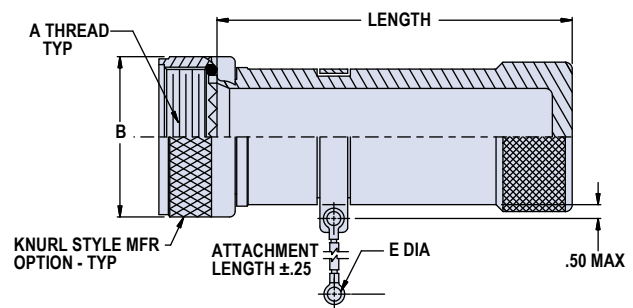
Sym	Description
C	No Attachment, Body Strap Only
D	Bead Chain, CRES/Passivate, with Terminal
E	Link Chain, CRES/Passivate, with Reverse Link
F	Wire Rope, Nylon Jacket with Terminal
G	Nylon Rope, with Terminal
H	SST Wire Rope, Fluoropolymer Jacket
N	Attachment Omitted
R	Wire Rope, Fluoropolymer Jacket, with Terminal
S	#8 Sash Chain, CRES/Passivate
U	SST Wire Rope, Polyurethane Jacket

Table I: Size Code and Dimensions

Size Code	Shell Size Reference		A Thread Class -2B	Ø B Max
	800/801 803/804	805		
05	5	N/A	1/4-32 UNEF	.470 (11.94)
06	6	N/A	5/16-32 UNEF	.530 (13.46)
11	N/A	8	3/8-32 UNEF	.570 (14.48)
07	7	9	7/16-28 UNEF	.637 (16.18)
08	8	10	1/2-28 UNEF	.700 (17.78)
09	9	11	9/16-24 UNEF	.758 (19.25)
10	10	12	5/8-24 UNEF	.819 (20.80)
12	11/12/13	13	11/16-24 UNEF	.896 (22.76)
13	N/A	15	3/4-20 UNEF	.930 (23.62)
14	14/15/16/17	18/19	15/16-20 UNEF	1.137 (28.88)
16	19	21	1 1/16-18 UNEF	1.230 (31.24)
17	21	23	1 3/16-18 UNEF	1.387 (35.23)

Table III: Attachment Ring Diameter

Symbol	E Dia.	Symbol	E Dia.
A	.140	D	.191
B	.167	E	.125
C	.182	F	.218



ACCESSORIES, BACKSHELLS, AND TOOLS