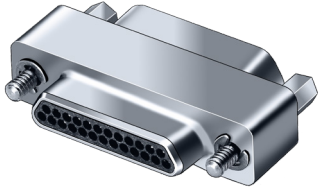


GHSM-USP1 Sav-Con® Connector Saver  
2-row, 9 thru 67 position

GHSM-USP1 SAV-CON®

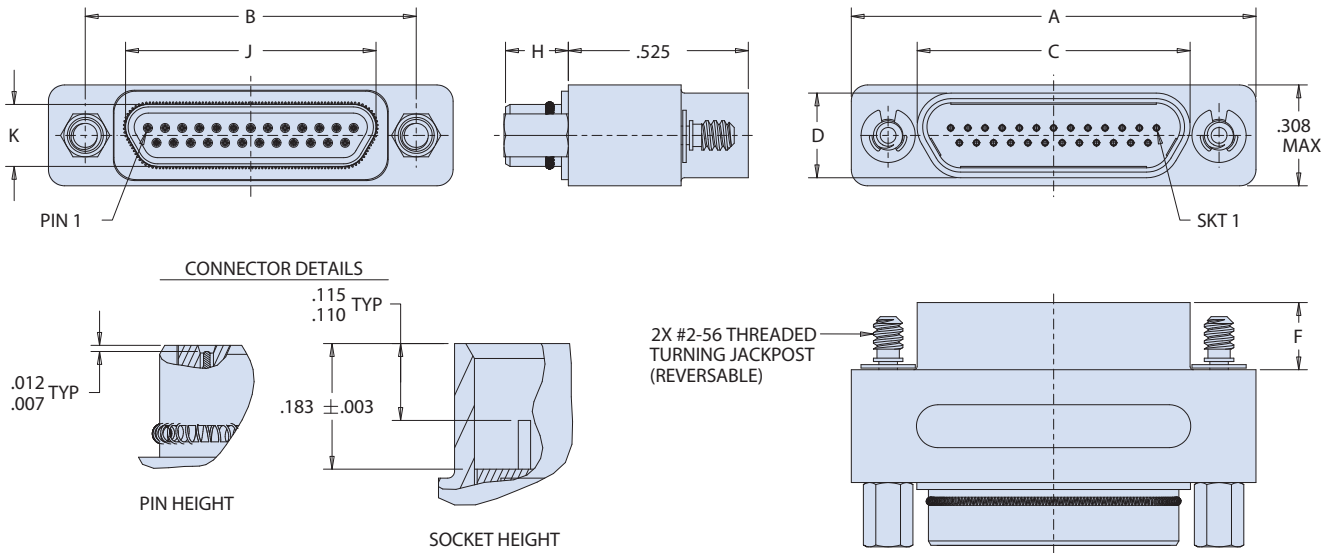


GHSM-USP1 Sav-Con®  
for High-speed Micro-D

**PROTECT SENSITIVE EQUIPMENT WITH THE GHSM-USP1 SAV-CON® CONNECTOR SAVER**

Prevent contact damage and extend the service life of cable assemblies. Protect High-Speed Micro-D connectors that are mated and unmated frequently during manufacturing, test, check-out phases, and environmental test programs. Sav-Con®s prevent costly repair or replacement by absorbing connect and disconnect abuse.

**How-To-Order / Dimensions**



Part Number	A Max	B±.003	C Max	D Max	F±.003	H±.003	J Max	K Max
GHSM2R-9USP1	.785 (19.94)	.565 (14.35)	.400 (10.16)	.250 (6.35)	.195 (4.95)	.183 (4.65)	.33 (8.38)	.184 (4.67)
GHSM2R-15USP1	.935 (23.75)	.715 (18.16)	.551 (14.00)				.483 (12.27)	
GHSM2R-21USP1	1.085 (27.56)	.865 (21.97)	.701 (17.81)				.633 (16.08)	
GHSM2R-25USP1	1.185 (30.10)	.965 (24.51)	.801 (20.35)				.733 (18.62)	
GHSM2R-31USP1	1.335 (33.91)	1.115 (28.32)	.951 (24.16)				.833 (21.16)	
GHSM2R-37USP1	1.485 (37.72)	1.265 (32.13)	1.101 (27.97)				1.033 (26.24)	
GHSM2R-51USP1	1.835 (46.61)	1.615 (41.02)	1.450 (36.83)				1.384 (35.15)	
GHSM2R-67USP1	2.235 (56.77)	2.015 (51.18)	1.850 (46.99)				1.784 (45.31)	