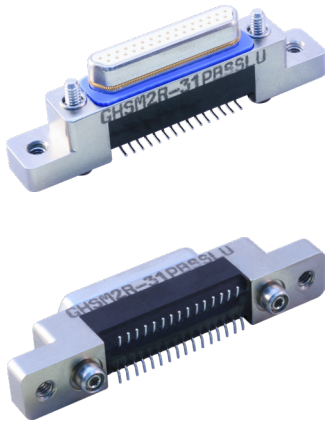


GHSM-BSS Straight surface-mount
pin and socket PCB connectors (jackscrew hardware)

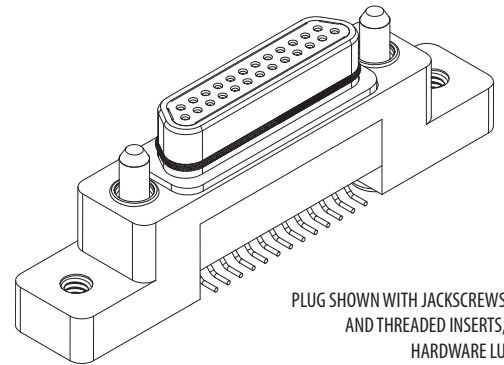
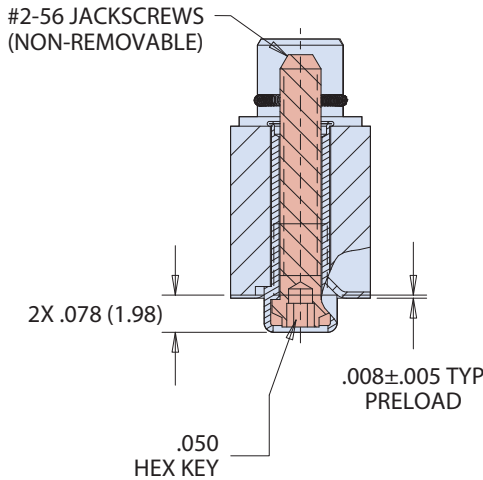
GHSM-BSS



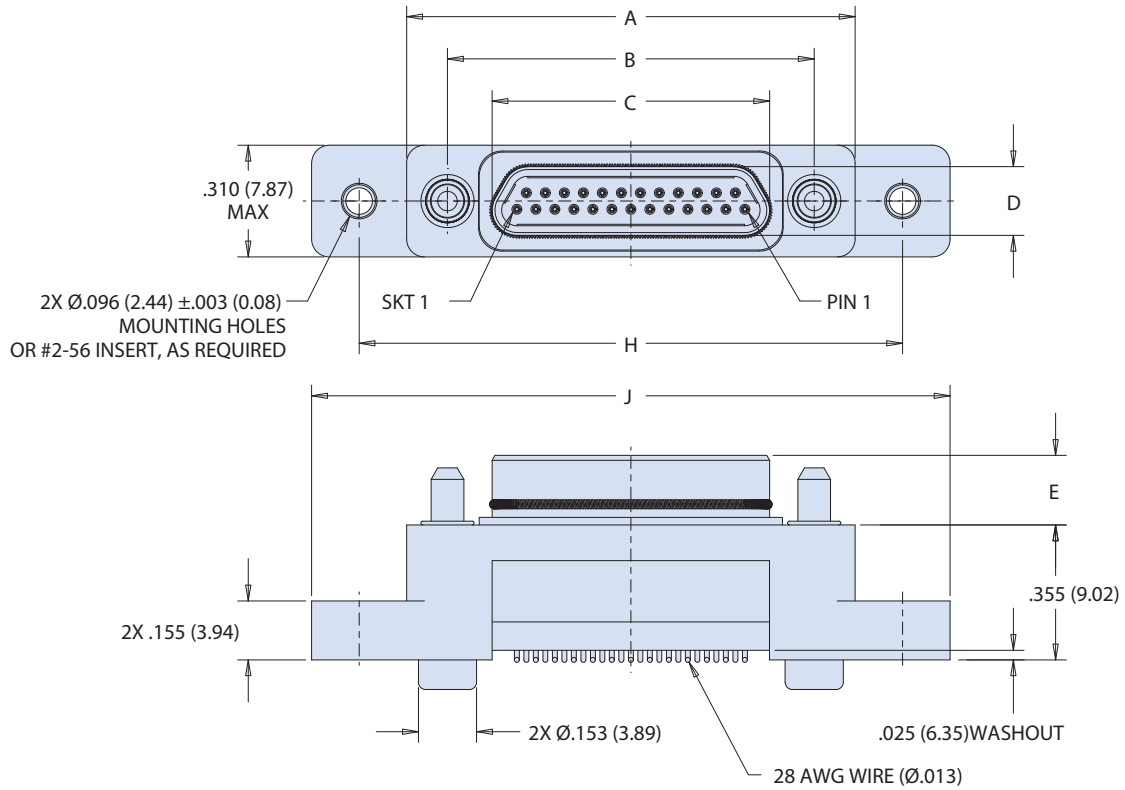
		How To Order							
Sample Part Number		GHSM	2	R	-25	S	BSS	LU	-513
Series	GHSM = Glenair High-Speed Micro-D, Straight								
Shell Finish	2 = Nickel 5 = Gold								
Insulator Material	R = PPS								
Contact Layout	9, 15, 21, 25, 31, 37, 51-2, 67								
Contact Type	P = Pin (Plug) S = Socket (Receptacle)								
Termination Type	BSS = Board Straight Surface Mount								
Hardware Type (see options below)	Jackscrews and Mounting Holes, with or without Threaded Insert LU = Hex Head Jackscrews (Non-Removable) with Threaded Inserts L = Hex Head Jackscrews (Non-Removable) with Thru-Holes								
Gold-Plated Terminal	Connectors are solder-dipped in 60/40 Tin-Lead solder								
Mod Code	To delete solder dip and change to gold-plated terminals, add Mod Code -513								

HARDWARE OPTIONS

LU/L STYLE



GHSM-BSS Straight surface-mount
pin and socket PCB connectors (jackscrew hardware)

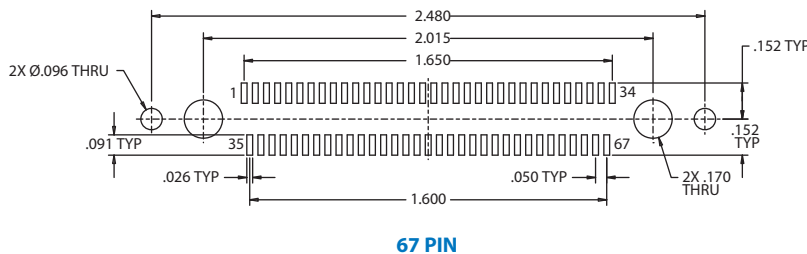
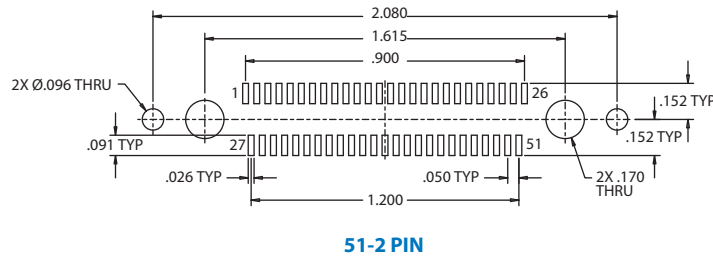
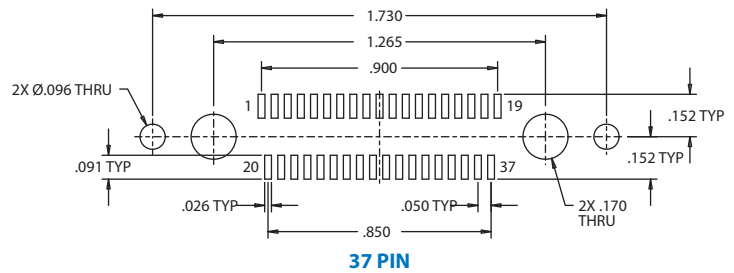
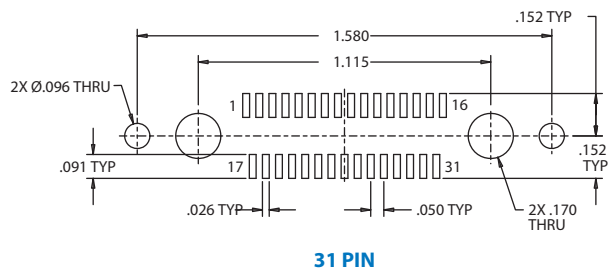
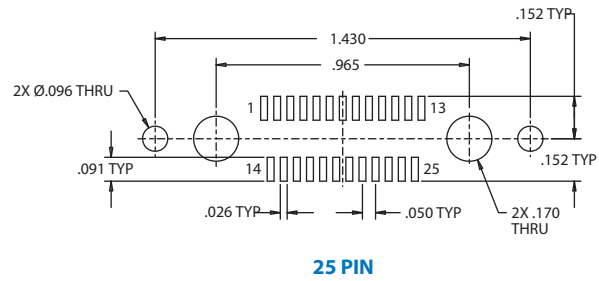
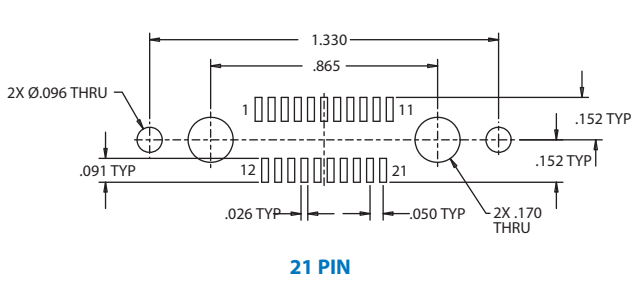
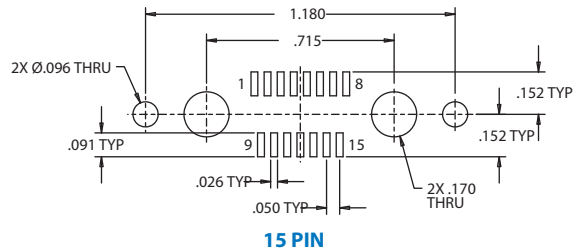
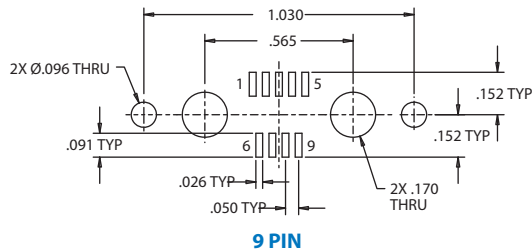


GHSM-BSS

Dimensions							
LAYOUT	A MAX	B±.003	C MAX	D MAX	E±.003	H	J MAX
9P	.785 (19.94)	.565 (14.35)	.333 (8.46)	.184 (4.67)	.183 (4.65)	1.030 (26.16)	1.285 (32.64)
9S	.785 (19.94)	.565 (14.35)	.400 (10.16)	.250 (6.35)	.195 (4.95)	1.030 (26.16)	1.285 (32.64)
15P	.935 (23.75)	.715 (18.16)	.483 (12.27)	.184 (4.67)	.183 (4.65)	1.180 (29.97)	1.435 (36.45)
15S	.935 (23.75)	.715 (18.16)	.551 (14.00)	.250 (6.35)	.195 (4.95)	1.180 (29.97)	1.435 (36.45)
21P	1.085 (27.56)	.865 (21.97)	.633 (16.08)	.184 (4.67)	.183 (4.65)	1.330 (33.78)	1.585 (40.26)
21S	1.085 (27.56)	.865 (21.97)	.701 (17.81)	.250 (6.35)	.195 (4.95)	1.330 (33.78)	1.585 (40.26)
25P	1.185 (30.10)	.965 (24.51)	.733 (18.62)	.184 (4.67)	.183 (4.65)	1.430 (36.32)	1.685 (42.80)
25S	1.185 (30.10)	.965 (24.51)	.801 (20.35)	.250 (6.35)	.195 (4.95)	1.430 (36.32)	1.685 (42.80)
31P	1.335 (33.91)	1.115 (28.32)	.883 (22.43)	.184 (4.67)	.183 (4.65)	1.580 (40.13)	1.835 (46.61)
31S	1.335 (33.91)	1.115 (28.32)	.951 (24.16)	.250 (6.35)	.195 (4.95)	1.580 (40.13)	1.835 (46.61)
37P	1.485 (37.72)	1.265 (32.13)	1.033 (26.24)	.184 (4.67)	.183 (4.65)	1.730 (43.94)	1.985 (50.42)
37S	1.485 (37.72)	1.265 (32.13)	1.101 (27.97)	.250 (6.35)	.195 (4.95)	1.730 (43.94)	1.985 (50.42)
51-2P	1.835 (46.61)	1.615 (41.02)	1.384 (35.15)	.184 (4.67)	.183 (4.65)	2.080 (52.83)	2.335 (59.31)
51-2S	1.835 (46.61)	1.615 (41.02)	1.450 (36.83)	.250 (6.35)	.195 (4.95)	2.080 (52.83)	2.335 (59.31)
67P	2.235 (56.77)	2.015 (51.18)	1.784 (45.31)	.184 (4.67)	.183 (4.65)	2.480 (62.99)	2.735 (69.47)
67S	2.235 (56.77)	2.015 (51.18)	1.850 (46.99)	.250 (6.35)	.195 (4.95)	2.480 (62.99)	2.735 (69.47)

GHSM-BSS Straight surface-mount
pin and socket PCB connectors (jackscrew hardware)

GHSM-BSS



GHSM-BSS Straight surface-mount
pin and socket PCB connectors (jackscrew hardware)

GHSM-BSS

