

# **IPT SE and IPT Series**

## **Connector Accessories and Tools Section D**



**IT 3057-A Cable Clamp / IT 3057-C Cable Clamp**

**D-2 ; D-3**

**IT 3420 and IT 3420-A Neoprene Sleeve**

**D-4**

**IPT 3180-C and IPT 3180-CF Protective Plug Covers**

**D-5**

**IPT 3181-C and IPT 3181-CF Protective Receptacle Covers**

**D-6**

**IPT 3181-N and IPT 3181-NF Protective Receptacle Covers**

**D-7**

**IT 90376-R and IT 90376-Y Protective Receptacle and Plug Plastic Caps**

**D-8**

**IPT 3115 and IPT 3115A Dummy Stowage Receptacles**

**D-9**

**10-101949 and 10-101949-S Square Flange Panel Mount  
Receptacle Sealing Gaskets**

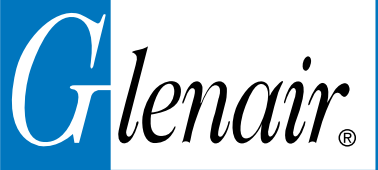
**D-10**

**10-101033-11 and 10-101033-12 Sealing Plug for Wire Sealing Grommet**

**D-11**

**IPT Series Tools / IPT SE Series Tools**

**D-12 ; D-13**



# IT 3057-A Cable Clamp

**Mod. Code Options**  
See Table II

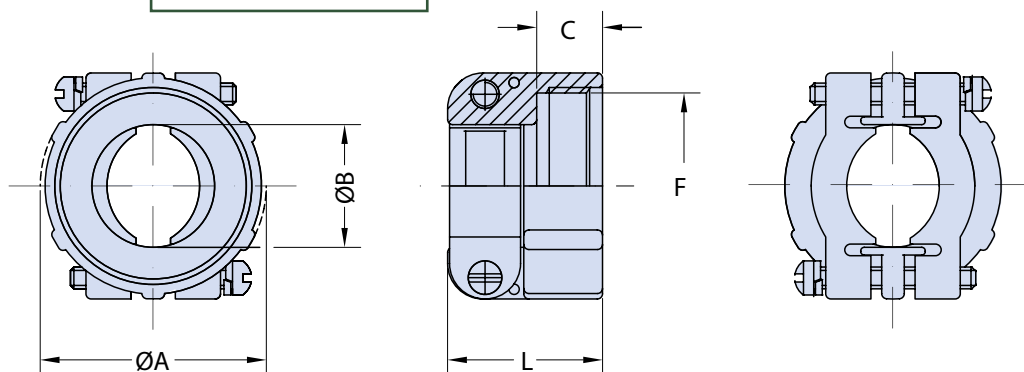
**IT**

**3057-16A**

**F11**

**MIL-DTL-26482 Serie I  
Accessory**

**Finish Options**  
See Table II



**TABLE II: MODIFICATION CODES**

Shell Finish (Omit for Standard Cad/Olive Drab Finish)
<b>F6</b> - Black Electrodeposited Paint (RoHs)
<b>F7</b> - Black Zinc Nickel (RoHs)
<b>F11</b> - Electroless Nickel (RoHs)
<b>MB</b> - Marine Bronze (RoHs)

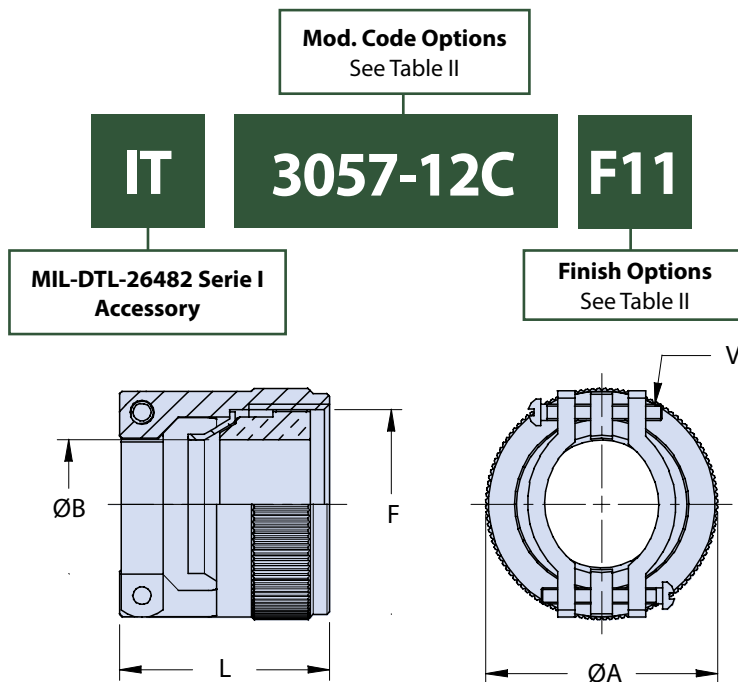
**Application Notes**

General duty cable clamp suitable for jacketed cable or wires protected by tubing.

**TABLE I: DIMENSIONS**

GLENAIR P/N	Shell size	Sleeve to use	ØA	ØB	C	F Thread in inches	L
IT3057 - 3A	8	IT3420 - 3	18	6.8	10.2	0.5000 - 28UNEF	20.6
IT3057 - 4A	10	IT3420 - 4	25	8.2	10.2	0.6250 - 24UNEF	21.0
IT3057 - 6A	12	IT3420 - 6	27	11.2	10.2	0.7500 - 20UNEF	22.2
IT3057 - 8A	14	IT3420 - 8	28	14.2	10.2	0.8750 - 20UNEF	24.0
IT3057 - 10A	16	IT3420 - 10	33	16.0	10.2	1.0000 - 20UNEF	28.5
IT3057 - 12A	18	IT3420 - 12	35	19.0	10.2	1.1875 - 18NEF	24.0
IT3057 - 12A	20	IT3420 - 12	35	19.0	10.2	1.1875 - 18NEF	24.0
IT3057 - 16A	22	IT3420 - 16	43	23.8	10.5	1.4375 - 18NEF	26.0
IT3057 - 16A	24	IT3420 - 16	43	23.8	10.5	1.4375 - 18NEF	26.0

# IT 3057-C Cable Clamp



**TABLE II: MODIFICATION CODES**

Shell Finish (Omit for Standard Cad/Olive Drab Finish)
<b>F6</b> - Black Electrodeposited Paint (RoHs)
<b>F7</b> - Black Zinc Nickel (RoHs)
<b>F11</b> - Electroless Nickel (RoHs)
<b>MB</b> - Marine Bronze (RoHs)

**Application Notes**

Waterproof cable clamp suitable for jacketed cable or wires protected by tubing. Assures watertight integrity of connector.



**TABLE I: DIMENSIONS**

GLENNAIR P/N	Shell size	Sleeve to use	ØA	ØB		F Thread in inches	L	V Thread
				min.	Max.			
IT3057 - 3C	8	IT3420 - 3A	20.0	0.68	5.56	0.5000 - 28UNEF	33.2	6 - 32 NC
IT3057 - 4C	10	IT3420 - 4A	22.6	2.38	7.93	0.6250 - 24UNEF	32.3	6 - 32 NC
IT3057 - 6C	12	IT3420 - 4A / 6A	25.8	5.84	11.12	0.7500 - 20UNEF	32.3	6 - 32 NC
IT3057 - 8C	14	IT3420 - 6A / 8A	28.1	8.00	13.84	0.8750 - 20UNEF	32.3	6 - 32 NC
IT3057 - 10C	16	IT3420 - 6A / 10A	31.0	9.60	15.87	1.0000 - 20UNEF	35.3	6 - 32 NC
IT3057 - 12C	18	IT3420 - 8A / 12A	37.3	11.30	19.00	1.1875 - 18NEF	35.7	8 - 32 NC
IT3057 - 12C	20	IT3420 - 8A / 12A	37.3	11.30	19.00	1.1875 - 18NEF	35.7	8 - 32 NC
IT3057 - 16C	22	IT3420 - 8A / 12A / 16A	42.0	15.50	23.80	1.4375 - 18NEF	38.5	8 - 32 NC
IT3057 - 16C	24	IT3420 - 8A / 12A / 16A	42.0	15.50	23.80	1.4375 - 18NEF	38.5	8 - 32 NC

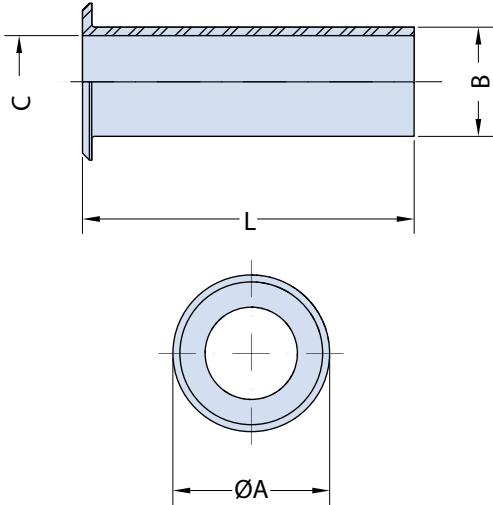
# IT 3420 and IT 3420-A Neoprene Sleeve

MIL-DTL-26482 Serie I  
Accessory

Basic Part Number  
and Shell Size

**IT**

**3420-3**



**TABLE I: CLASS A CABLE CLAMPS**

GLENAIR CODE	ØA	B	C	L
GLENAIR P/N	±0.1	±0.1	±0.1	±0.1
IT3420 - 3	9.5	5.33	3.30	73.0
IT3420 - 4	12.8	7.67	5.58	69.8
IT3420 - 6	15.7	10.84	7.92	66.8
IT3420 - 8	18.8	14.02	11.09	63.5
IT3420 - 10	22.0	15.62	14.27	60.3
IT3420 - 12	27.0	18.79	15.87	57.1
IT3420 - 16	33.3	23.54	19.05	53.9

**Application Notes**

IT3420 : Neoprene sleeve for protection and reduction, used with class A cable clamps.

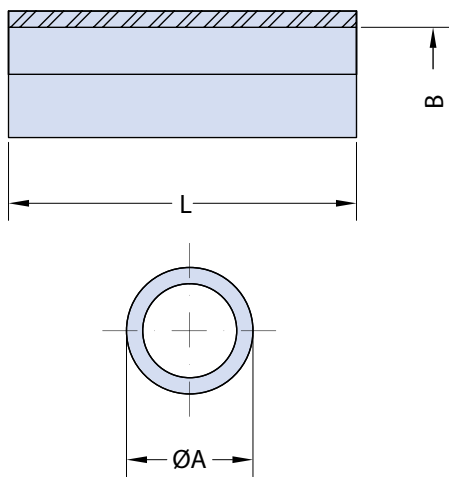
**D**

MIL-DTL-26482 Serie I  
Accessory

Basic Part Number  
and Shell Size

**IT**

**3420-3A**



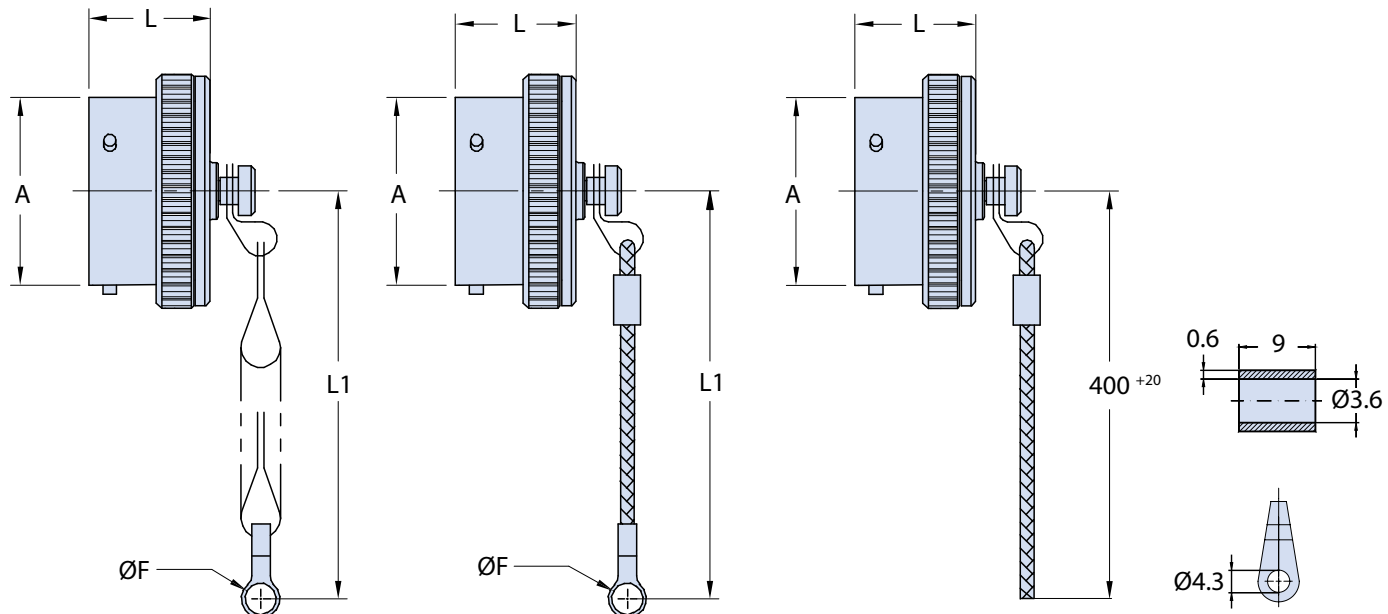
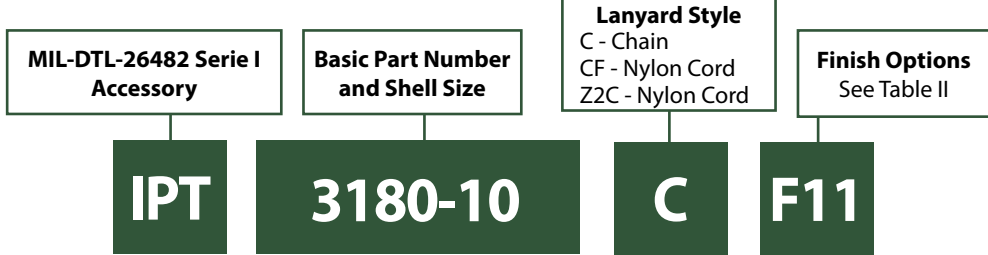
**TABLE II: CLASS C CABLE CLAMPS**

GLENAIR CODE	ØA	B	L
GLENAIR P/N	±0.1	±0.1	±0.1
IT3420 - 3A	5.30	2.90	50.5
IT3420 - 4A	7.63	5.56	50.5
IT3420 - 6A	10.50	7.93	50.5
IT3420 - 8A	13.50	11.10	50.5
IT3420 - 10A	15.70	11.10	50.5
IT3420 - 12A	18.50	13.74	50.9
IT3420 - 16A	23.60	19.00	50.9

**Application Notes**

IT3420-A : Neoprene sleeve for protection and reduction, used with class C cable clamps.

# IPT 3180-C and IPT 3180-CF Protective Plug Covers



**Example: IPT3180-18C**  
(Stainless Steel Chain)

**Example: IPT3180-18CF**  
(Nylon Cord)

**Example: IPT3180-18Z2C**  
(Nylon Cord with loose terminal link and sleeve)



GLENAIR P/N	Shell size	A +0.02 -0.12	ØF +0.2 0	L +0.6 0	L1 min.
IPT3180-8C	8	12.01	4.3	14.3	76.2
IPT3180-10C	10	14.98	4.3	14.3	76.2
IPT3180-12C	12	19.05	4.3	14.3	88.9
IPT3180-14C	14	22.22	4.3	14.3	88.9
IPT3180-16C	16	25.40	4.3	14.3	88.9
IPT3180-18C	18	28.57	4.3	14.3	88.9
IPT3180-20C	20	31.75	4.3	15.9	101.6
IPT3180-22C	22	34.92	4.3	15.9	101.6
IPT3180-24C	24	38.10	4.3	15.9	101.6

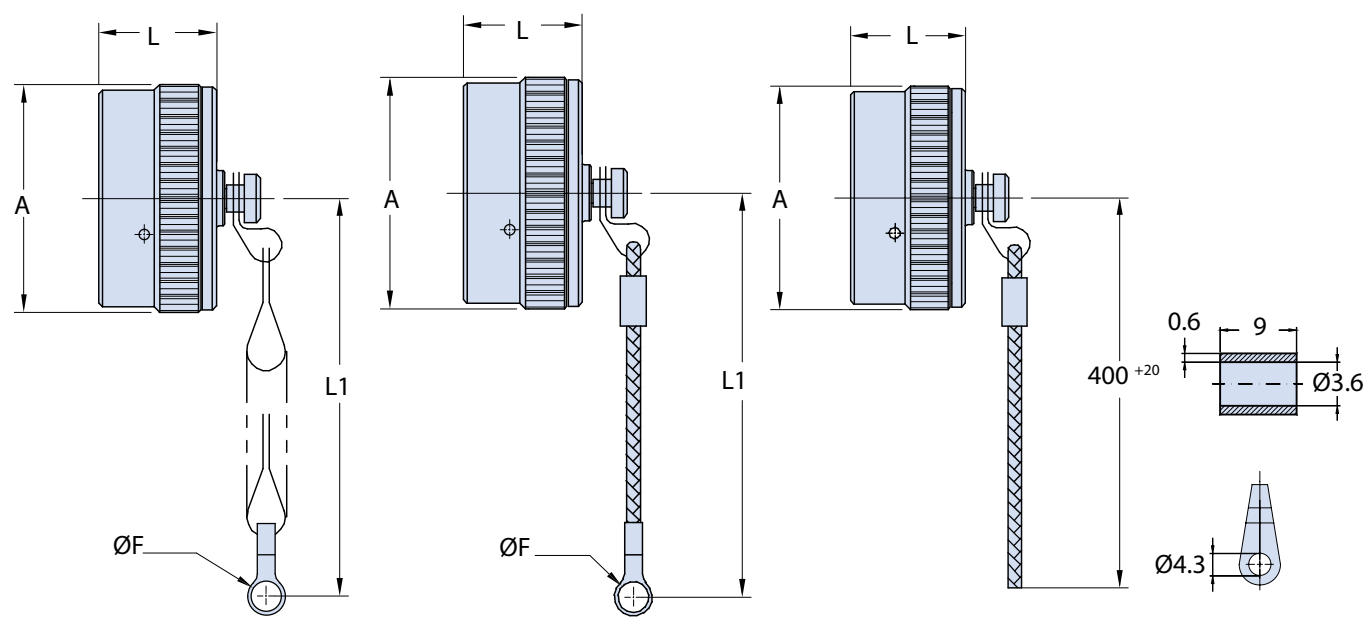
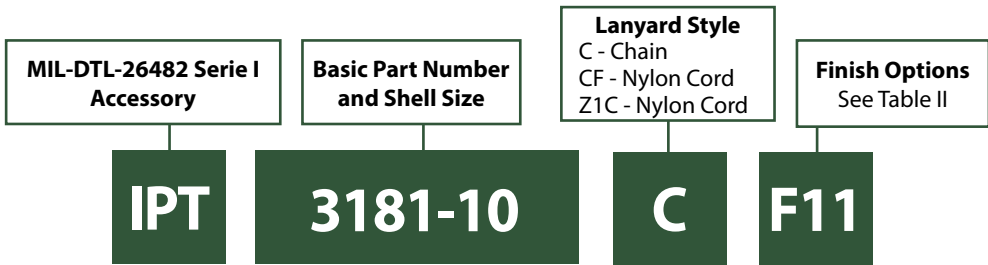
**Application Notes**  
Metal protective cover for plug connectors with stainless steel chain or nylon cord.

**TABLE II: MODIFICATION CODES**

Shell Finish (Omit for Standard Cad/Olive Drab Finish)
<b>F6</b> - Black Electrodeposited Paint (RoHs)
<b>F7</b> - Black Zinc Nickel (RoHs)
<b>F11</b> - Electroless Nickel (RoHs)
<b>MB</b> - Marine Bronze (RoHs)



# IPT 3181-C and IPT 3181-CF Protective Receptacle Covers



**Example: IPT3181-18C**  
(Stainless Steel Chain)

**Example: IPT3181-18CF**  
(Nylon Cord)

**Example: IPT3181-18Z1C**  
(Nylon Cord with loose terminal link and sleeve)

**TABLE I: DIMENSIONS**

GLENAIR P/N	Shell size	A Max.	ØF +0.2 -0	L +0.5 -0	L1 min.
IPT3181- 8C	8	17.95	4.3	14.30	76.2
IPT3181-10C	10	21.05	4.3	14.30	76.2
IPT3181-12C	12	25.40	4.3	14.30	88.9
IPT3181-14C	14	28.65	4.3	14.30	88.9
IPT3181-16C	16	31.90	4.3	14.30	88.9
IPT3181-18C	18	35.00	4.3	14.30	88.9
IPT3181-20C	20	38.00	4.3	14.30	101.6
IPT3181-22C	22	41.25	4.3	14.30	101.6
IPT3181-24C	24	44.40	4.3	15.55	101.6

**Application Notes**  
Metal protective cover for receptacle connectors with stainless steel chain or nylon cord.

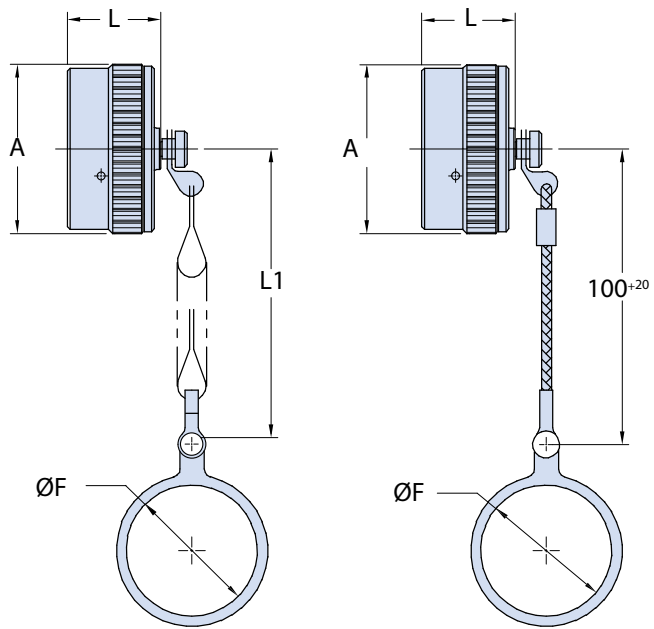
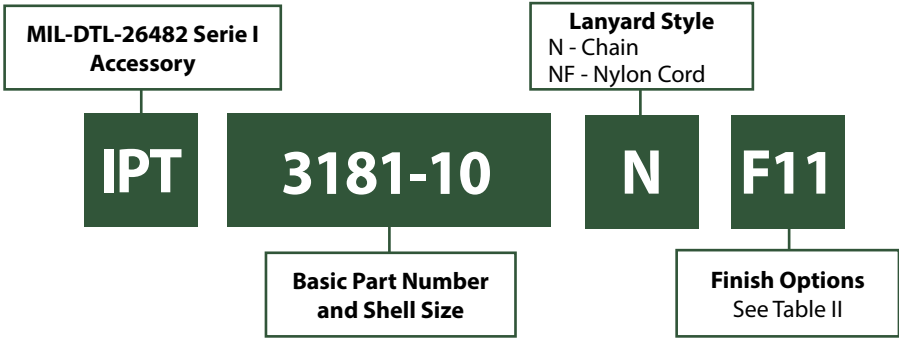
**TABLE II: MODIFICATION CODES**

Shell Finish (Omit for Standard Cad/Olive Drab Finish)
<b>F6</b> - Black Electrodeposited Paint (RoHs)
<b>F7</b> - Black Zinc Nickel (RoHs)
<b>F11</b> - Electroless Nickel (RoHs)
<b>MB</b> - Marine Bronze (RoHs)

# IPT 3181-N and IPT 3181-NF Protective Jam Nut Receptacle Covers



IPT Bayonet Lock  
Connector  
Accessories



**Example: IPT3181-18N**  
(Stainless Steel Chain)

**Example: IPT3181-18NF**  
(Nylon Cord)

**TABLE I: DIMENSIONS**

GLENAIR P/N	Shell size	A Max.	ØF +0.2 -0.1	L +0.25 -0	L1 ±3
IPT3181- 8N	8	17.95	14.70	14.30	76.2
IPT3181-10N	10	21.05	17.85	14.30	76.2
IPT3181-12N	12	25.40	22.65	14.30	88.9
IPT3181-14N	14	28.65	25.80	14.30	88.9
IPT3181-16N	16	31.90	29.00	14.30	88.9
IPT3181-18N	18	35.00	32.15	14.30	88.9
IPT3181-20N	20	38.00	35.35	14.30	101.6
IPT3181-22N	22	41.25	38.50	14.30	101.6
IPT3181-24N	24	44.40	41.00	15.55	101.6

**Application Notes**  
Metal protective cover for jam nut receptacle connectors with stainless steel chain or nylon cord.

**TABLE II: MODIFICATION CODES**

Shell Finish (Omit for Standard Cad/Olive Drab Finish)
<b>F6</b> - Black Electrodeposited Paint (RoHs)
<b>F7</b> - Black Zinc Nickel (RoHs)
<b>F11</b> - Electroless Nickel (RoHs)
<b>MB</b> - Marine Bronze (RoHs)



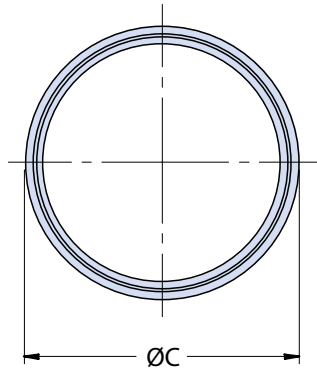
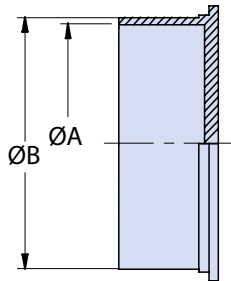
# IT 90376-R and IT 90376-Y Protective Receptacle and Plug Plastic Caps

MIL-DTL-26482 Serie I  
Accessory

Basic Part Number  
and Shell Size

**IT**

**90376-10R**



**Application Notes**

Plastic caps for protection against dust and damage.

**TABLE I: RECEPTACLE CAP DIMENSIONS**

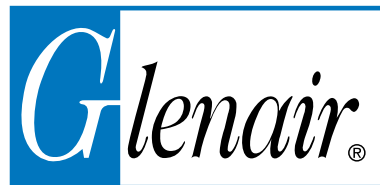
GLENAIR P/N	Shell size	ØA ±0.25	ØB ±0.25	ØC ±0.78
IT 90376- 8R	Receptacle 8	12.19	13.71	18.79
IT 90376-10R	Receptacle 10	15.36	16.89	21.33
IT 90376-14Y	Receptacle 12	18.28	19.68	24.63
IT 90376-16Y	Receptacle 14	21.59	22.98	28.57
IT 90376-18Y	Receptacle 16	24.71	26.28	30.98
IT 90376-20Y	Receptacle 18	27.76	29.33	33.78
IT 90376-22Y	Receptacle 20	31.26	33.04	37.21
IT 90376-24Y	Receptacle 22	34.03	35.81	40.38
IT 90376-24R	Receptacle 24	37.16	38.93	43.18

**TABLE II: PLUG CAP DIMENSIONS**

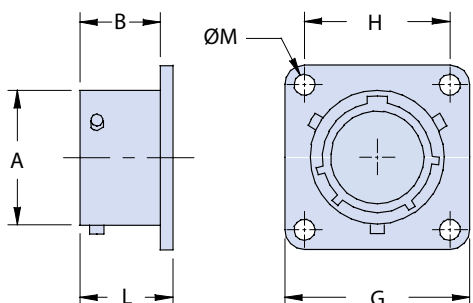
GLENAIR P/N	Shell size	ØA ±0.25	ØB ±0.25	ØC ±0.78
IT 90376- 8Y	Plug 8	10.49	12.26	17.01
IT 90376- 8R	Plug 10	13.46	15.11	19.05
IT 90376-12Y	Plug 12	16.63	18.16	21.84
IT 90376-12R	Plug 14	19.93	21.46	26.18
IT 90376-16Y	Plug 16	22.68	24.46	28.57
IT 90376-16R	Plug 18	26.11	27.63	31.75
IT 90376-18R	Plug 20	29.21	30.86	35.71
IT 90376-20R	Plug 22	32.25	34.03	38.10
IT 90376-22R	Plug 24	35.30	37.08	41.65



# IPT 3115 and IPT 3115A Dummy Stowage Receptacles

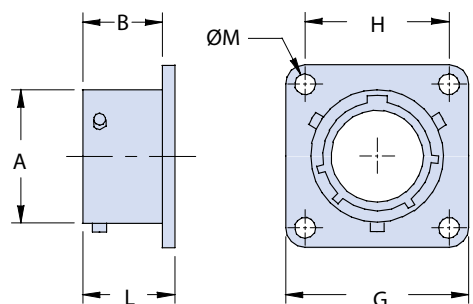


MIL-DTL-26482 Serie I Accessory	Basic Part Number and Shell Size	Finish Options See Table II
<b>IPT</b>	<b>3115-10</b>	<b>F11</b>



**Application Notes**  
IPT3115 : Dummy receptacle with rear base and seal.  
In conformity with MIL-DTL-26482 Serie I.

MIL-DTL-26482 Serie I Accessory	Basic Part Number and Shell Size	Finish Options See Table II
<b>IPT</b>	<b>3115-10A</b>	<b>F11</b>



**Application Notes**  
IPT3115A : Dummy receptacle without rear base and seal.



**TABLE I**

Shell size	A +0.02 -0.12	B +0.25 -0	G ±0.4	H ±0.1	L +0.6 -0.25	ØM +0.1 0
8	12.01	10.95	20.6	15.10	12.5	3.04
10	14.98	10.95	23.8	18.25	12.5	3.04
12	19.05	10.95	26.2	20.60	12.5	3.04
14	22.22	10.95	28.6	23.00	12.5	3.04
16	25.40	10.95	31.0	24.60	12.5	3.04
18	28.57	10.95	33.3	27.00	12.5	3.04
20	31.75	14.10	36.5	29.35	16.5	3.04
22	34.92	14.10	39.7	31.75	16.5	3.04
24	38.10	15.00	42.8	34.92	17.3	3.73

**TABLE II: MODIFICATION CODES**

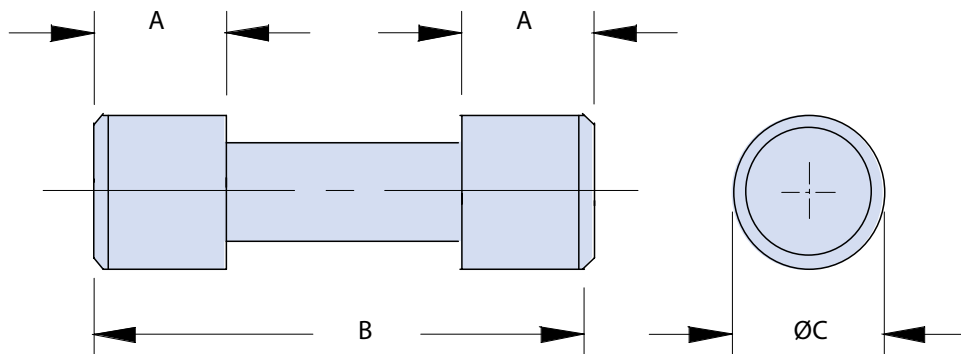
Shell Finish (Omit for Standard Cad/Olive Drab Finish)
<b>F6</b> - Black Electrodeposited Paint (RoHs)
<b>F7</b> - Black Zinc Nickel (RoHs)
<b>F11</b> - Electroless Nickel (RoHs)
<b>MB</b> - Marine Bronze (RoHs)

Sealing Plug  
for Wire Sealing Grommet



Basic Part Number

**10-101033**



**D**

TABLE I

GLENAIR P/N	Contact size	A ±0.13	B ±0.25	ØC ±0.13	Color
10-101033-11	20	2.92	9.53	2.92	Red
10-101033-12	16	3.17	11.91	3.68	Blue
10-101033-13	12	4.60	3.70	3.20	Yellow



# IPT Series Tools

## IPT CRIMP TOOLS - PIN CONTACTS

Diagram	Type of contact	Connector Size	A	ØB	ØC	ØD	Conductor Size		MANUAL TOOL	*PNEUMATIC TOOL TYPE "A"	TURRET	INSERTION TOOL		EXTRACTION TOOL					
							mm <sup>2</sup>	AWG											
	10-374-20	20S	8÷18	20,4	1	1,3	1,93	0,2÷0,5	20 22 24	M. 105001	M22520.1.01 AF8 DMC	M. 105003	WA27F DMC	M. 105011 (or M.105008)	M22520/1.02 DMC TH1A (or VH441 DMC)	M. 117346	GLENAIR IT TOOL	M. 118251	GLENAIR IT TOOL
	10-375-20	20	20÷24	24,3	1	1,3	1,93	0,2÷0,5	20 22 24	M. 105001	M22520.1.01 AF8 DMC	M. 105003	WA27F DMC	M. 105011 (or M.105008)	M22520/1.02 DMC TH1A (or VH441 DMC)	M. 117346	GLENAIR IT TOOL	M. 118251	GLENAIR IT TOOL
	10-374-16	16S	8÷18	22,3	1,57	1,72	2,6	0,5÷1	16 18 20	M. 105001	M22520.1.01 AF8 DMC	M. 105003	WA27F DMC	M. 105011 (or M.105008)	M22520/1.02 DMC TH1A (or VH441 DMC)	M. 117083	GLENAIR IT TOOL	M. 118251	GLENAIR IT TOOL
	10-375-16	16	20÷24	24,3	1,57	1,72	2,6	0,2÷0,5	16 18 20	M. 105001	M22520.1.01 AF8 DMC	M. 105003	WA27F DMC	M. 105011 (or M.105008)	M22520/1.02 DMC TH1A (or VH441 DMC)	M. 117083	GLENAIR IT TOOL	M. 118251	GLENAIR IT TOOL
	10-373-12S	12S	8÷18	22,5	2,38	2,5	3,8	2,5÷3	14 12	M. 105001	M22520.1.01 AF8 DMC	M. 105003	WA27F DMC	M. 105012	M22520/1.05	M. 117082	GLENAIR IT TOOL	M. 118250	GLENAIR IT TOOL
	10-373-12	12	8÷18	26,3	2,38	2,5	3,8	2,5÷3	14 12	M. 105001	M22520.1.01 AF8 DMC	M. 105003	WA27F DMC	M. 105012	M22520/1.05	M. 117082	GLENAIR IT TOOL	M. 118250	GLENAIR IT TOOL

## IPT CRIMP TOOLS - SOCKET CONTACTS

Diagram	Type of contact	Connector Size	A	ØB	ØC	ØD	Conductor Size		MANUAL TOOL	*PNEUMATIC TOOL TYPE "A"	TURRET	INSERTION TOOL		EXTRACTION TOOL		GUIDE PIN					
							mm <sup>2</sup>	AWG													
	10-571-20LC	20S	8÷18	20,4	1,08	1,3	1,93	0,2-0,5	20 22 24	M. 105001	M22520.1.0 1AF8 DMC	M. 105003	WA27F DMC	M. 105011 (or M.105008)	M22520/1.02 DMC TH1A (or VH441 DMC)	M. 117346	GLENAIR IT TOOL	M. 118251	GLENAIR IT TOOL	M. 125007	GLENAIR IT TOOL
	10-573-20LC	20	20÷24	24,3	1,08	1,3	1,93	0,2-0,5	20 22 24	M. 105001	M22520.1.0 1AF8 DMC	M. 105003	WA27F DMC	M. 105011 (or M.105008)	M22520/1.02 DMC TH1A (or VH441 DMC)	M. 117346	GLENAIR IT TOOL	M. 118251	GLENAIR IT TOOL	M. 125007	GLENAIR IT TOOL
	10-571-16LC	16S	8÷18	22,3	1,07	1,72	2,6	0,5 ÷1	16 18 20	M. 105001	M22520.1.0 1AF8 DMC	M. 105003	WA27F DMC	M. 105001 (or M.105008)	M22520/1.02 DMC TH1A (or VH441 DMC)	M. 117083	GLENAIR IT TOOL	M. 118251	GLENAIR IT TOOL	M. 125001	GLENAIR IT TOOL
	10-573-16LC	16	20÷24	24,3	1,07	1,72	2,6	0,5-1	16 18 20	M. 105001	M22520.1.0 1AF8 DMC	M. 105003	WA27F DMC	M. 105011 (or M.105008)	M22520/1.02 DMC TH1A (or VH441 DMC)	M. 117083	GLENAIR IT TOOL	M. 118251	GLENAIR IT TOOL	M. 125001	GLENAIR IT TOOL
	10-576-12S	12S	8÷18	21,45	2,48	2,5	3,8	2,5÷3	14 12	M. 105001	M22520.1.01 AF8 DMC	M. 105003	WA27F DMC	M. 105012	M22520/1.05	M. 117082	GLENAIR IT TOOL	M. 118250	GLENAIR IT TOOL	M. 125002	GLENAIR IT TOOL
	10-576-12	12	8÷18	25,4	2,48	2,5	3,8	2,5÷3	14 12	M. 105001	M22520.1.01 AF8 DMC	M. 105003	WA27F DMC	M. 105012	M22520/1.05	M. 117082	GLENAIR IT TOOL	M. 118250	GLENAIR IT TOOL	M. 125002	GLENAIR IT TOOL

\* Use together as alternative.

## IPT-SE CRIMP TOOLS - PIN AND SOCKET CONTACTS

	Type of contact	Conductor Size		MANUAL TOOL		*PNEUMATIC TOOL TYPE "A"		TURRET		INSERTION TOOL		EXTRACTION TOOL	
		mm <sup>2</sup>	AWG										
<b>10-314980-20P</b>	20	0,2-0,5	20 22 24	M. 105001	M22520.1.01 AF8 DMC	M. 105003	WA27F DMC	M. 105011 (or M.105008)	M22520/1.02 DMC TH1A (or VH441 DMC)	M. 117349	GLENAIR IT TOOL	M. 118290	GLENAIR IT TOOL
<b>10-314980-20S</b>	20	0,2-0,5	20 22 24	M. 105001	M22520.1.01 AF8 DMC	M. 105003	WA27F DMC	M. 105011 (or M.105008)	M22520/1.02 DMC TH1A (or VH441 DMC)	M. 117349	GLENAIR IT TOOL	M. 118290	GLENAIR IT TOOL
<b>10-314980-16S</b>	16	0,5 ±1	16 18 20	M. 105001	M22520.1.01 AF8 DMC	M. 105003	WA27F DMC	M. 105011 (or M.105008)	M22520/1.02 DMC TH1A (or VH441 DMC)	M. 117350	GLENAIR IT TOOL	M. 118291	GLENAIR IT TOOL
<b>10-314980-16P</b>	16	0,5 ±1	16 18 20	M. 105001	M22520.1.01 AF8 DMC	M. 105003	WA27F DMC	M. 105011 (or M.105008)	M22520/1.02 DMC TH1A (or VH441 DMC)	M. 117350	GLENAIR IT TOOL	M. 118291	GLENAIR IT TOOL

\* Use together as alternative.

