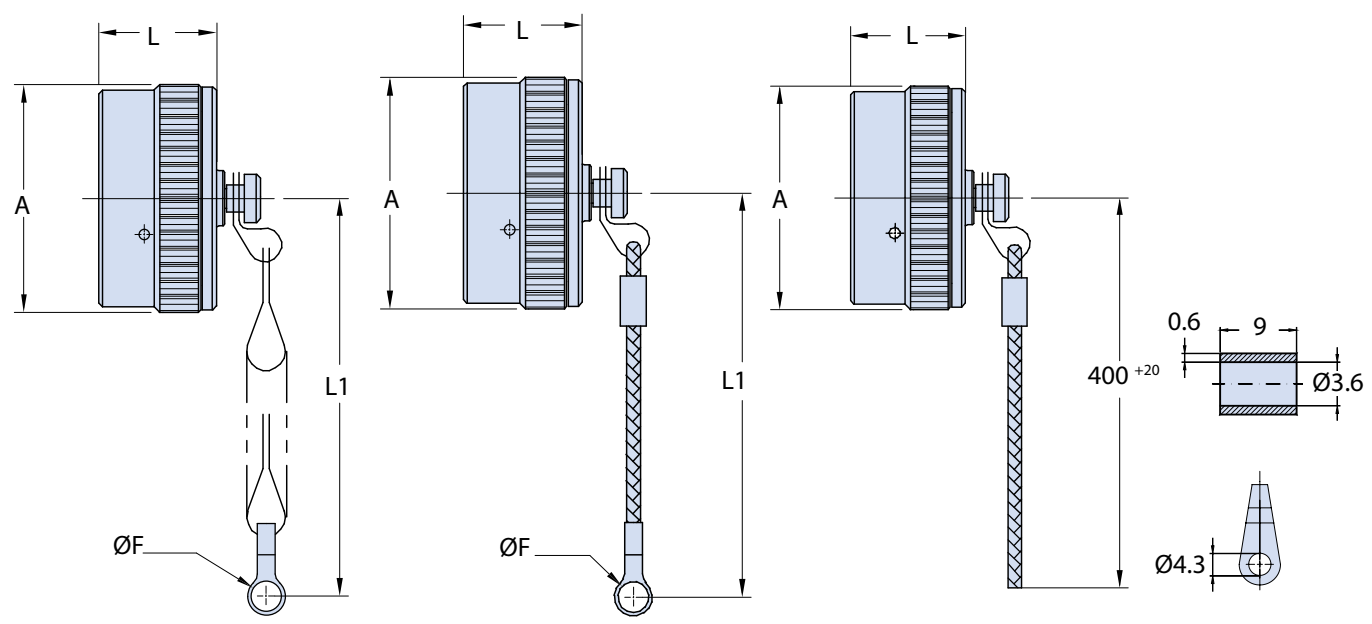
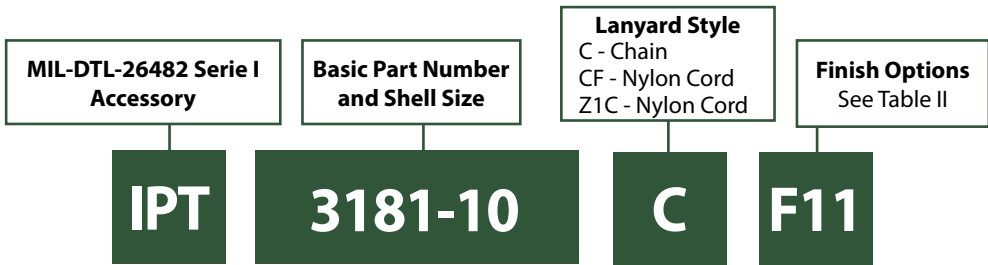




# IPT 3181-C and IPT 3181-CF Protective Receptacle Covers



**Example: IPT3181-18C**  
(Stainless Steel Chain)

**Example: IPT3181-18CF**  
(Nylon Cord)

**Example: IPT3181-18Z1C**  
(Nylon Cord with loose terminal link and sleeve)

**TABLE I: DIMENSIONS**

GLENAIR P/N	Shell size	A Max.	ØF +0.2 -0	L +0.5 -0	L1 min.
IPT3181- 8C	8	17.95	4.3	14.30	76.2
IPT3181-10C	10	21.05	4.3	14.30	76.2
IPT3181-12C	12	25.40	4.3	14.30	88.9
IPT3181-14C	14	28.65	4.3	14.30	88.9
IPT3181-16C	16	31.90	4.3	14.30	88.9
IPT3181-18C	18	35.00	4.3	14.30	88.9
IPT3181-20C	20	38.00	4.3	14.30	101.6
IPT3181-22C	22	41.25	4.3	14.30	101.6
IPT3181-24C	24	44.40	4.3	15.55	101.6

**Application Notes**  
Metal protective cover for receptacle connectors with stainless steel chain or nylon cord.

**TABLE II: MODIFICATION CODES**

Shell Finish (Omit for Standard Cad/Olive Drab Finish)
<b>F6</b> - Black Electrodeposited Paint (RoHs)
<b>F7</b> - Black Zinc Nickel (RoHs)
<b>F11</b> - Electroless Nickel (RoHs)
<b>MB</b> - Marine Bronze (RoHs)