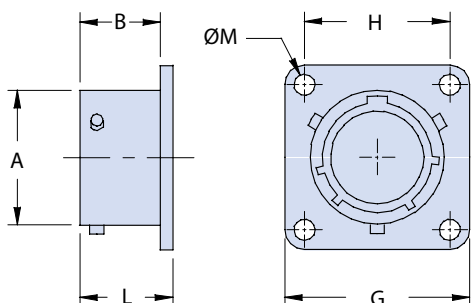


IPT 3115 and IPT 3115A Dummy Stowage Receptacles

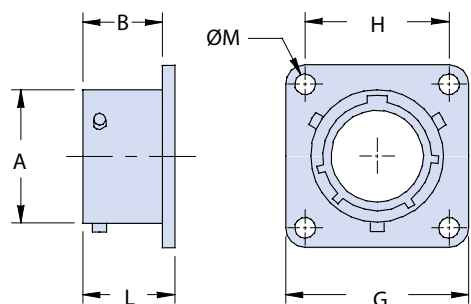


MIL-DTL-26482 Serie I Accessory	Basic Part Number and Shell Size	Finish Options See Table II
IPT	3115-10	F11



Application Notes
IPT3115 : Dummy receptacle with rear base and seal.
In conformity with MIL-DTL-26482 Serie I.

MIL-DTL-26482 Serie I Accessory	Basic Part Number and Shell Size	Finish Options See Table II
IPT	3115-10A	F11



Application Notes
IPT3115A : Dummy receptacle without rear base and seal.



TABLE I

Shell size	A +0.02 -0.12	B +0.25 -0	G ±0.4	H ±0.1	L +0.6 -0.25	ØM +0.1 0
8	12.01	10.95	20.6	15.10	12.5	3.04
10	14.98	10.95	23.8	18.25	12.5	3.04
12	19.05	10.95	26.2	20.60	12.5	3.04
14	22.22	10.95	28.6	23.00	12.5	3.04
16	25.40	10.95	31.0	24.60	12.5	3.04
18	28.57	10.95	33.3	27.00	12.5	3.04
20	31.75	14.10	36.5	29.35	16.5	3.04
22	34.92	14.10	39.7	31.75	16.5	3.04
24	38.10	15.00	42.8	34.92	17.3	3.73

TABLE II: MODIFICATION CODES

Shell Finish (Omit for Standard Cad/Olive Drab Finish)
F6 - Black Electrodeposited Paint (RoHs)
F7 - Black Zinc Nickel (RoHs)
F11 - Electroless Nickel (RoHs)
MB - Marine Bronze (RoHs)