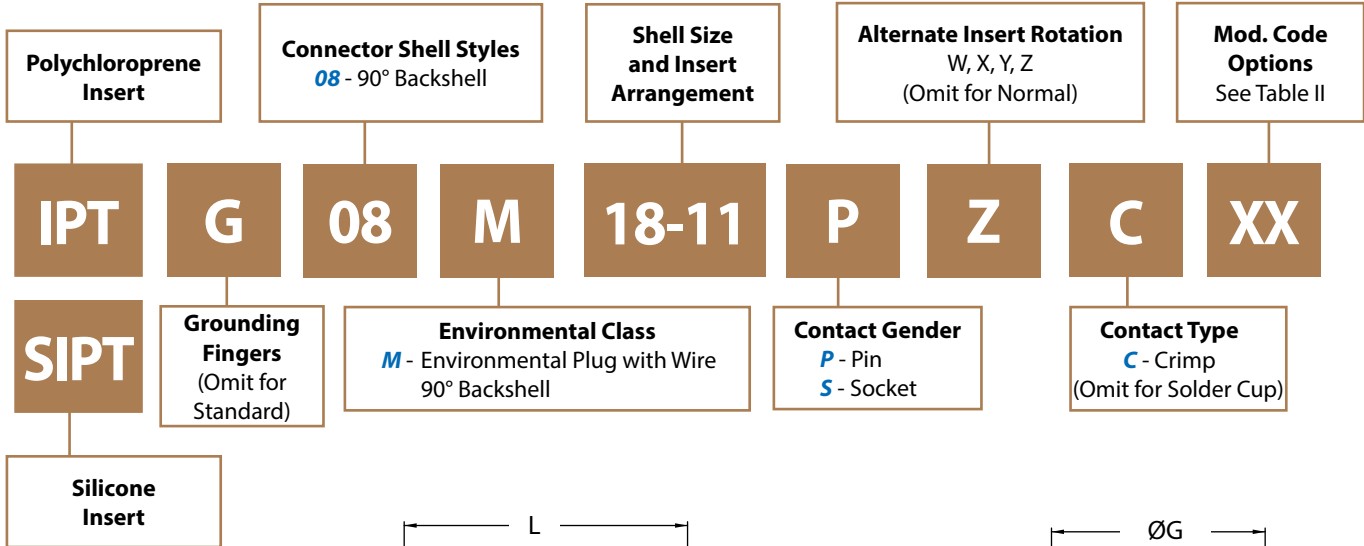
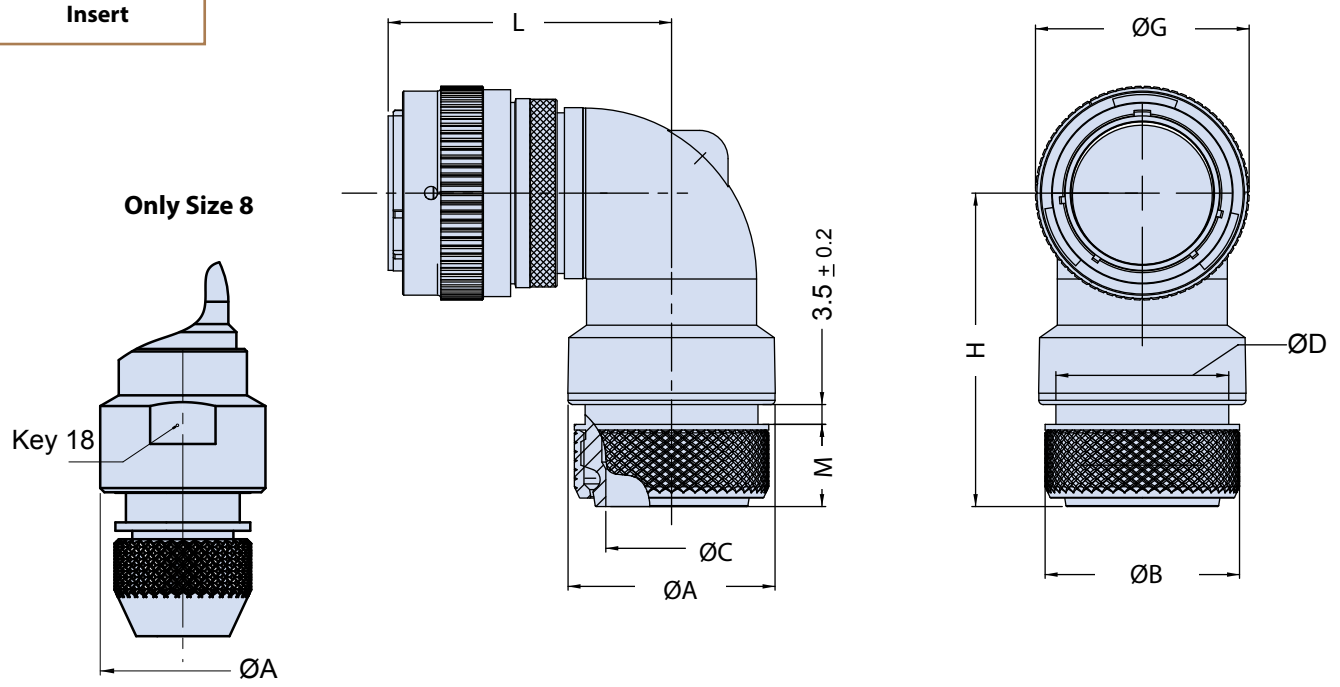




IPT 08 M Plug Connector with 90° Backshell for Shield Termination and Shrink Boot



C



- Application Notes**
1. Plug with 90° backshell for terminating shielded cable. Also suitable for heat shrink boots.
 2. Connector/Backshell Class "M" (environmental)—Wire sealing grommet supplied.
 3. Standard materials configuration consists of aluminum alloy.
 4. Standard contact material consists of copper alloy with gold plating over nickel.
 5. A broad range of other front and rear connector accessories are available. See our website and/or contact factory for complete information.
 6. Standard insert is high insulation synthetic rubber.

IPT 08 M
Plug Connector
 with 90° Backshell for Shield Termination and Shrink Boot



TABLE I: DIMENSIONS

Shell Size	ØA ± 0.2	ØB ± 0.2	ØC +0.1/0	ØD 0/-0.2	M ± 0.5	ØG ±0.2	L Max.	H Max.
8	19.6	16.20	6.80	13.50	13.50	18.10	34.50	45.50
10	19.05	18.30	9.30	15.80	12.50	21.05	37.50	45.10
12	22.00	22.30	12.25	19.80	13.50	25.15	37.50	48.00
14	25.50	25.30	15.40	22.60	14.50	28.40	39.20	49.50
16	30.175	28.30	18.50	26.00	14.50	31.60	44.40	52.70
18	30.175	32.30	20.20	28.20	14.50	35.00	46.60	56.60
20	36.60	34.30	23.30	30.50	14.50	37.70	50.50	55.80
22	36.60	38.20	26.00	34.00	14.50	40.20	54.40	59.60
24	44.80	41.30	29.00	37.20	14.50	44.00	55.70	58.60

TABLE II: MODIFICATION CODES

CONTACT OPTIONS	
Sym	Description
B0	Connector Without Contacts (Only for crimp version)
FINISH OPTIONS	
Sym	Description and RoHS compliant
F7	Black Zinc Nickel
F11	Electroless Nickel
MB	Marine Bronze
Omit for standard version (Cadmium Olive Drab Finish)	