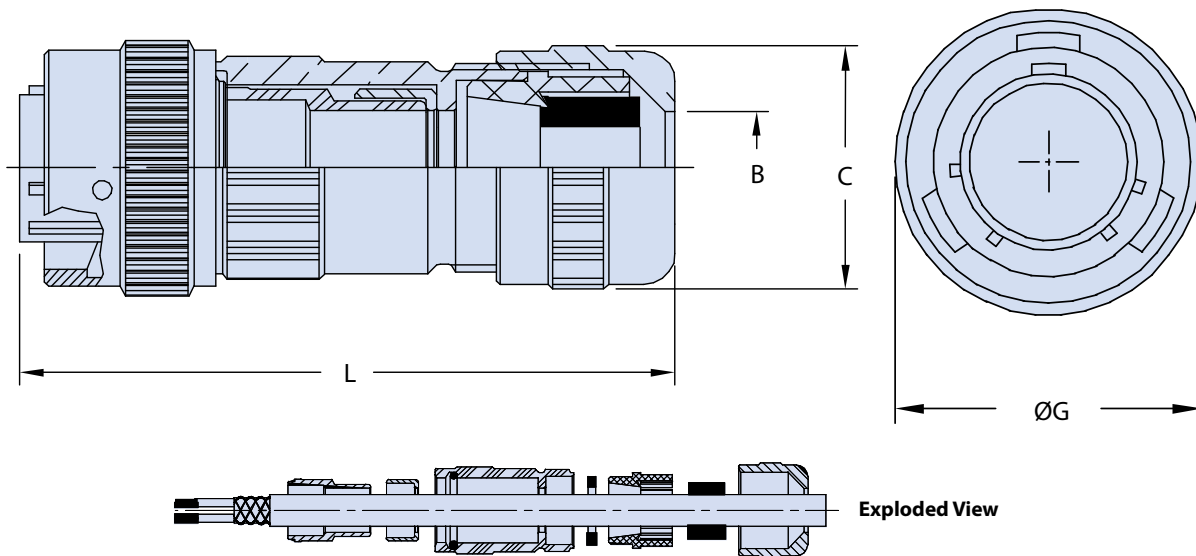
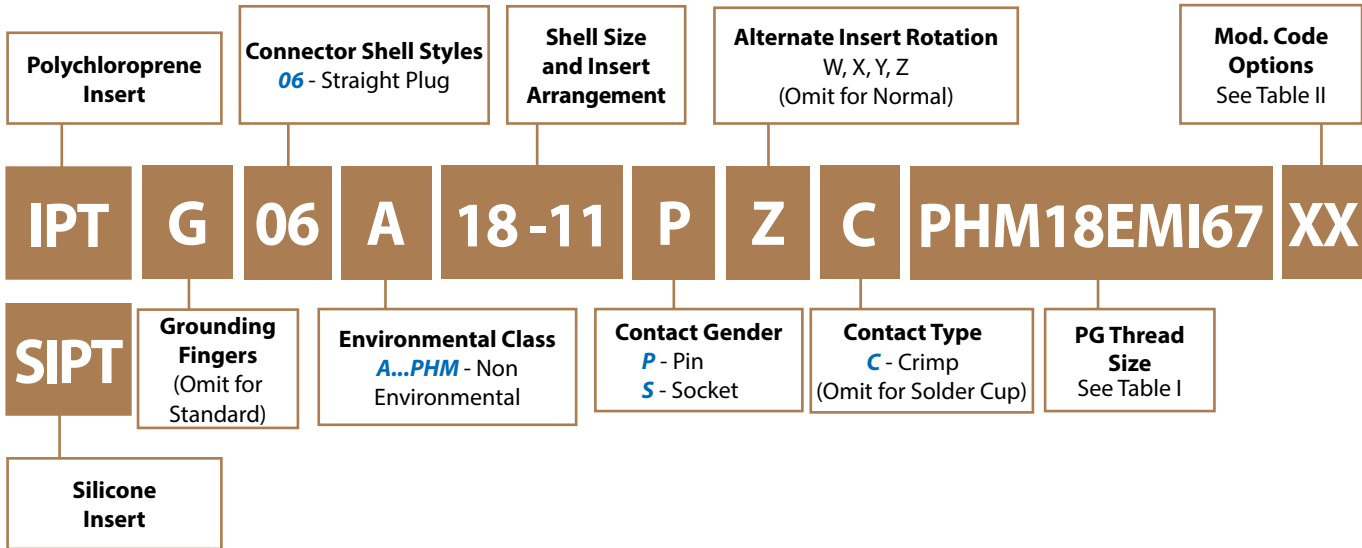




IPT 06 A...PHM__EMI67
Straight Plug Connector
with Backshell for EMI Shield Termination



Application Notes

1. Straight plug with PHM backshell includes rubber sleeves to allow use of different diameter cables.
2. Connector Class "A" (non-environmental)—no grommet supplied. PHM connector accessory provides environmental sealing to IP67.
3. Standard materials configuration consists of aluminum alloy.
4. Standard contact material consists of copper alloy with gold plating over nickel.
5. A broad range of other front and rear connector accessories are available. See our website and/or contact factory for complete information.
6. Standard insert is high insulation synthetic rubber.

IPT 06 A...PHM__EMI67
Straight Plug Connector
with Backshell for EMI Shield Termination

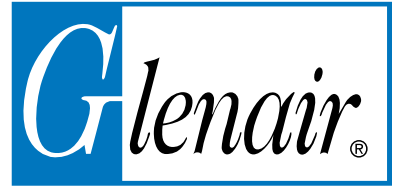


TABLE I: DIMENSIONS

Shell size	P.N. PHM	B min. - max.	C Max.	ØG ±0.2	L Max.
8	7	2 - 7	15.0	18.10	75
10	9	2 - 9	21.0	21.05	75
12	11	2 - 11	24.0	25.15	85
14	11	2 - 11	24.0	28.40	85
16	11	2 - 11	24.0	31.60	85
18	11 / 18	2 - 11 / 9 - 16.5	42.0	35.00	100
20	18	9 - 16.5	42.0	37.70	100
22	18	9 - 16.5	42.0	40.20	100
24	18 / 22 / 24	9 - 16.5 / 15 - 20 / 19 - 24	42.0	44.00	100

TABLE II: MODIFICATION CODES

CONTACT OPTIONS	
Sym	Description
B0	Connector Without Contacts (Only for crimp version)
FINISH OPTIONS	
Sym	Description and RoHS compliant
F7	Black Zinc Nickel
F11	Electroless Nickel
MB	Marine Bronze
Omit for standard version (Cadmium Olive Drab Finish)	