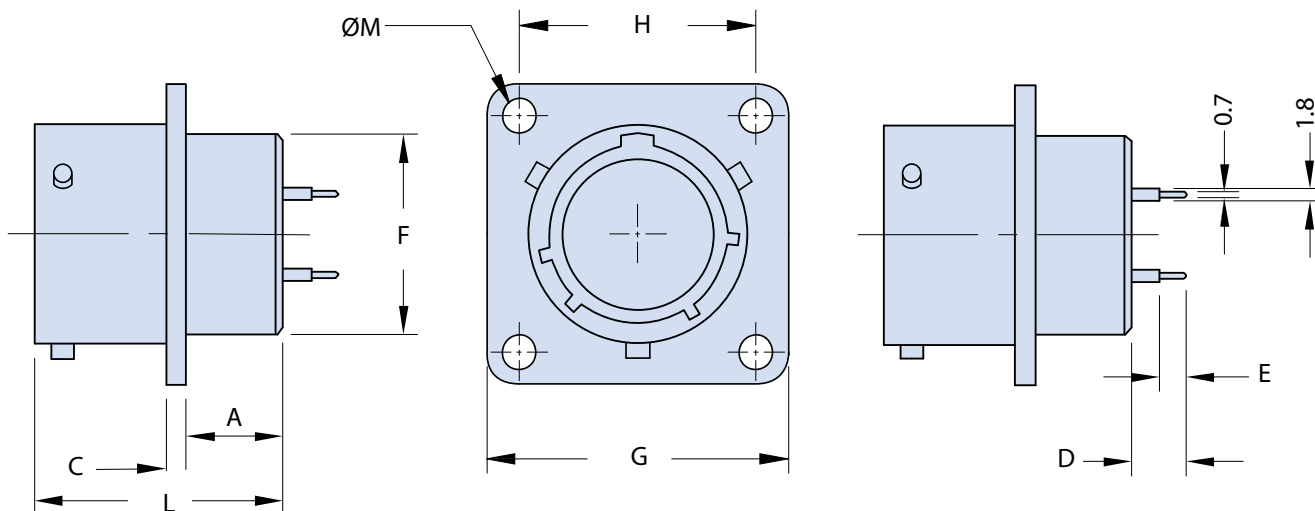
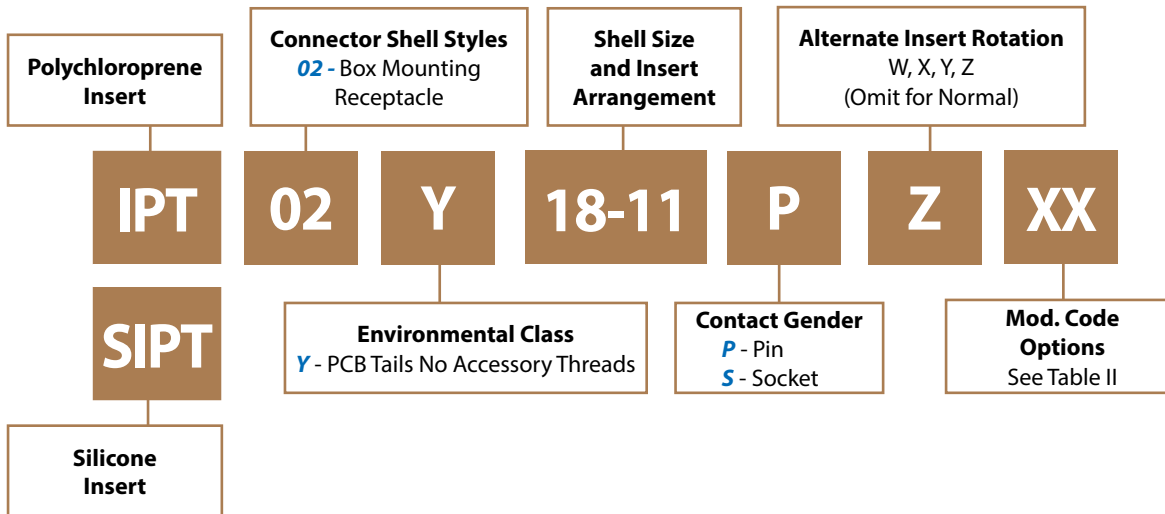


# IPT 02 Y

## Box Mounting Receptacle with Printed Circuit Board Terminations



### Application Notes

1. Box mounting receptacle with PCB tails and no accessory threads. Printed circuit board terminations. Contact factory for custom tail lengths.
2. Through mounting holes.
3. Standard materials configuration consists of aluminum alloy with stainless steel coupling pins.
4. Standard contact material consists of copper alloy with gold plating over nickel.
5. Standard insert is high insulation synthetic rubber.

**IPT 02 Y**  
**Box Mounting Receptacle**  
**with Printed Circuit Board Terminations**



**TABLE I: DIMENSIONS**

Shell size	A +0 -0.2	C ±0.1	F Max.	G ±0.4	H ±0.1	ØM +0.1 0	L Max.
8	6.2	1.6	11.40	20.6	15.10	3.04	19.5
10	6.2	1.6	14.55	23.8	18.25	3.04	19.5
12	6.2	1.6	17.75	26.2	20.60	3.04	19.5
14	6.2	1.6	20.90	28.6	23.00	3.04	19.5
16	6.2	1.6	24.10	31.0	24.60	3.04	19.5
18	6.2	1.6	27.25	33.3	27.00	3.04	19.5
20	7.5	2.4	30.45	36.5	29.40	3.04	24.5
22	7.5	2.4	33.60	39.7	31.75	3.04	24.5
24	7.5	2.4	36.80	42.8	34.92	3.73	25.5

**TABLE I: DIMENSIONS (CONTINUED FROM ABOVE)**

Shell Size	Y		Y1		Y2		YS		YL		YM		YK	
	D ±0.4	E ±0.2	D ±0.4	E ±0.2	D ±0.4	E ±0.2	D ±0.4	E ±0.2	D ±0.4	E ±0.2	D ±0.4	E ±0.2	D ±0.4	E ±0.2
8	8.0	3.6	7.4	3.2	7.8	4.8	5.8	3.2	10.9	6.0	12.4	7.2	8.9	7.1
10	8.0	3.6	7.4	3.2	7.8	4.8	5.8	3.2	10.9	6.0	12.4	7.2	8.9	7.1
12	8.0	3.6	7.4	3.2	7.8	4.8	5.8	3.2	10.9	6.0	12.4	7.2	8.9	7.1
14	8.0	3.6	7.4	3.2	7.8	4.8	5.8	3.2	10.9	6.0	12.4	7.2	8.9	7.1
16	8.0	3.6	7.4	3.2	7.8	4.8	5.8	3.2	10.9	6.0	12.4	7.2	8.9	7.1
18	8.0	3.6	7.4	3.2	7.8	4.8	5.8	3.2	10.9	6.0	12.4	7.2	8.9	7.1
20	7.8	3.6	7.6	3.2	-	-	7.5	3.2	9.3	6.0	-	-	8.1	7.1
22	7.8	3.6	7.6	3.2	-	-	7.5	3.2	9.3	6.0	-	-	8.1	7.1
24	6.7	3.6	6.5	3.2	-	-	6.4	3.2	8.2	6.0	-	-	8.1	7.1

**TABLE II: MODIFICATION CODES**

FINISH OPTIONS	
Sym	Description and RoHS compliant
<b>F6</b>	Black Electrodeposited Paint
<b>F7</b>	Black Zinc Nickel
<b>F11</b>	Electroless Nickel
<b>MB</b>	Marine Bronze
<b>Omit for standard version (Cadmium Olive Drab Finish)</b>	