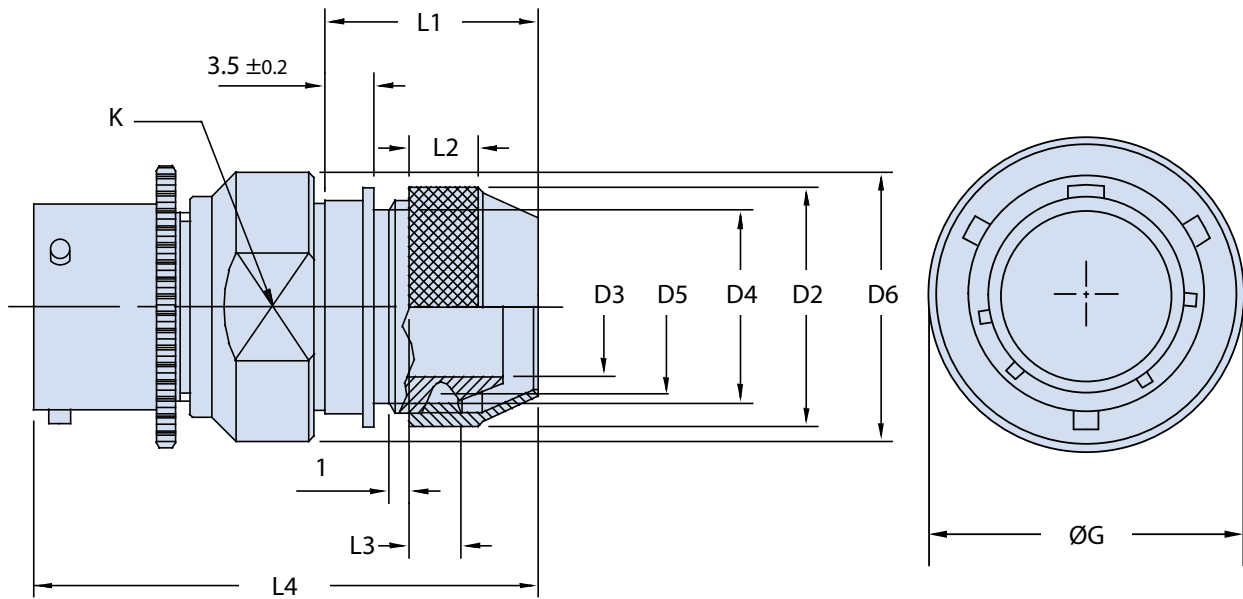
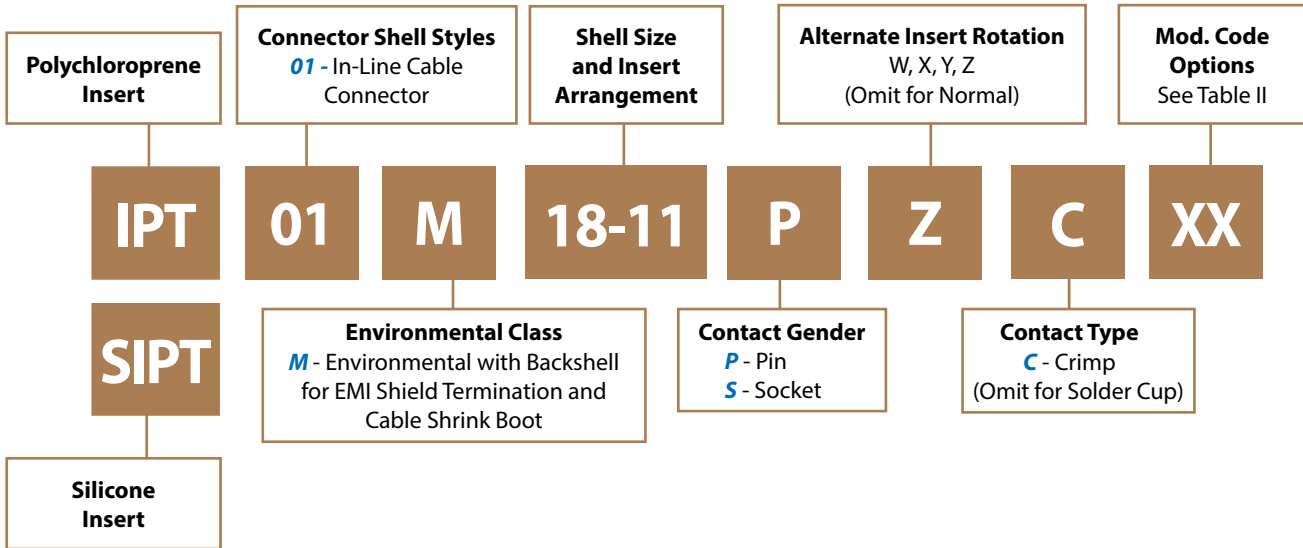




IPT 01 M

In-Line Cable Connector with Backshell for EMI Shield Termination and Shrink Boot



Application Notes

1. In-line cable connector with backshell for terminating EMI shielding and attaching heat shrink boots.
2. Connector/Backshell Class "M" (environmental)—Wire sealing grommet supplied.
3. Standard materials configuration consists of aluminum alloy with stainless steel coupling pins.
4. Standard contact material consists of copper alloy with gold plating over nickel.
5. A broad range of other front and rear connector accessories are available. See our website and/or contact factory for complete information.
6. Standard insert is high insulation synthetic rubber.

IPT 01 M
In-Line Cable Connector
with Backshell for
EMI Shield Termination and Shrink Boot



IPT Series
Bayonet Lock
Connectors

TABLE I: DIMENSIONS

Shell size	K Key	ØG ±0.2	D2 +0.5 -0	D3 min.	D4	D5	D6 Max.	L1 +0 -2.5	L2 +1.5 -0	L3 min.	L4 Max.
8	18	17.3	16	6.6	13.5	M14x1	20	17	5	4	55
10	21	21.8	18	9.2	16.0	M16x1	23	17	5	4	55
12	24	25.1	22	12.2	20.0	M20x1	27	17	7	5	55
14	28	28.6	25	15.2	22.0	M23x1	30	18	8	6	56
16	31	30.6	28	18.3	26.0	M26x1	33	18	8	6	56
18	34	33.2	32	20.0	28.2	M30x1	36	18	10	6	56
20	37	36.5	34	23.0	30.5	M32x1	40	18	10	6	62
22	41	39.6	38	26.0	34.5	M36x1	43	18	10	6	62
24	44	43.1	41	28.8	37.2	M39x1	46	18	10	6	64

TABLE II: MODIFICATION CODES

CONTACT OPTIONS	
Sym	Description
B0	Connector Without Contacts (Only for crimp version)
FINISH OPTIONS	
Sym	Description and RoHS compliant
F7	Black Zinc Nickel
F11	Electroless Nickel
MB	Marine Bronze
Omit for standard version (Cadmium Olive Drab Finish)	