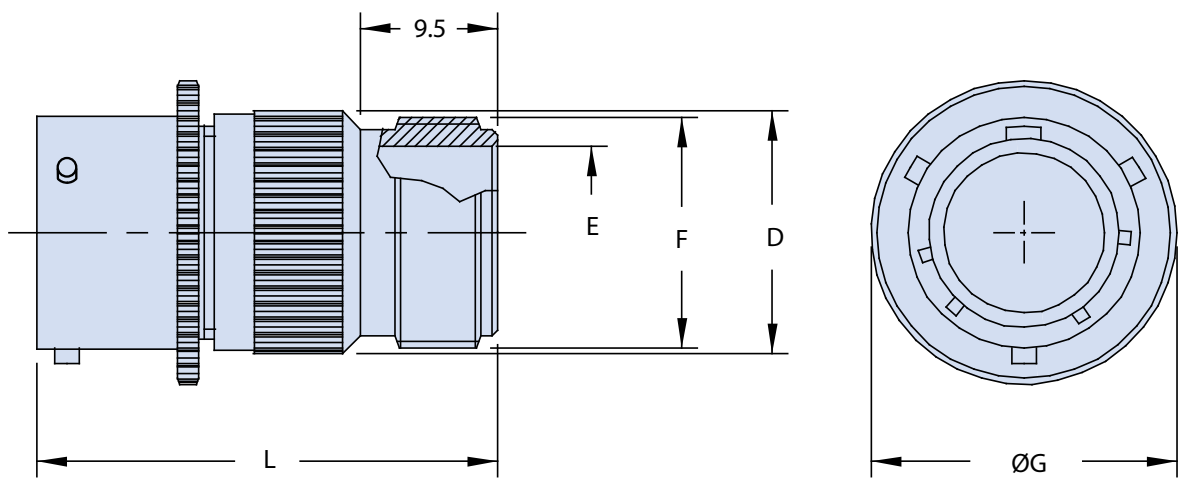
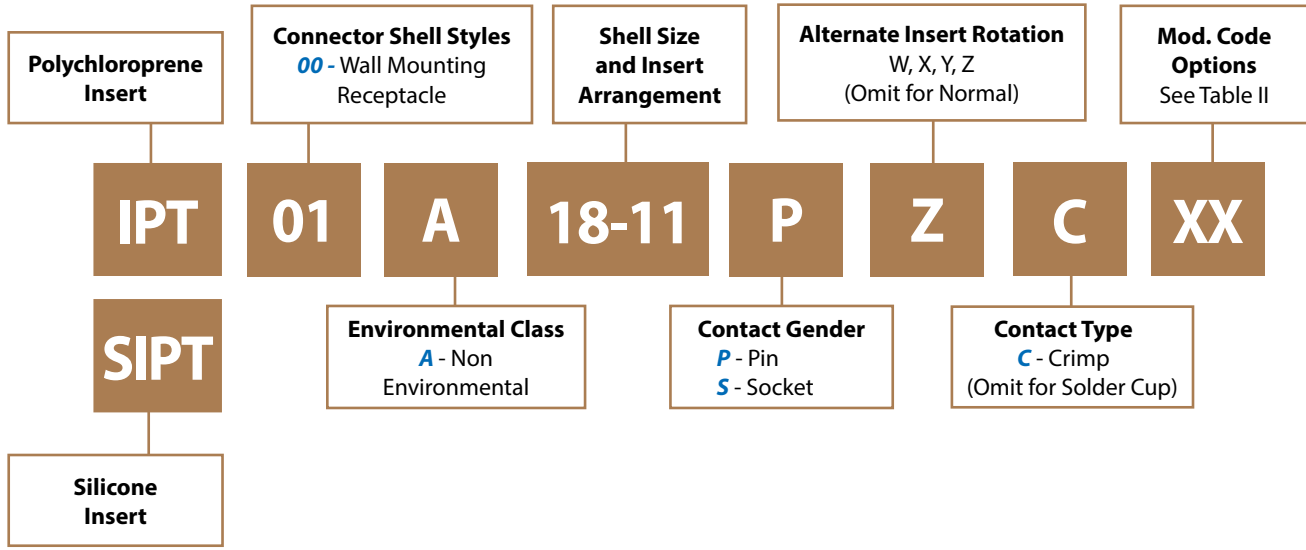


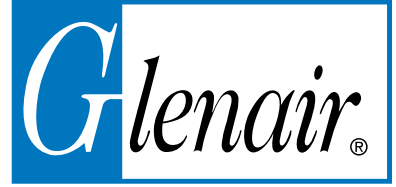
# IPT 01 A In-Line Cable Connector with General Duty Backshell



### Application Notes

1. In-line cable connector with general duty backshell.
2. Connector Class "A" (non-environmental—no grommet supplied).
3. Standard materials configuration consists of aluminum alloy with stainless steel coupling pins.
4. Standard contact material consists of copper alloy with gold plating over nickel.
5. A broad range of other front and rear connector accessories are available. See our website and/or contact factory for complete information.
6. Standard insert is high insulation synthetic rubber.

**IPT 01 A**  
**In-Line Cable Connector**  
**with General Duty Backshell**



**TABLE I: DIMENSIONS**

Shell size	D Max.	E min.	F Thread in inches	ØG ±0.2	L Max.
8	15.00	7.55	.5000 - 28 UNEF	17.3	45.9
10	18.20	10.70	.6250 - 24 UNEF	21.8	45.9
12	21.20	13.85	.7500 - 20 UNEF	25.1	45.9
14	24.60	16.85	.8750 - 20 UNEF	28.6	45.9
16	27.60	20.00	1.0000 - 20 UNEF	30.6	45.9
18	30.90	22.30	1.1875 - 18 UNEF	33.2	45.9
20	33.80	25.75	1.1875 - 18 UNEF	36.5	50.0
22	37.10	28.80	1.4375 - 18 UNEF	39.6	50.0
24	40.25	32.00	1.4375 - 18 UNEF	43.1	50.0

**TABLE II: MODIFICATION CODES**

CONTACT OPTIONS	
Sym	Description
<b>B0</b>	Connector Without Contacts (Only for crimp version)
FINISH OPTIONS	
Sym	Description and RoHS compliant
<b>F6</b>	Black Electrodeposited Paint
<b>F7</b>	Black Zinc Nickel
<b>F11</b>	Electroless Nickel
<b>MB</b>	Marine Bronze
<b>Omit for standard version (Cadmium Olive Drab Finish)</b>	

