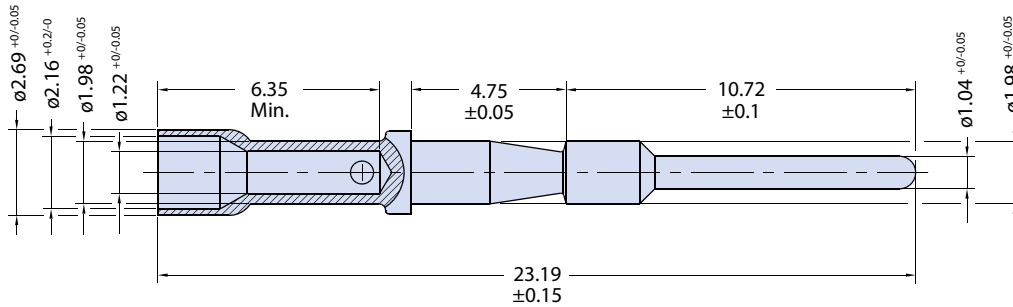
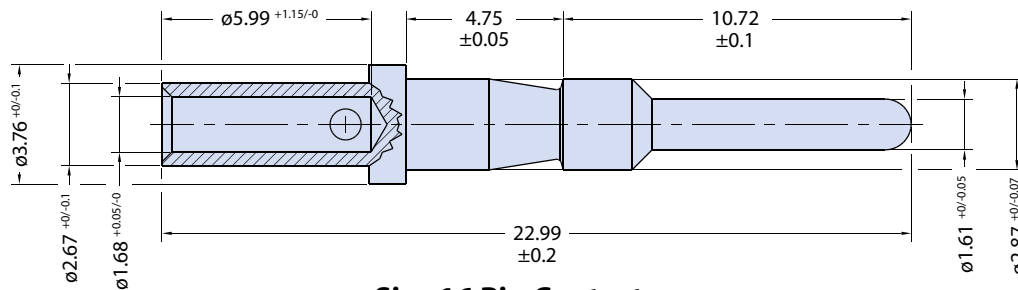


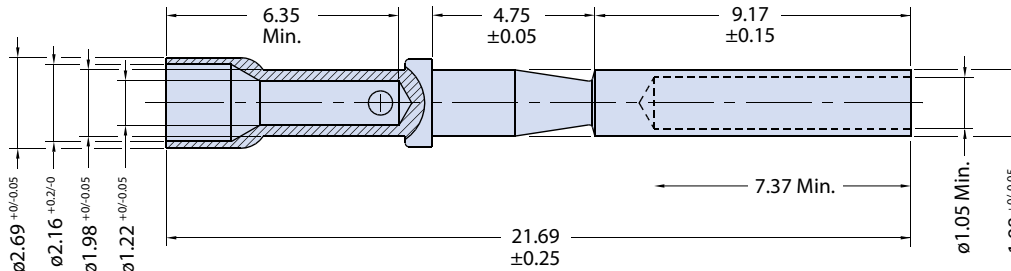
Crimp Contact Dimensions Pin and Socket



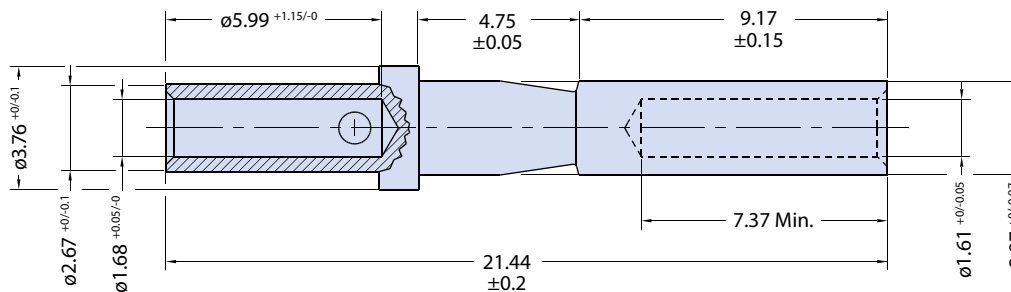
Size 20 Pin Contact
10-314980-20P



Size 16 Pin Contact
10-314980-16P



Size 20 Socket Contact
10-314980-20S



Size 16 Socket Contact
10-314980-16S

For crimp tools see page D-13

