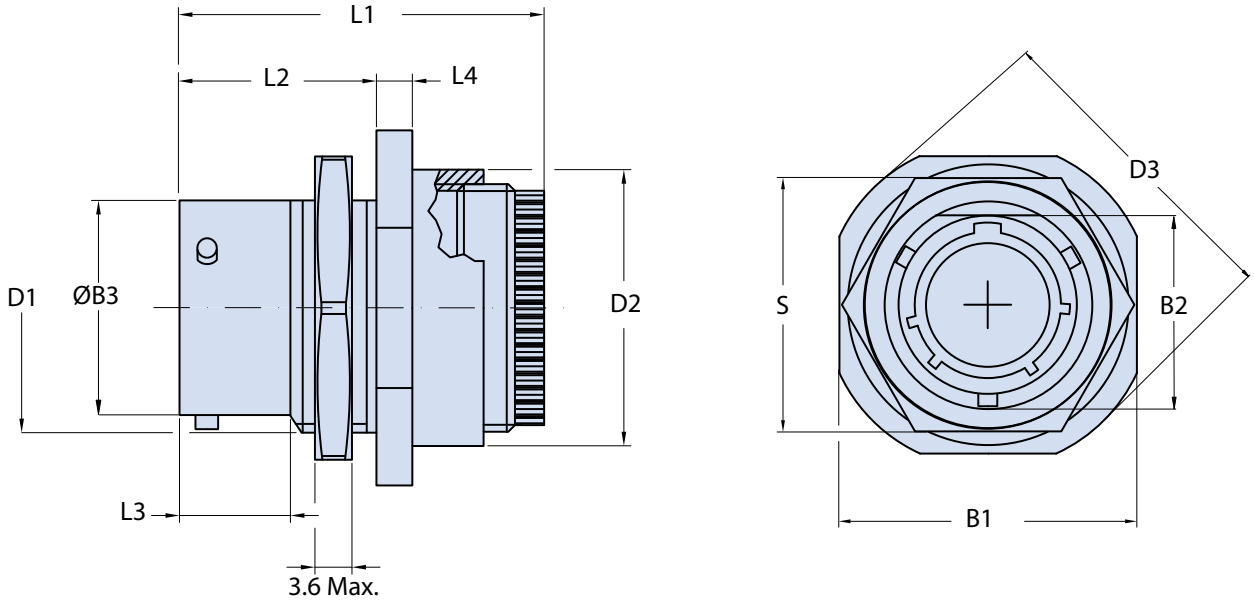
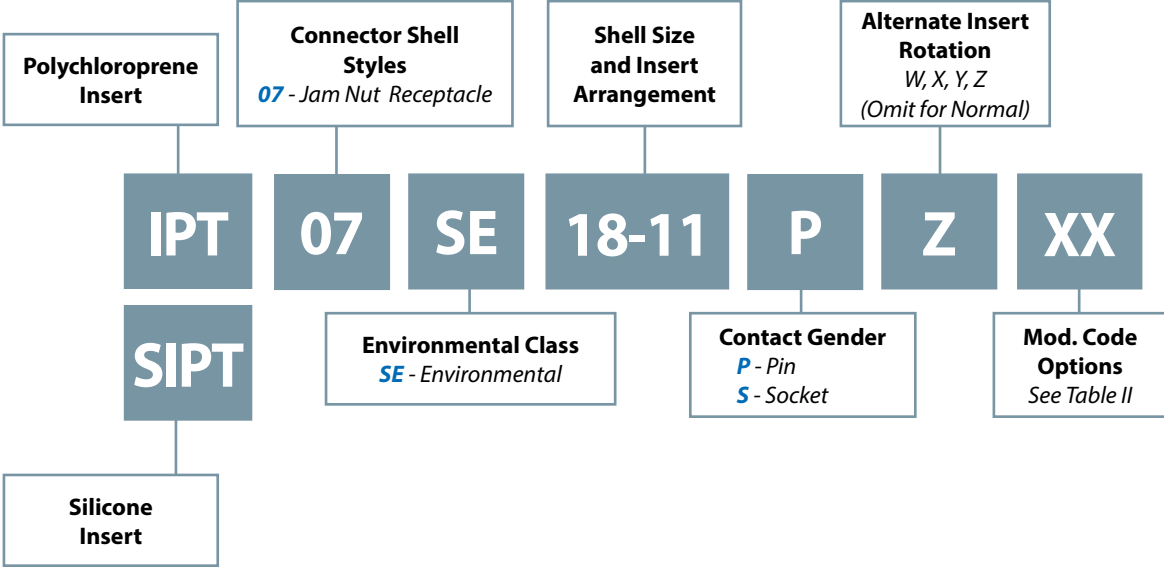




IPT 07 SE Jam Nut Receptacle with General Duty Backshell



Application Notes

- 1 Jam nut receptacle includes sealing grommet and backshell for use with individual wires.
- 2 Connector Class "SE" (environmental). Wire sealing grommet supplied.
- 3 Standard materials configuration consists of aluminum alloy with stainless steel coupling pins.
- 4 Standard contact material consists of copper alloy with gold plating over nickel.
5. A broad range of other front and rear connector accessories are available. See our website and/or contact factory for complete information.
6. Standard insert is high insulation synthetic rubber.

IPT 07 SE
Jam Nut Receptacle
with General Duty Backshell

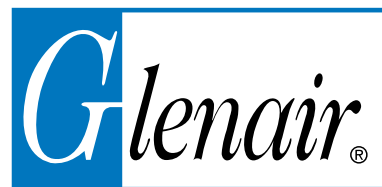


TABLE I: DIMENSIONS

Shell size	B1 Max.	B2 +0 -0.25	ØB3 +0 -0.1	D1	D2 Min.	D3 +0 -0.8	L1 Max.	L2 +0.8 -0	L3 Min.	L4 ± 0.5	S ± 0.43
8	24.3	13.46	12.00	0.5625 - 24 UNEF	19.0	27.3	39.3	17.5	9.75	3.0	19.05
10	27.4	16.64	14.98	0.6875 - 24 UNEF	22.2	30.5	39.3	17.5	9.75	3.0	22.23
12	32.2	20.78	19.05	0.8750 - 20 UNEF	25.4	35.3	39.3	17.5	9.75	3.0	26.97
14	35.4	23.93	22.22	1.0000 - 20 UNEF	28.5	38.5	39.3	17.5	9.75	3.0	30.18
16	38.6	27.08	25.40	1.1250 - 18 UNEF	31.7	41.6	39.3	17.5	9.75	3.0	33.32
18	41.7	30.25	28.57	1.2500 - 18 UNEF	34.9	44.8	39.3	17.5	9.75	3.0	36.53
20	46.5	33.43	31.75	1.3750 - 18 UNEF	38.8	49.6	43.4	22.3	11.32	3.8	39.67
22	49.7	36.60	34.85	1.5000 - 18 UNEF	42.0	52.7	43.4	22.3	11.32	3.8	42.88
24	52.8	39.78	38.10	1.6250 - 18 UNEF	45.2	55.9	43.4	23.1	12.16	3.8	46.02

B

TABLE II: MODIFICATION CODES

CONTACT OPTIONS	
Sym	Description
B0	Connector Without Contacts (Only for crimp version)
FINISH OPTIONS	
Sym	Description and RoHS compliant
F6	Black Electrodeposited Paint
F7	Black Zinc Nickel
F11	Electroless Nickel
MB	Marine Bronze
Omit for standard version (Cadmium Olive Drab Finish)	