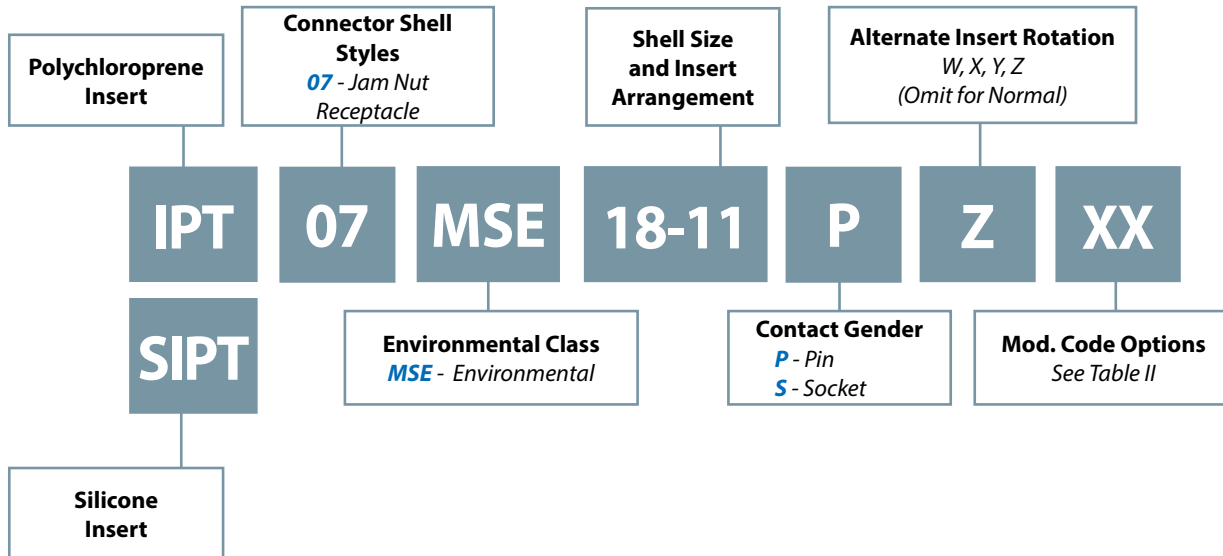
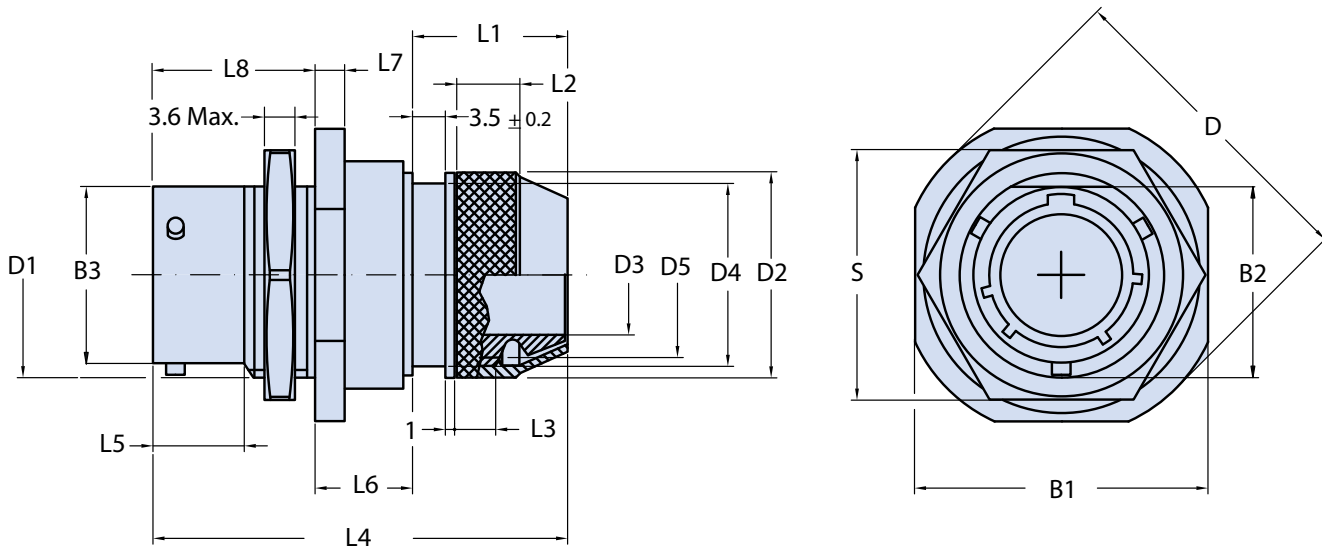




IPT 07 MSE Jam Nut Receptacle with Backshell for EMI Shield Termination and Shrink Boot



B



Application Notes

1. Jam nut receptacle with EMI shield termination / shrink boot backshell
2. Connector Class "MSE" (environmental).
3. Standard materials configuration consists of aluminum alloy with stainless steel coupling pins.
4. Standard contact material consists of copper alloy with gold plating over nickel.
5. Standard insert is high insulation synthetic rubber.

IPT 07 MSE
Jam Nut Receptacle
with Backshell
for EMI Shield Termination and Shrink Boot

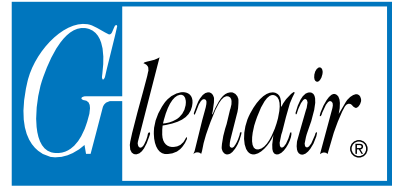


TABLE I: DIMENSIONS

Shell Size	B1 Max.	B2 +0 -0.25	ØB3 +0 -0.1	D1	D +0 -0.8	L4 Max.	L5 Min.	L6 ±0.2	L7 ±0.5	L8 +0.8 -0	S ±0.43
8	24.3	13.46	12.00	.5625 - 24 UNEF	27.3	52	9.75	10.8	3.0	17.5	19.05
10	27.4	16.64	14.98	.6875 - 24 UNEF	30.5	52	9.75	11.0	3.0	17.5	22.23
12	32.2	20.78	19.05	.8750 - 20 UNEF	35.3	52	9.75	10.8	3.0	17.5	26.97
14	35.4	23.93	22.22	1.0000 - 20 UNEF	38.5	53	9.75	10.8	3.0	17.5	30.18
16	38.6	27.08	25.40	1.1250 - 18 UNEF	41.6	53	9.75	10.8	3.0	17.5	33.32
18	41.7	30.25	28.57	1.2500 - 18 UNEF	44.8	53	9.75	10.8	3.0	17.5	36.53
20	46.5	33.43	31.75	1.3750 - 18 UNEF	49.6	57	11.32	12.6	3.8	22.3	39.67
22	49.7	36.60	34.85	1.5000 - 18 UNEF	52.7	59	11.32	12.6	3.8	22.3	42.88
24	52.8	39.78	38.10	1.6250 - 18 UNEF	55.9	60	12.16	12.8	3.8	23.1	46.02

For backshell dimensions D2, D3, D4, D5, L1, L2 and L3 please refer to IPT 06 MSE TABLE I: DIMENSIONS at Page B-53

B

TABLE II: MODIFICATION CODES

CONTACT OPTIONS	
Sym	Description
B0	Connector Without Contacts (Only for crimp version)
FINISH OPTIONS	
Sym	Description and RoHS compliant
F7	Black Zinc Nickel
F11	Electroless Nickel
MB	Marine Bronze
Omit for standard version (Cadmium Olive Drab Finish)	