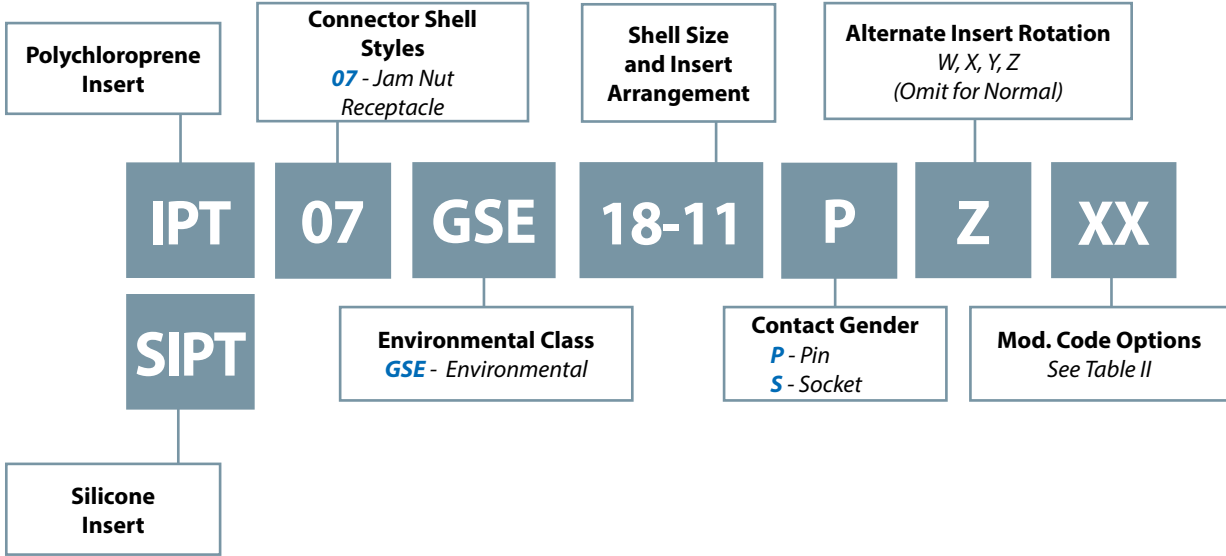
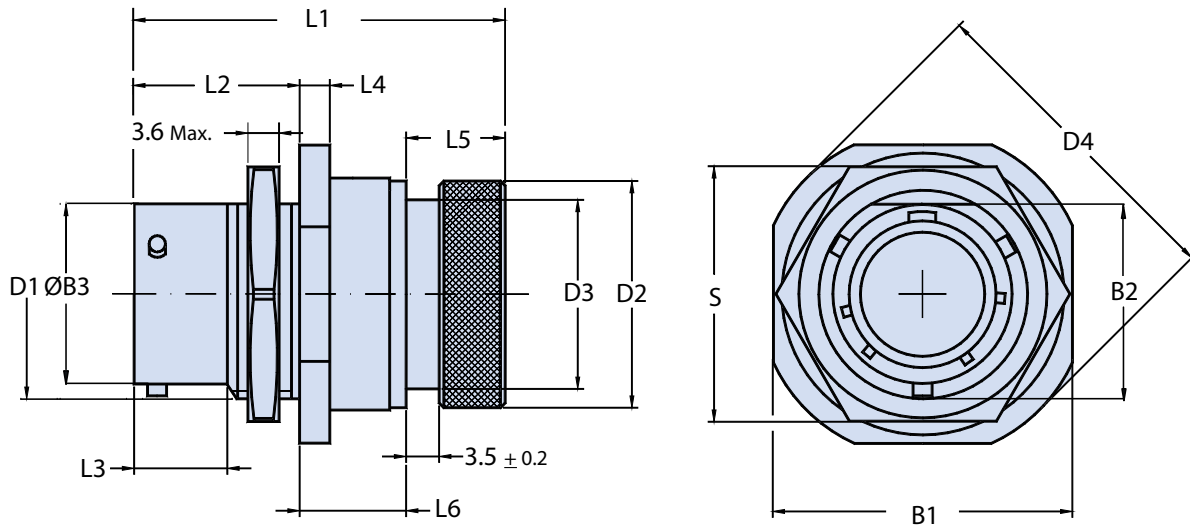




IPT 07 GSE Jam Nut Receptacle with Shrink Boot Backshell



B



Application Notes

1. Jam nut receptacle connector with shrink boot backshell.
2. Connector/Backshell Class "GSE" (environmental).
3. Standard materials configuration consists of aluminum alloy with stainless steel coupling pins.
4. Standard contact material consists of copper alloy with gold plating over nickel.
5. A broad range of other front and rear connector accessories are available. See our website and/or contact factory for complete information.
6. Standard insert is high insulation synthetic rubber.

IPT 07 GSE
Jam Nut Receptacle
with Shrink Boot Backshell

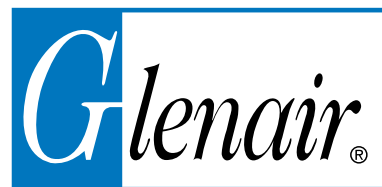


TABLE I: DIMENSIONS

Shell size	B1 Max.	B2 +0 -0.25	ØB3 +0 -0.1	D1	D2 +0 -0.2	D3 +0 -0.2	D4 +0 -0.8	L1 Max.	L2 +0.8 -0	L3 Min.	L4 ±0.5	L5 ±0.1	L6 ±0.2	S ±0.43
8	24.3	13.46	12.00	0.5625-24UNEF	15.6	13.3	27.3	47.0	17.5	9.75	3.0	12.2	10.8	19.05
10	27.4	16.46	14.98	0.6875-24UNEF	18.2	16.0	30.5	47.0	17.5	9.75	3.0	12.2	11.0	22.23
12	32.2	20.78	19.05	0.8750-20UNEF	23.7	21.4	35.3	47.0	17.5	9.75	3.0	12.2	10.8	26.97
14	35.4	23.93	22.22	1.0000-20UNEF	24.5	22.2	38.5	49.0	17.5	9.75	3.0	12.2	10.8	30.18
16	38.6	27.08	25.40	1.1250-18UNEF	29.8	26.2	41.6	49.0	17.5	9.75	3.0	14.5	10.8	33.32
18	41.7	30.25	28.57	1.2500-18UNEF	32.0	28.5	44.8	49.0	17.5	9.75	3.0	14.5	10.8	36.53
20	46.5	33.43	31.75	1.3750-18UNEF	36.1	32.5	49.6	57.0	22.3	11.32	3.8	15.8	12.6	39.67
22	49.7	36.60	34.85	1.5000-18UNEF	38.5	34.8	52.7	57.0	22.3	11.32	3.8	15.8	12.6	42.88
24	52.8	39.78	38.10	1.6250-18UNEF	41.6	37.9	55.9	57.0	23.1	12.16	3.8	14.9	12.8	46.02

B

TABLE II: MODIFICATION CODES

CONTACT OPTIONS	
Sym	Description
B0	Connector Without Contacts (Only for crimp version)
FINISH OPTIONS	
Sym	Description and RoHS compliant
F6	Black Electrodeposited Paint
F7	Black Zinc Nickel
F11	Electroless Nickel
MB	Marine Bronze
Omit for standard version (Cadmium Olive Drab Finish)	