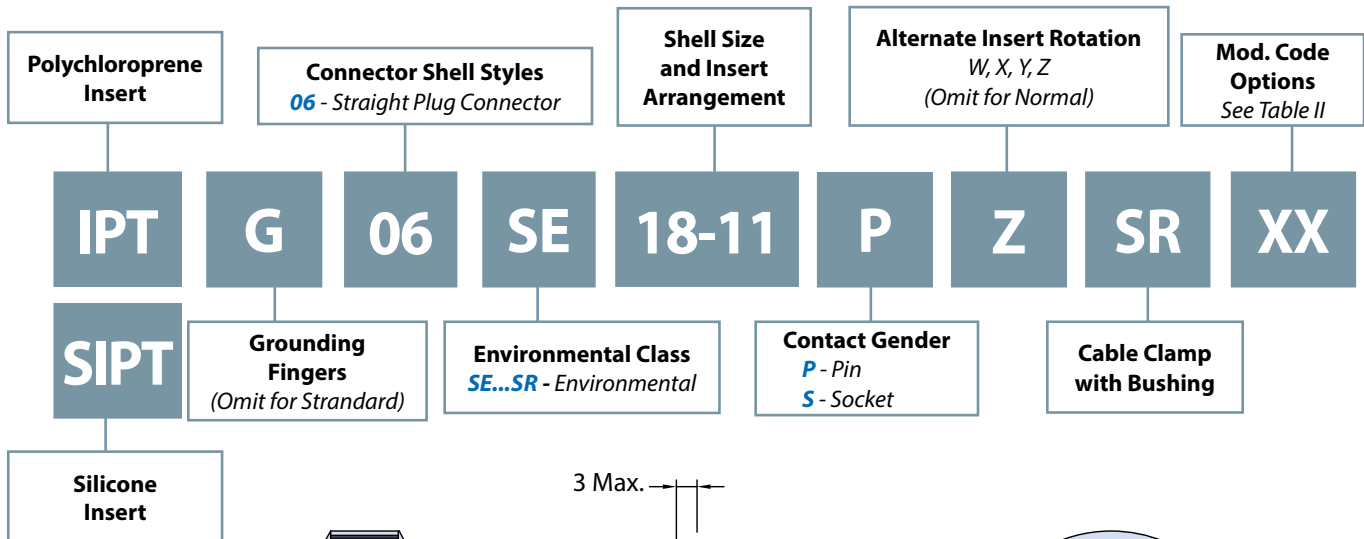
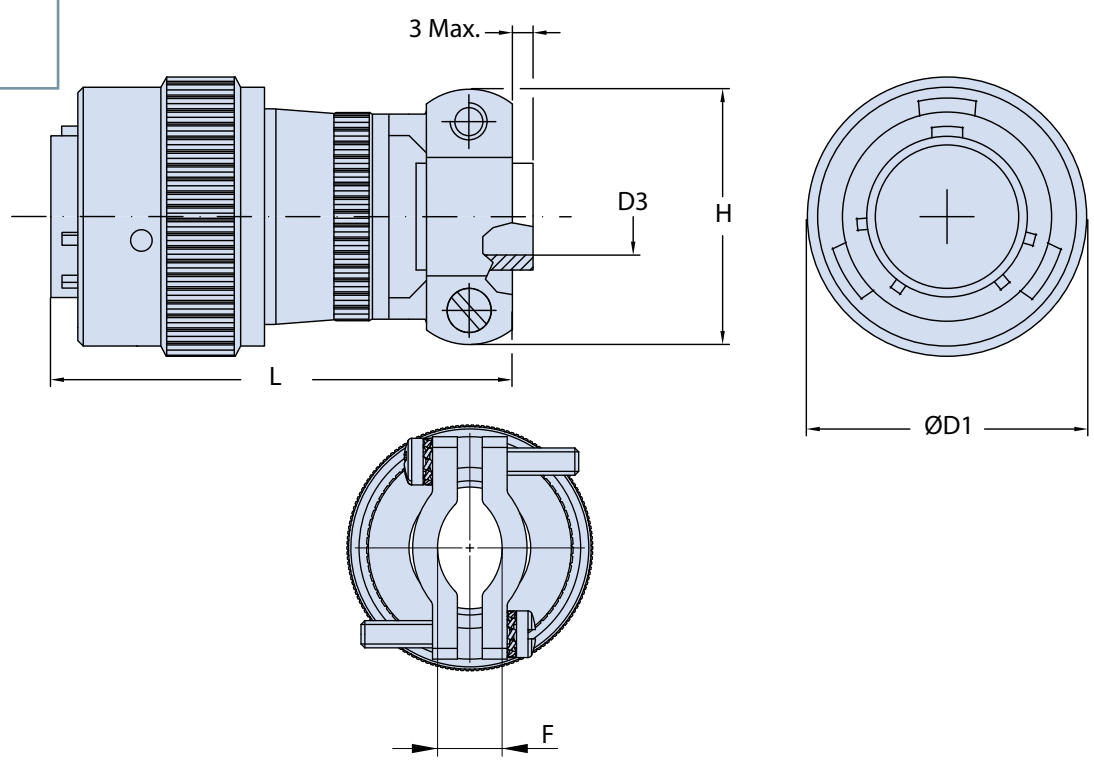


IPT 06 SE...SR Straight Plug Connector with Backshell, Cable Clamp and Bushing



B



Application Notes

1. Straight plug with cable clamp and bushing for cable protection.
2. Connector Class "SE...SR"(environmental).
3. Standard materials configuration consists of aluminum alloy.
4. Standard contact material consists of copper alloy with gold plating over nickel.
5. A broad range of other front and rear connector accessories are available. See our website and/or contact factory for complete information.
6. Standard insert is high insulation synthetic rubber.

IPT 06 SE...SR
Straight Plug Connector
with Backshell, Cable Clamp and Bushing



TABLE I: DIMENSIONS

Shell size	ØD1 ±0.2	D3 + 0.3 - 0.7	H ± 0.2	L Max.	F (*) ±0.75
8	18.10	3.2	19.10	49.5	4
10	21.05	4.8	20.70	49.5	4
12	25.15	7.9	23.90	49.5	6,4
14	28.40	9.5	27.00	49.5	7,5
16	31.60	12.7	28.60	53.0	8,3
18	35.00	15.9	35.00	53.0	11,3
20	37.70	15.9	35.00	59.0	12,7
22	40.20	19.1	39.75	59.0	16,3
24	44.00	20.3	42.10	61.0	16,3

(*) Cable clamp cleats fully closed.



TABLE II: MODIFICATION CODES

CONTACT OPTIONS	
Sym	Description
B0	Connector Without Contacts (Only for crimp version)
FINISH OPTIONS	
Sym	Description and RoHS compliant
F6	Black Electrodeposited Paint
F7	Black Zinc Nickel
F11	Electroless Nickel
MB	Marine Bronze
Omit for standard version (Cadmium Olive Drab Finish)	