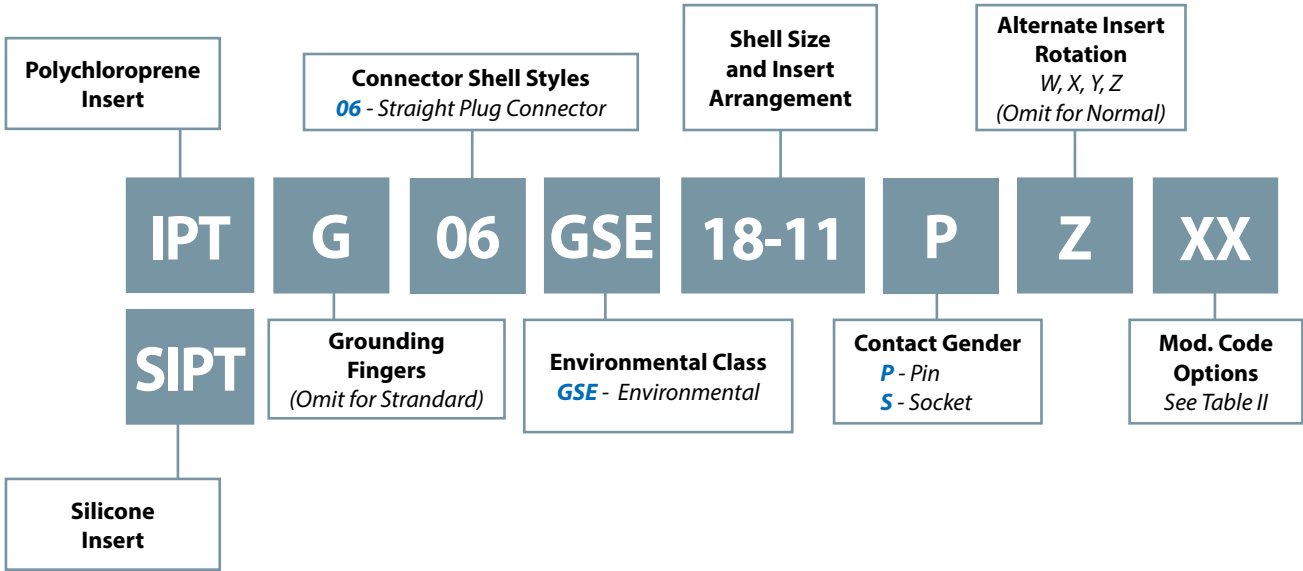
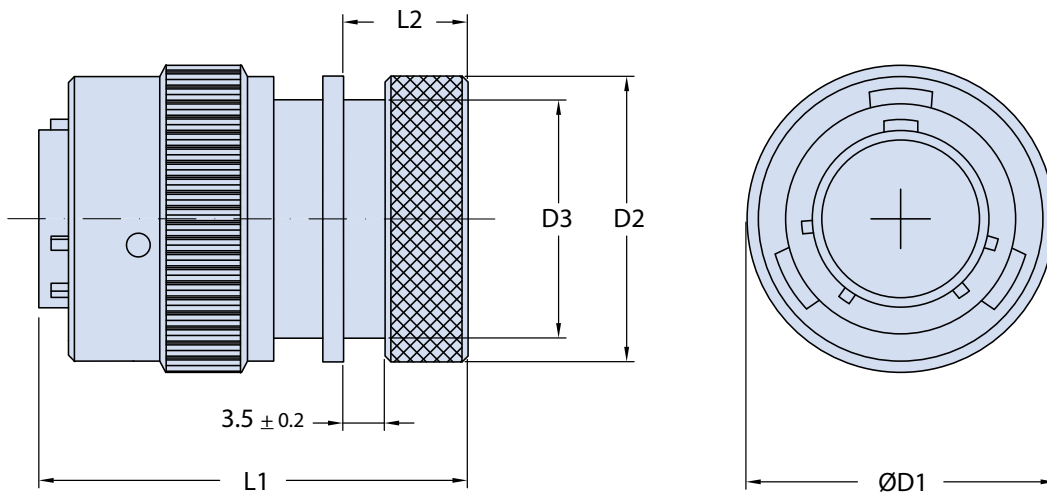




# IPT 06 GSE Straight Plug Connector with Shrink Boot Backshell



**B**



### Application Notes

1. Straight plug connector with shrink boot backshell.
2. Connector Class "GSE" (environmental).
3. Standard materials configuration consists of aluminum alloy.
4. Standard contact material consists of copper alloy with gold plating over nickel.
5. A broad range of other front and rear connector accessories are available. See our website and/or contact factory for complete information.
6. Standard insert is high insulation synthetic rubber.

**IPT 06 GSE**  
**Straight Plug Connector**  
with Shrink Boot Backshell



**TABLE I: DIMENSIONS**

Shell size	ØD1 ±0.2	D2 + 0 - 0.5	D3 + 0 - 0.5	L1 Max.	L2 ± 0.5
8	18.10	15.6	13.3	43.5	12.2
10	21.05	18.4	16.1	42.0	12.2
12	25.15	23.7	21.4	42.0	12.2
14	28.40	24.5	22.2	42.0	12.2
16	31.60	29.8	26.2	44.0	14.5
18	35.00	32.0	28.5	44.5	14.5
20	37.70	36.1	32.5	47.0	15.8
22	40.20	38.5	34.8	47.0	15.8
24	44.00	41.6	37.9	47.0	14.9



**TABLE II: MODIFICATION CODES**

CONTACT OPTIONS	
Sym	Description
<b>B0</b>	Connector Without Contacts (Only for crimp version)
FINISH OPTIONS	
Sym	Description and RoHS compliant
<b>F6</b>	Black Electrodeposited Paint
<b>F7</b>	Black Zinc Nickel
<b>F11</b>	Electroless Nickel
<b>MB</b>	Marine Bronze
<b>Omit for standard version (Cadmium Olive Drab Finish)</b>	