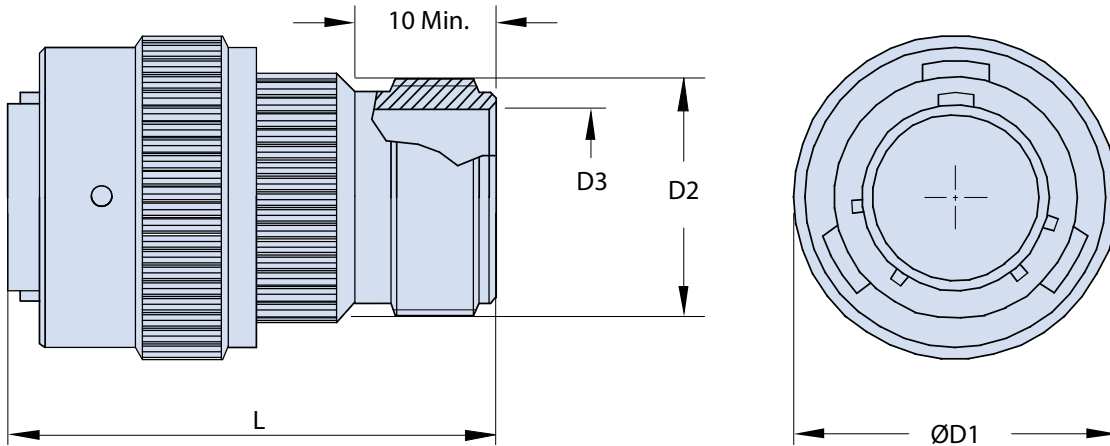
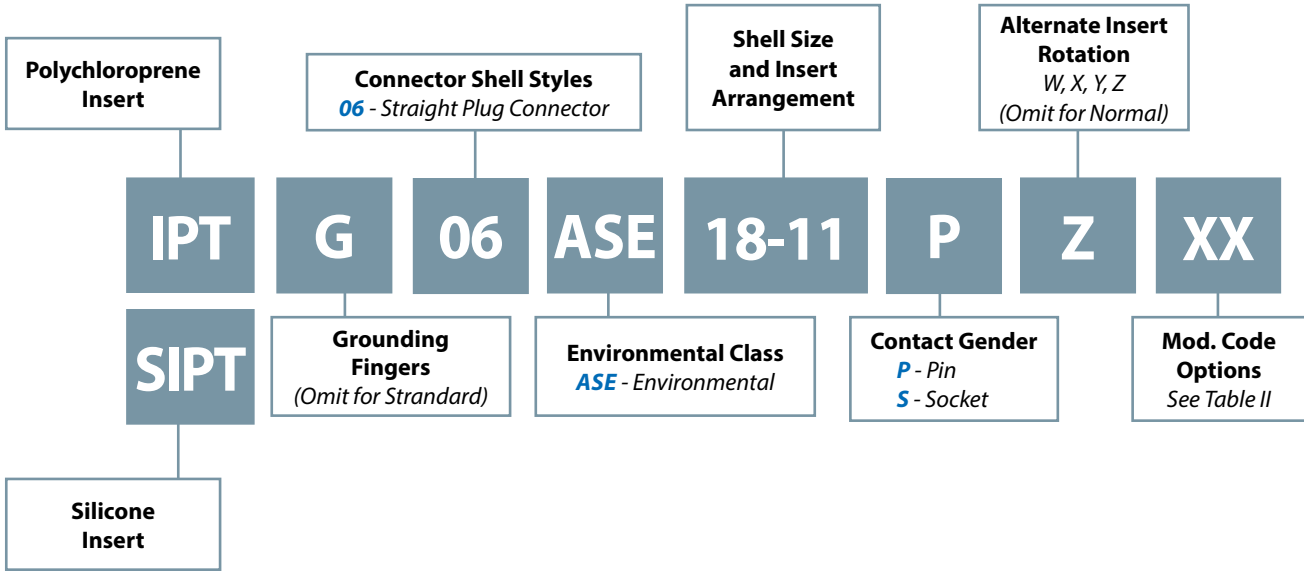




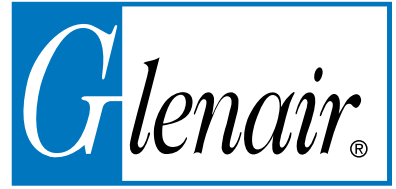
**IPT 06 ASE**  
**Straight Plug Connector**  
 with Backshell to Accommodate  
 MS3057 Cable Clamp (Not Included)



**Application Notes**

- 1 Straight plug connector with accessory threads.
- 2 Connector Class "ASE" (environmental).
- 3 Standard materials configuration consists of aluminum alloy.
- 4 Standard contact material consists of copper alloy with gold plating over nickel.
- 5 Standard insert is high insulation synthetic rubber.

**IPT 06 ASE**  
**Straight Plug Connector**  
 with Backshell to Accommodate  
 MS3057 Cable Clamp (Not Included)



**TABLE I: DIMENSIONS**

Shell size	ØD1 ±0.2	D2	D3 Min.	L Max.
8	18.10	0.5000 - 28UNEF	6.6	45.9
10	21.05	0.6250 - 24UNEF	9.2	45.9
12	25.15	0.7500 - 20UNEF	12.2	45.9
14	28.40	0.8750 - 20UNEF	15.2	45.9
16	31.60	1.0000 - 20UNEF	18.3	45.9
18	35.00	1.1875 - 18UNEF	20.0	45.9
20	37.70	1.1875 - 18UNEF	23.0	50.0
22	40.20	1.4375 - 18UNEF	26.0	50.0
24	44.00	1.4375 - 18UNEF	28.8	50.0

**B**

**TABLE II: MODIFICATION CODES**

CONTACT OPTIONS	
Sym	Description
<b>B0</b>	Connector Without Contacts (Only for crimp version)
FINISH OPTIONS	
Sym	Description and RoHS compliant
<b>F6</b>	Black Electrodeposited Paint
<b>F7</b>	Black Zinc Nickel
<b>F11</b>	Electroless Nickel
<b>MB</b>	Marine Bronze
<b>Omit for standard version (Cadmium Olive Drab Finish)</b>	