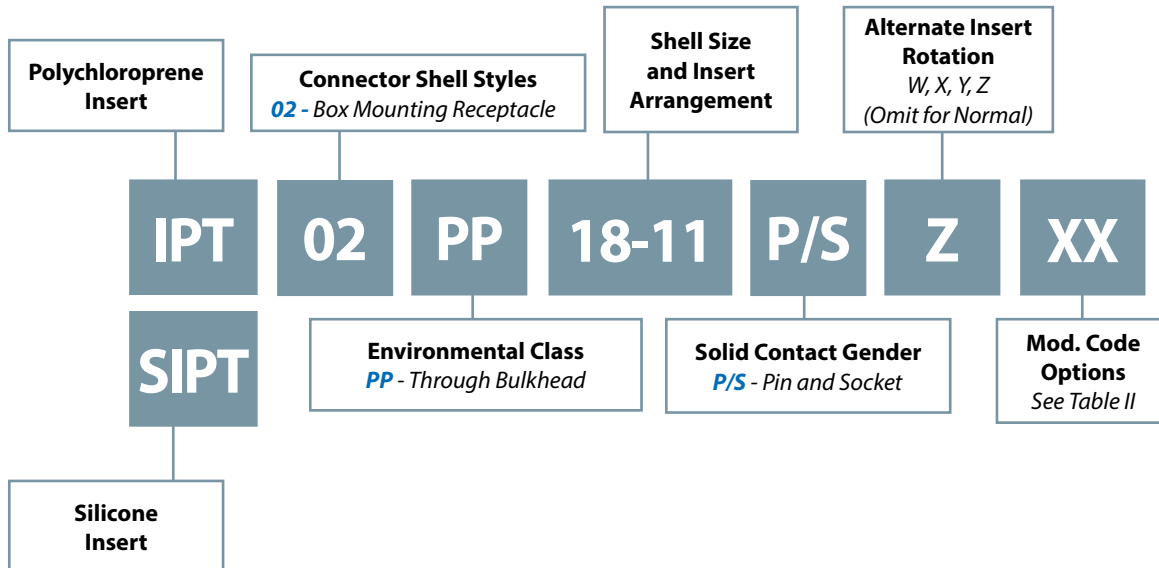
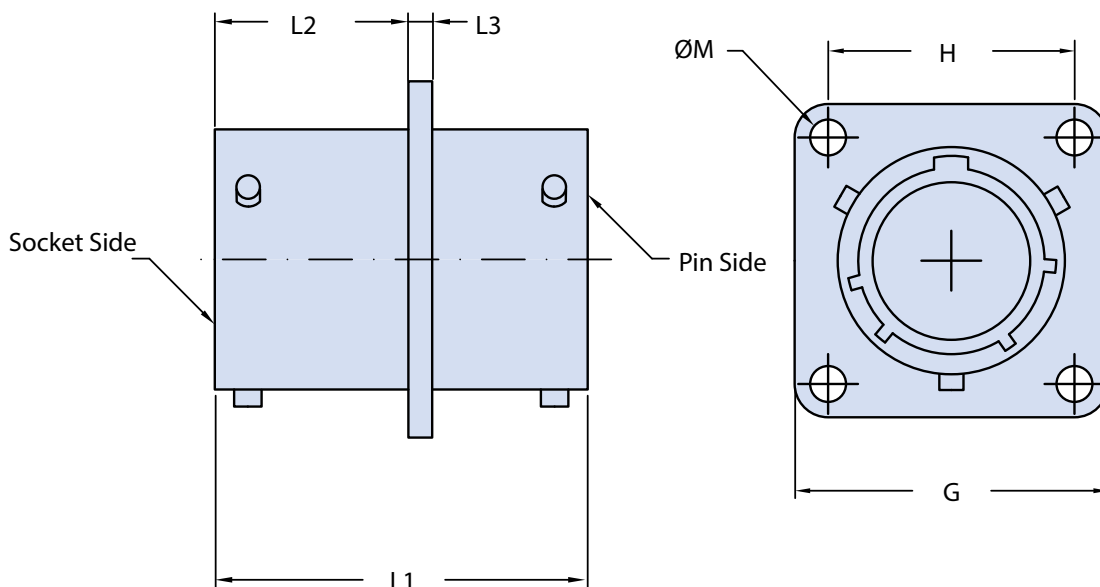




# IPT 02 PP Through Bulkhead Receptacle



B



### Application Notes

- 1 Through bulkhead receptacle with solid feedthrough contacts.
- 2 Through mounting holes.
- 3 Standard materials configuration consists of aluminum alloy with stainless steel coupling pins.
- 4 Standard contact material consists of copper alloy with gold plating over nickel.
- 5 Standard insert is high insulation synthetic rubber.

**IPT 02 PP**  
Through Bulkhead Receptacle



**TABLE I: DIMENSIONS**

Shell size	G ±0.4	H ±0.1	ØM +0.1 0	L1 +0.5 0	L2 +0.2 0	L3 ±0.2
8	20.6	15.10	3.04	26.5	14.5	1.6
10	23.8	18.25	3.04	26.5	14.5	1.6
12	26.2	20.60	3.04	26.5	14.5	1.6
14	28.6	23.00	3.04	26.5	14.5	1.6
16	31.0	24.60	3.04	26.5	14.5	1.6
18	33.3	27.00	3.04	26.5	14.5	1.6
20	36.5	29.40	3.04	33.5	17.8	2.5
22	39.7	31.75	3.04	33.5	17.8	2.5
24	42.8	34.92	3.73	33.5	17.8	2.5

**B**

**TABLE II: MODIFICATION CODES**

FINISH OPTIONS	
Sym	Description and RoHS compliant
<b>F6</b>	Black Electrodeposited Paint
<b>F7</b>	Black Zinc Nickel
<b>F11</b>	Electroless Nickel
<b>MB</b>	Marine Bronze
<b>Omit for standard version (Cadmium Olive Drab Finish)</b>	