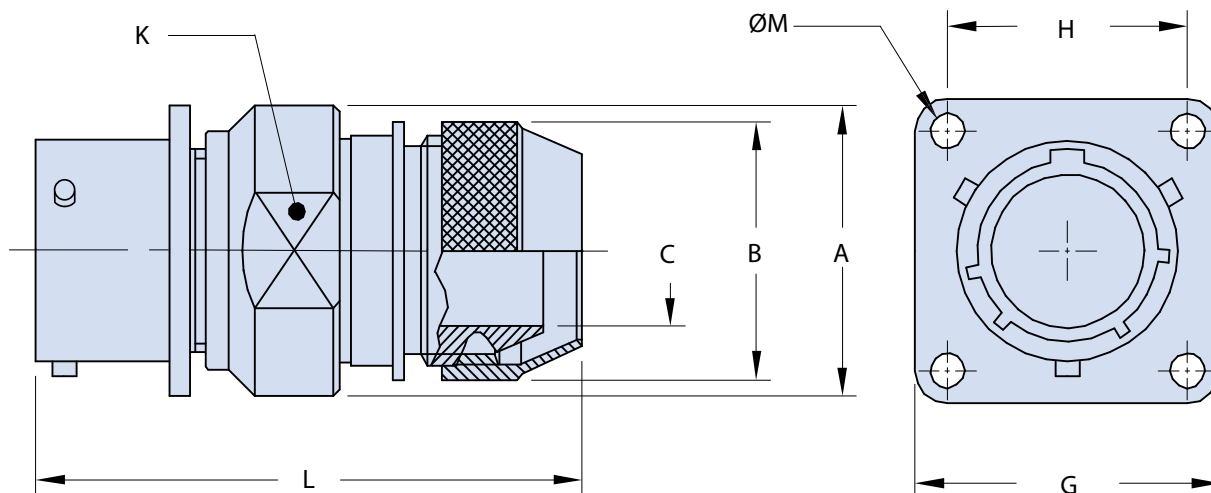
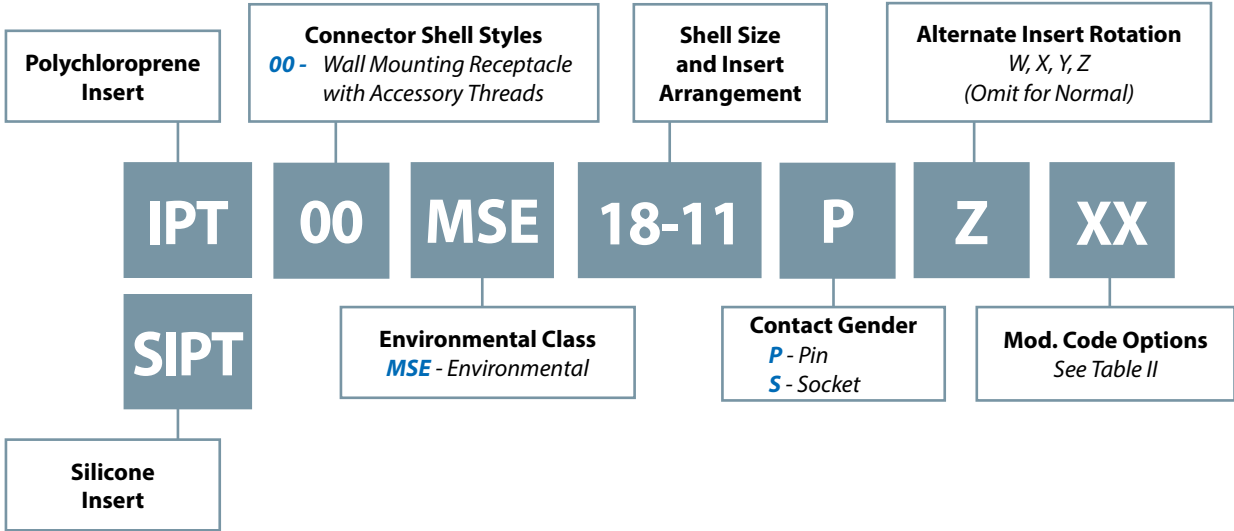




IPT 00 MSE

Front Panel Mount Square Flange Receptacle with Backshell

for EMI Shield Termination and Shrink Boot



Application Notes

1. Wall mounting receptacle with accessory threads, backshell for terminating shielded cable, suitable for heat shrink boots; through mounting holes.
2. Connector/Backshell Class "MSE" (environmental).
3. Standard materials configuration consists of aluminum alloy with stainless steel coupling pins.
4. Standard contact material consists of copper alloy with gold plating over nickel.
5. A broad range of other front and rear connector accessories are available. See our website and/or contact factory for complete information.
6. Standard insert is high insulation synthetic rubber.

IPT 00 MSE
Front Panel Mount Square Flange Receptacle
with Backshell
for EMI Shield Termination and Shrink Boot

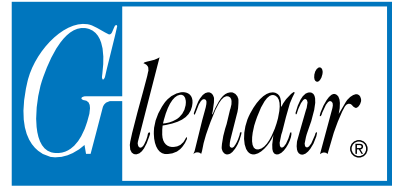


TABLE I: DIMENSIONS

Shell size	A Max.	B +0.5 -0	C min.	G ±0.4	H ±0.1	ØM +0.1 0	L Max.	K Key
8	20	16	6.6	20.6	15.10	3.04	55	18
10	23	18	9.2	23.8	18.25	3.04	55	21
12	27	22	12.2	26.2	20.60	3.04	55	24
14	30	25	15.2	28.6	23.00	3.04	56	28
16	33	28	18.3	31.0	24.60	3.04	56	31
18	36	32	20.0	33.3	27.00	3.04	56	34
20	40	34	23.0	36.5	29.40	3.04	62	37
22	43	38	26.0	39.7	31.75	3.04	62	41
24	46	41	28.8	42.8	34.92	3.73	64	44

B

TABLE II: MODIFICATION CODES

CONTACT OPTIONS	
Sym	Description
B0	Connector Without Contacts (Only for crimp version)
FINISH OPTIONS	
Sym	Description and RoHS compliant
F7	Black Zinc Nickel
F11	Electroless Nickel
MB	Marine Bronze
Omit for standard version (Cadmium Olive Drab Finish)	