

HOW TO ORDER:

EXAMPLE: 257 - 003 - 6 - 14S - 5 P W M 08

PRODUCT SERIES

BASIC NO

6 = PLUG ASSEMBLY

SHELL SIZE, TABLE I

INSERT ARRANGEMENT DASH NO

CONTACT STYLE:

P = PIN

S = SOCKET

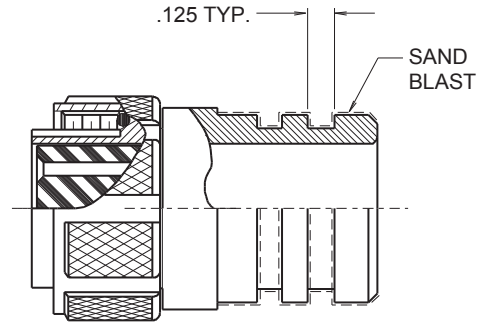
ALTERNATE INSERT POSITION, OMIT FOR NORMAL

M = MOLDING ADAPTER

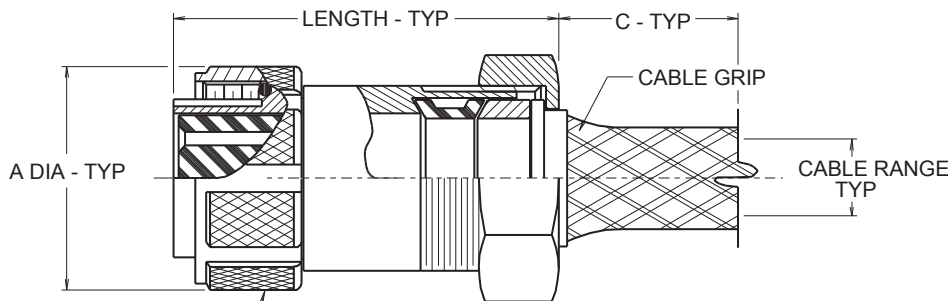
N = NO ADAPTER (CONNECTOR ONLY)

OMIT FOR STANDARD

OPTIONAL ENTRY, TABLE II, OMIT FOR STANDARD

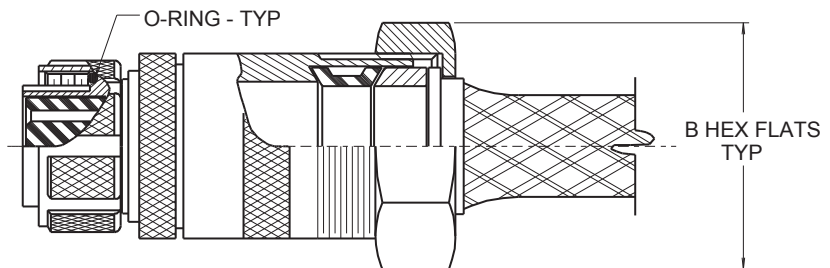


SYM M - MOLDING ADAPTER OPTION



KNURL STYLE MFR OPTION - TYP

STYLE I



STYLE II

TABLE II: CABLE RANGE

DASH NO	C REF	CABLE RANGE	
		MIN	MAX
03	5.12 (130.0)	.180 (4.6)	.210 (5.3)
04	5.75 (146.1)	.210 (5.3)	.312 (7.9)
06	7.00 (177.8)	.310 (7.9)	.438 (11.1)
08	7.12 (180.8)	.438 (11.1)	.500 (12.7)
10	7.37 (187.2)	.500 (12.7)	.625 (15.9)
12	9.00 (228.6)	.530 (13.5)	.750 (19.1)
14	8.00 (203.2)	.750 (19.1)	.875 (22.2)
16	9.00 (228.6)	.875 (22.2)	1.000 (25.4)

TABLE I: CONNECTOR DIMENSIONS

SHELL SIZE	A MAX	B FLATS	STD CABLE RANGE		CONFIGURATION STYLE	MAX DASH NO Δ	LENGTH MAX
			MIN	MAX			
10SL	1.031 (26.2)	1.00 (25.4)	.210 (5.3)	.312 (7.9)	I	04	3.00
12	1.125 (28.6)	1.38 (35.0)	.500 (12.7)	.625 (15.9)	II	08	3.00
14S	1.219 (31.0)	1.00 (25.4)	.210 (5.3)	.312 (7.9)	I	10	3.00
18	1.406 (35.7)	1.22 (31.0)	.310 (7.9)	.438 (11.1)	I	12	3.00
20	1.531 (38.9)	1.50 (38.1)	.530 (13.5)	.750 (19.1)	I	14	3.5
24	1.781 (45.2)	1.50 (38.1)	.530 (13.5)	.750 (19.1)	I	16	3.5
28	2.031 (51.6)	1.50 (38.1)	.530 (13.5)	.750 (19.1)	I	16	3.5

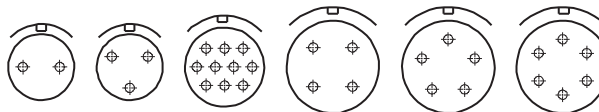
257-003-6
Stainless Steel Plug Assembly
MIL-DTL-5015 Type



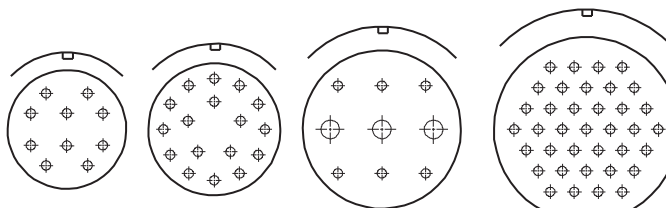
MIL-DTL-5015

INSERT ARRANGEMENTS

FACE VIEW OF PIN INSERT SHOWN



INSERT ARRANGEMENT:	10SL-4	10SL-3	12-10	14S-2	14S-5	14S-6
CONTACT SIZE & QUANTITY:	2 - #16	3 - #16	10 - #20	4 - #16	5 - #16	6 - #16
MS SERVICE RATING:	A	A	INST	INST	INST	INST



INSERT ARRANGEMENT:	18-1	20-29	24-11	28-21
CONTACT SIZE & QUANTITY:	10 - #16	17 - #16	6 - #12, 3 - #8	37 - #16
MS SERVICE RATING:	4A 6 INST	A	A	A

NOTES:

1. ASSEMBLY IDENTIFIED WITH MANUFACTURER'S NAME AND P/N, SPACE PERMITTING.
2. WHEN CABLE DIAMETER EXCEEDS 'MAX DASH NO' IN TABLE I, STYLE II WILL BE SUPPLIED.
3. GLENAIR 257-003 CONNECTOR FEATURES:
 - A. BARREL & REAR ACCESSORY HARDWARE: PASSIVATED STAINLESS STEEL
 - B. COUPLING NUT: NICKEL/ALUMINUM/BRONZE
 - C. INSULATOR, O-RING, GROMMET: NITRILE/NEOPRENE
 - D. GROMMET FOLLOWER: NYLON
 - E. CONTACTS: GOLD PLATED COPPER ALLOY WITH SOLDER POTS
 - F. CONTACT CURRENT RATING: #20-5 AMPS, #16-10 AMPS, #12-17 AMPS, #8-35 AMPS
 - G. RATED OPERATING VOLTAGE: SERVICE RATING INST - 250 VDC
SERVICE RATING A - 700 VDC
 - H. DIELECTRIC W/STANDING VOLTAGE (HI-POT): SERVICE RATING INST - 1000 VRMS
A - 2000 VRMS
 - J. INSULATION RESISTANCE: 5000 MEGOHMS MINIMUM AT 500 VDC AND +25°C
 - K. TEMPERATURE RANGE: -55°C TO +125°C