

# SERIES 928 • QUARTER-TURN • BAYONET Connectors for HMI Lighting



## 928-006 Panel Plug, Front Mount



### Features

- ¼ turn bayonet lock for secure attachment
- Intermateable, interchangeable with "VEAM" type connectors
- Machined contacts
- Durable polymer electrocoat finish
- UL #E328968 recognized
- IP67 ingress protection

### Specifications

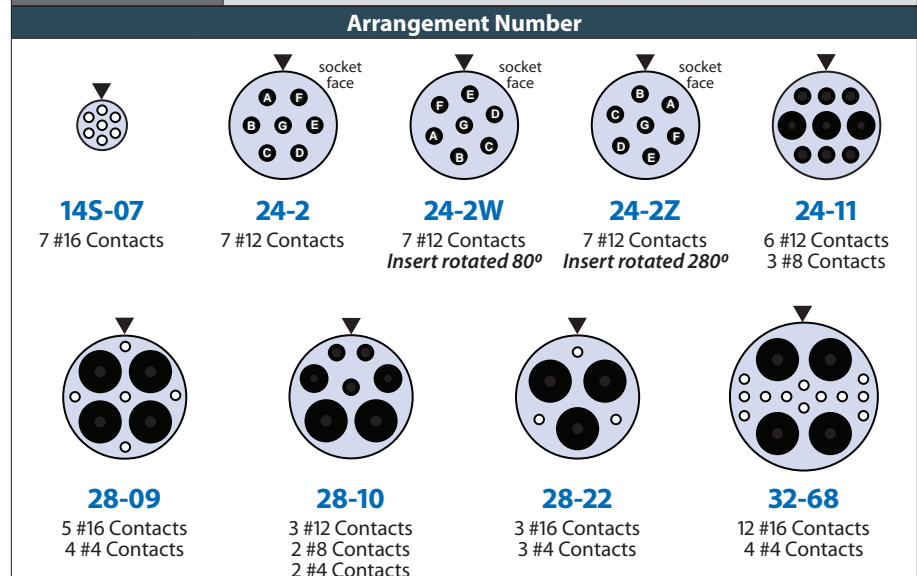
- Operating temperature: -55°C. to +125°C.
- Suggested maximum operating voltage: 500 Vac
- Current rating: size #4 contact 80 A, size #8 46 A, size #12 23 A, size #16 13 A
- Meets mechanical, electrical and environmental requirements of MIL-DTL-5015 and VG95234

### Connector Construction

- Shell and coupling ring: aluminum with black polymer electrocoat
- Contacts: copper alloy, silver or gold plating
- Insert: neoprene

928-006 male panel connectors are compatible with standard "VEAM" type quarter-turn bayonet connectors used on HMI lighting ballasts and heads. These UL-recognized connectors fit standard cutouts. Connector mounting flange installs on the outside (front) of the panel. Aluminum shell, neoprene inserts, machined copper alloy contacts with gold or silver plating. 125° C. temperature rating, 500Vac, 13 A to 80 A current rating depending on contact size. Crimp or solder termination.

How To Order						
	928-006-	24-2	P	S	1	A
Product	928-006 = Panel Plug, front mounting					
Arrangement Number	14S-07 24-2 24-2W 24-2Z 24-11 28-09 28-10 28-22 32-68					
Contact Type	P = Pin contacts (male) S = Socket contacts (female)					
Contact Termination Style	S = Solder (installed) C = Crimp (uninstalled)					
Contact Finish	1 = Silver (standard) 2 = Gold (optional)					
Shell Finish	A = Black polymer electrocoat					

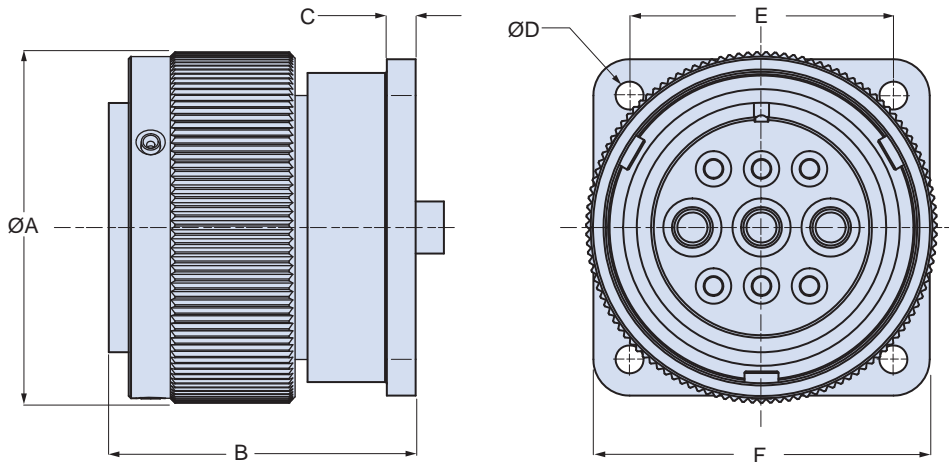


SERIES 928 • QUARTER-TURN • BAYONET  
**Connectors for HMI Lighting**



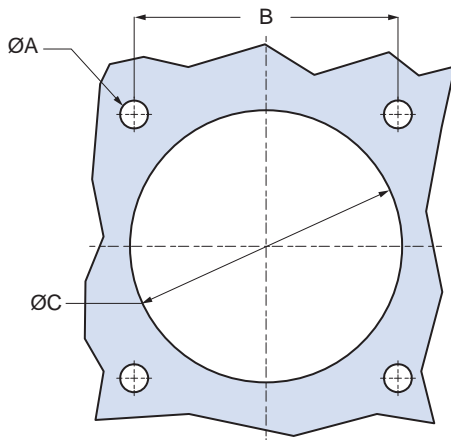
928-006 Panel Plug, Front Mount

**DIMENSIONS**



Arrangement No.	ØA Max.		B Max.		C		ØD		E		F Max.	
	In.	mm.	In.	mm.	In.	mm.	In.	mm.	In.	mm.	In.	mm.
14S-07	1.24	31.5	1.08	27.4	.13	3.3	.13	3.3	.97	24.6	1.28	32.5
24-2	1.83	46.5	1.60	40.6	.15	3.8	.15	3.8	1.37	34.8	1.75	44.5
24-2W	1.83	46.5	1.60	40.6	.15	3.8	.15	3.8	1.37	34.8	1.75	44.5
24-2Z	1.83	46.5	1.60	40.6	.15	3.8	.15	3.8	1.37	34.8	1.75	44.5
24-11	1.83	46.5	1.60	40.6	.15	3.8	.15	3.8	1.37	34.8	1.75	44.5
28-09	2.08	52.8	1.60	40.6	.16	4.1	.15	3.8	1.56	39.6	2.00	50.8
28-10	2.08	52.8	1.60	40.6	.16	4.1	.15	3.8	1.56	39.6	2.00	50.8
28-22	2.08	52.8	1.60	40.6	.16	4.1	.15	3.8	1.56	39.6	2.00	50.8
32-68	2.36	60.0	1.65	41.9	.16	4.1	.17	4.3	1.75	44.5	2.24	56.9

**PANEL CUTOUT**



Arrangement No.	ØA		B		ØC	
	In.	mm.	In.	mm.	In.	mm.
14S-07	.13	3.4	.97	24.6	.91	23.0
24-2	.15	3.9	1.37	34.8	1.42	36.0
24-2W	.15	3.9	1.37	34.8	1.42	36.0
24-2Z	.15	3.9	1.37	34.8	1.42	36.0
24-11	.15	3.9	1.37	34.8	1.42	36.0
28-09	.15	3.9	1.56	39.6	1.65	42.0
28-10	.15	3.9	1.56	39.6	1.65	42.0
28-22	.15	3.9	1.56	39.6	1.65	42.0
32-68	.18	4.5	1.75	44.5	1.90	48.5