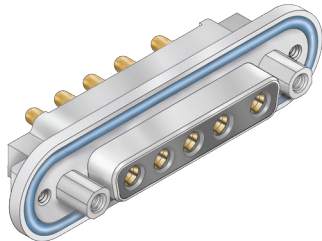


280-051S straight PC tail combo socket connectors with O-ring flange for rear panel mounting



The HiPer-D® is a high performance version of the M24308-type D-Subminiature connector. HiPer-D® connectors feature improved EMI performance and environmental sealing and “closed entry” contact cavity for improved contact protection. Factory-installed PC tail contacts, integral board standoffs and threaded holes for attaching to circuit board. Gold-plated copper alloy contacts, one-piece machined aluminum shell, glass-reinforced thermoset epoxy insulator, epoxy potting compound, fluorosilicone O-ring. 1000 VAC, 7.5 Amps (#20), up to 40 Amps with size #8 power contacts.

How To Order					
Sample Part Number	280-051S	3-13P3	ME	N	A
Basic Part Number	280-051S				
Shell Size-Contact Arrangement	See Shell Size - Contact Arrangements Table				
Shell Finish	ME = Electroless Nickel JF = Cadmium with Yellow Chromate Z1 = Passivated Stainless Steel	MT = Nickel-PTFE Z2 = Gold			
Mating Hardware	N = No Hardware G = Male Guide Pins	P = #4-40 Female Jackposts B = Female Guide Bushings			
PC Tail Length	A = .125 (3.18) Tail Length	B = .250 (6.35) Tail Length			

Shell Size-Contact Arr.	Contact Size and Qty	
	#20	#8
1-2P2		2
1-5P1	4	1
2-3P3		3
2-7P2	5	2
2-11P1	10	1
3-5P5		5
3-9P4	5	4
3-13P3	10	3
3-17P2	15	2
3-21P1	20	1
4-8P8		8
4-13P6	7	6
4-17P5	12	5
4-21PA4	17	4
4-25P3	22	3
4-27P2	25	2
5-24P7	17	7
5-36P4	32	4
5-43P2	41	2
5-47P1	46	1

Mating Hardware	
<p>N No Hardware #8-32 tapped hole</p>	<p>P Female Jackposts #4-40, Non-removable</p>
<p>B Female Guide Bushings Non-removable</p>	<p>G Male Guide Pins Non-removable</p>

Specifications	
Current Rating	#20 7.5 AMPS, #8 40 AMPS
Test Voltage	1000 VAC RMS
Insulation Resistance	5000 megohms minimum
Operating Temperature	-65° C. to +200° C.
Ingress Protection	IP 67
Shock	300 g.
Vibration, Random	43.92 g.

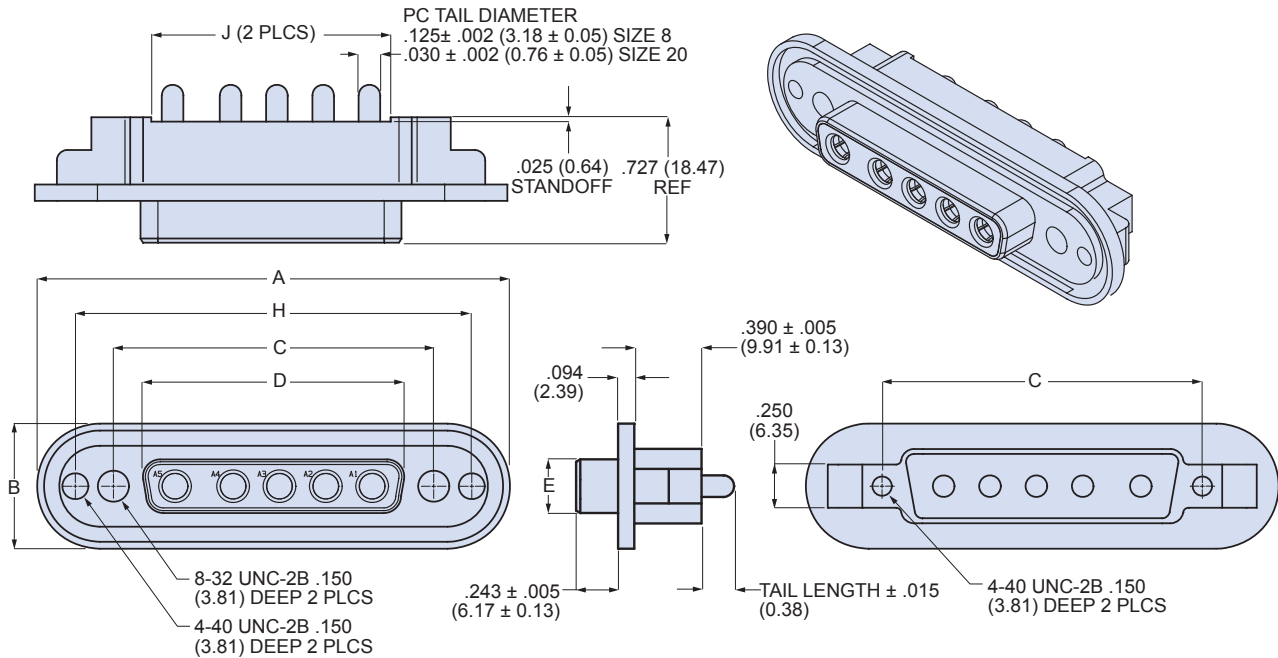
Materials and Finishes	
Shell	Aluminum alloy
Contacts	Copper alloy, 50 microinches gold
Insulator	Thermoset epoxy
O-ring	Fluorosilicone rubber
Potting Compound	Epoxy
Hardware	300 series stainless steel

SERIES 28 HiPer-D® Combo Connectors



280-051S straight PC tail combo socket connectors with O-ring flange for rear panel mounting

280-051S DIMENSIONS



Dimensions														
Shell Size	A		B		C Basic		D		E		H Basic		J	
	in ± .015	mm ± 0.38	in ± .015	mm ± 0.38	in.	mm	in ± .005	mm ± 0.13	in ± .005	mm ± 0.13	in	mm	in	mm
1	1.865	47.37	.725	18.42	.984	24.99	.643	16.33	.311	7.90	1.424	36.17	.520	13.21
2	2.200	55.88	.725	18.42	1.312	33.32	.971	24.66	.311	7.90	1.752	44.50	.844	21.44
3	2.736	69.49	.725	18.42	1.852	47.04	1.511	38.38	.311	7.90	2.292	58.22	1.386	35.20
4	3.385	85.98	.725	18.42	2.500	63.50	2.159	54.84	.311	7.90	2.940	74.68	2.034	51.66
5	3.289	83.54	.837	21.26	2.406	61.11	2.064	52.43	.423	10.74	2.846	72.29	1.987	50.47

NOTES

1. Contacts are factory-installed, non-removable and are potted with epoxy.
2. HiPer-D® connectors are available with a wide variety of materials and finishes. See [About Series 28 HiPer-D® Shell Plating Options](#) for additional choices. Glenair offers the industry's widest selection of plating and material choices with no setup charge, no minimum order quantity and no schedule impact.
3. For panel cutout dimensions, refer to [Panel Cutouts and Printed Circuit Board Footprints](#).
4. For printed circuit board mounting dimensions, refer to [Panel Cutouts and Printed Circuit Board Footprints](#).
5. Combo HiPer-D® connectors meet the applicable requirements of MIL-DTL-24308 and are interchangeable with standard M24308-type D-Subminiature combo connectors with corresponding contact arrangements and type.
6. Additional electrical, mechanical and environmental specifications are listed in [HiPer-D® Product Specification](#).