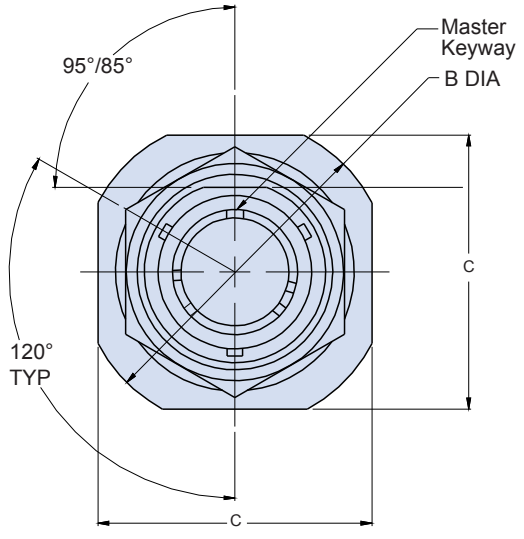
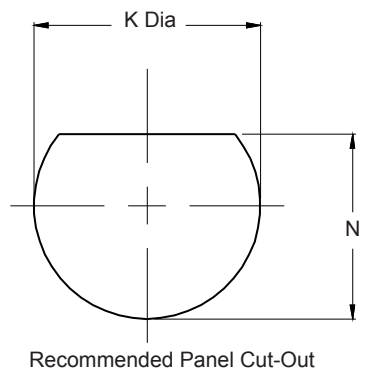
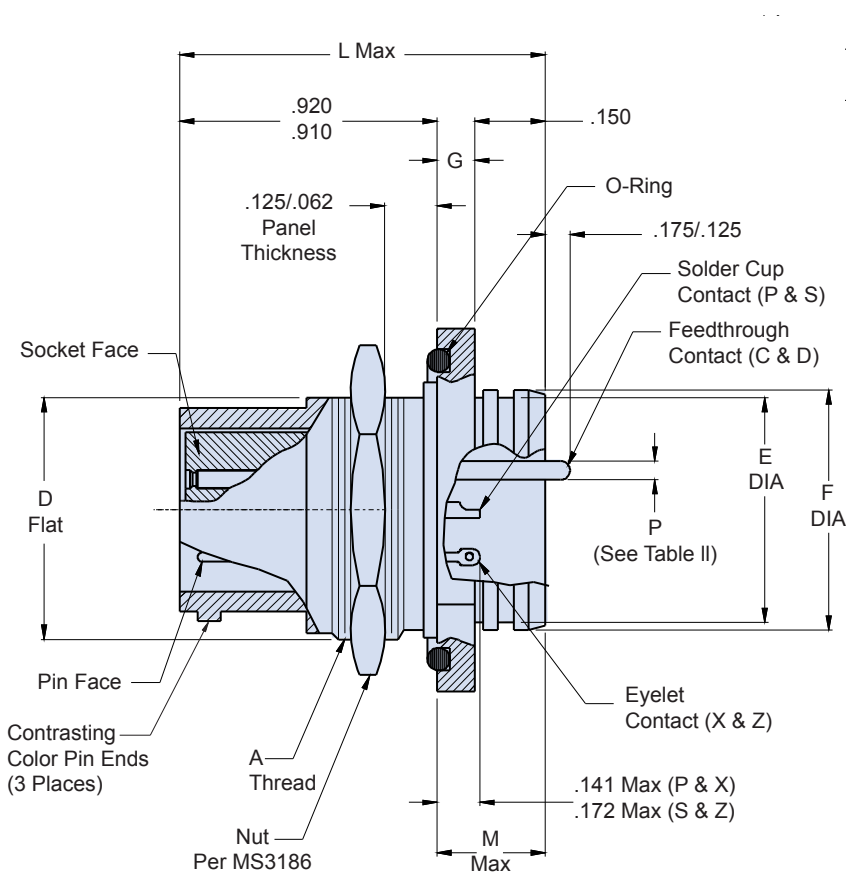
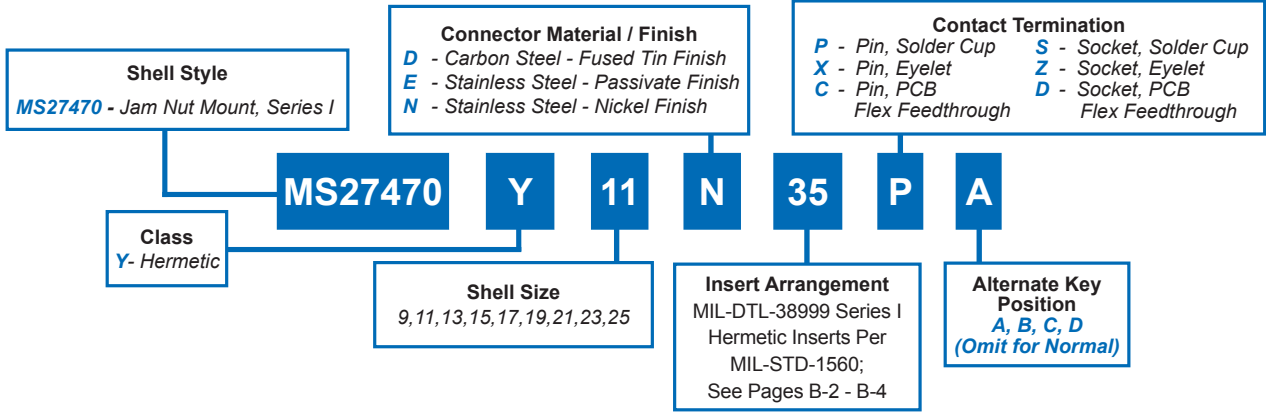




# MS27470 Jam Nut Mount Hermetic Receptacle MIL-DTL-38999 Series I

## How To Order: MS

B



Dimensions in Inches (millimeters) are subject to change without notice.

© 2013 Glenair, Inc. U.S. CAGE Code 06324 Printed in U.S.A.

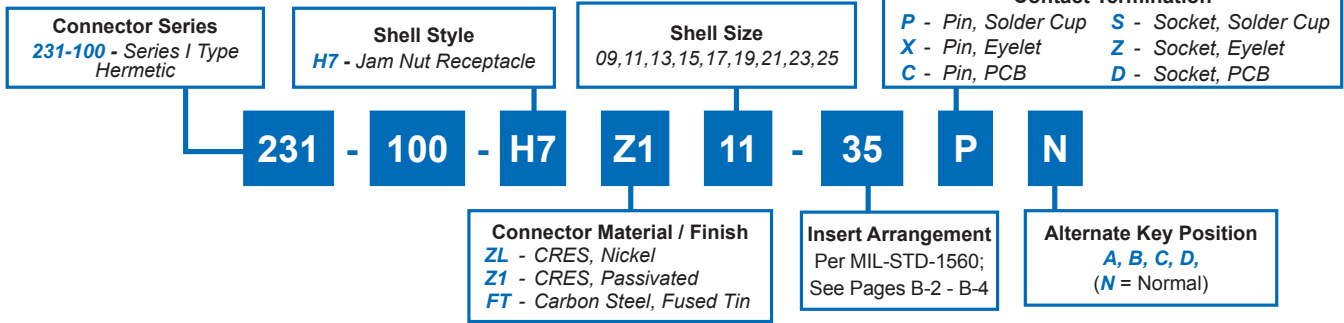
**GLENAIR, INC. • 1211 AIR WAY • GLENDALE, CA 91201-2497 • 818-247-6000 • FAX 818-500-9912**  
**www.glenair.com** **B-18** **E-Mail: sales@glenair.com**

**231-100-H7**  
**Jam Nut Mount Hermetic Receptacle**  
**MIL-DTL-38999 Series I Type**



MIL-DTL-38999 Type  
 Hermetic Connectors

**How To Order: Commercial**



**TABLE I: CONNECTOR DIMENSIONS**

SHELL SIZE	A THREAD CLASS 2A	B DIA ±.016(0.4)	C ±.016(0.4)	D FLAT ±.005(0.1)	E DIA ±.011(0.3)	F DIA ±.005(0.1)
9	.6875-24 UNEF	1.188(30.2)	1.062(27.0)	.65(16.5)	.602(15.3)	.648(16.5)
11	.8125-20 UNEF	1.375(34.9)	1.25(31.8)	.75(19.1)	.726(18.4)	.772(19.6)
13	1.000-20 UNEF	1.5(38.1)	1.375(34.9)	.937(23.8)	.852(21.6)	.898(22.8)
15	1.125-18 UNEF	1.625(41.3)	1.5(38.1)	1.061(26.9)	.978(24.8)	1.024(26.0)
17	1.250-18 UNEF	1.75(44.5)	1.625(41.3)	1.186(30.1)	1.102(28.0)	1.148(29.2)
19	1.375-18 UNEF	1.938(49.2)	1.812(46.0)	1.311(33.3)	1.228(31.2)	1.274(32.4)
21	1.500-18 UNEF	2.062(52.4)	1.938(49.2)	1.436(36.5)	1.352(34.3)	1.398(35.5)
23	1.625-18 UNEF	2.188(55.6)	2.062(52.4)	1.561(39.6)	1.478(37.5)	1.524(38.7)
25	1.750-18 UNS	2.312(58.7)	2.188(55.6)	1.686(42.8)	1.602(40.7)	1.648(41.9)

**TABLE I (CONTINUED): CONNECTOR DIMENSIONS**

SHELL SIZE	G ±.016(0.4)	K DIA ±.005 (0.1)	L MAX	M MAX	N ± .004 (0.1)
9	.109 (2.8)	.698 (17.7)	1.200 (30.5)	.280 (7.1)	.657 (16.7) +.004(.1)/-.002(.1)
11	.109 (2.8)	.830 (21.1)	1.200 (30.5)	.280 (7.1)	.765 (19.43)
13	.109 (2.8)	1.015 (25.8)	1.200 (30.5)	.280 (7.1)	.949 (24.10)
15	.109 (2.8)	1.140 (29.0)	1.200 (30.5)	.280 (7.1)	1.079 (27.41)
17	.109 (2.8)	1.265 (32.1)	1.200 (30.5)	.280 (7.1)	1.204 (30.58)
19	.140 (3.6)	1.390 (35.3)	1.231 (31.3)	.311 (7.9)	1.329 (33.76)
21	.140 (3.6)	1.515 (38.5)	1.231 (31.3)	.311 (7.9)	1.454 (36.93)
23	.140 (3.6)	1.640 (41.7)	1.231 (31.3)	.311 (7.9)	1.579 (40.11)
25	.140 (3.6)	1.765 (44.8)	1.231 (31.3)	.311 (7.9)	1.704 (43.28)

**TABLE II: CONTACT SIZE**

PRINTED CIRCUIT TAIL CONFIGURATIONS CONTACT STYLE C AND D

Contact Size	ø P
22D	.011 (0.28) .015 (0.38)
20	.024 (0.61) .028 (0.71)
16	.0635 (1.61) .0615 (1.56)
12	.095 (2.41) .093 (2.36)

**HERMETIC LEAK RATE MOD CODES**

Designator	Required Leak Rate
-585A	1 x 10 <sup>-10</sup> cc Helium per second
-585B	1 x 10 <sup>-9</sup> cc Helium per second
-585C	1 x 10 <sup>-8</sup> cc Helium per second

**WIRE ACCOMODATION**

Contact Size	Wire Gauge
22D	#22 - #28
20	#20 - #24
16	#16 - #20
12	#12 - #14

Dimensions in Inches (millimeters) are subject to change without notice.