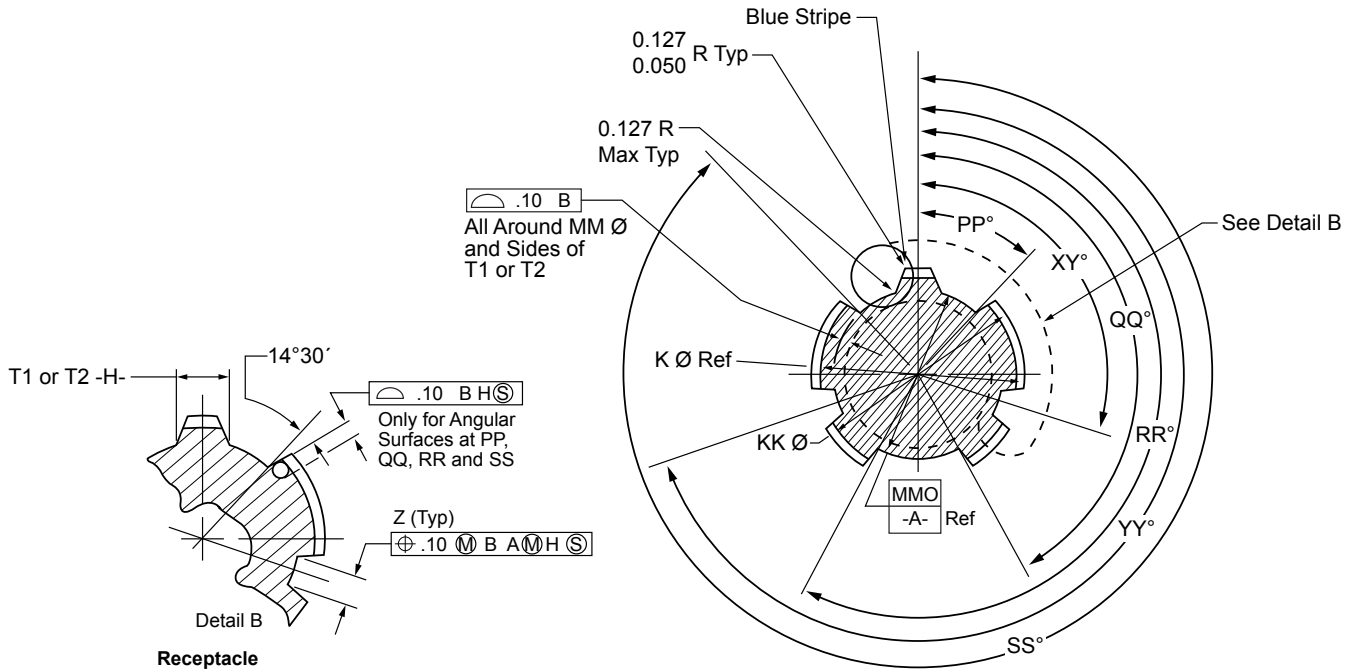




MIL-DTL-38999 Series IV  
Alternate Keyway Positions

B



SERIES IV ALTERNATE KEY POLARIZATION

Shell Size Code	Receptacle Main Key and Keyway Polarization								Main Key BSC	
	Shell Size	MM Dia BSC	PP°	QQ°	RR°	SS°	Z	Z <sup>2</sup>	Socket Contact T1	Pin Contact T2
B	11	13.09	44°28'	151°6'	208°54'	315°32'	1.83	2.46	1.90	2.78
C	13	16.51	44°25'	150°31'	209°29'	315°35'	1.52	2.16	1.94	2.85
D	15	19.69	44°33'	150°24'	209°36'	315°27'	2.34	3.23	2.43	3.36
E	17	22.89	44°36'	150°22'	209°38'	315°24'	2.03	2.92	2.45	3.40
F	19	25.79	44°33'	150°27'	209°33'	315°27'	2.85	3.99	2.96	3.91
G	21	28.96	44°34'	150°23'	209°37'	315°26'	2.54	3.68	2.99	3.94
H	23	32.14	44°34'	150°20'	209°40'	315°26'	3.35	4.75	3.50	4.46
J	25	35.31	44°42'	150°22'	209°388'	315°18'	3.04	4.45	3.53	4.49

Dimensions are in Millimeters

SERIES IV ALTERNATE KEY POLARIZATION

	N	A	B	C	D	K	L	M	R	U
X° XX°	110°	100°	90°	80°	70°	120°	120°	120°	120°	0°
Y° YY°	250°	260°	270°	280°	290°	255°	265°	275°	285°	0°

Dimensions in Inches (millimeters) are subject to change without notice.