



233-309

Hermetic RJ45 Feed-thru with Crimp Contact Termination MIL-DTL-38999 Series III Type

B

| Material and Finish | |
|---------------------|--|
| Z1 | Stainless Steel/Passivate |
| ZL | Stainless Steel/Electro-deposited Nickel |

| Connector Style ¹ | |
|------------------------------|---|
| 00 | Wall mount feed-thru with slotted hole ² |
| 07 | Jam nut, rear panel mount feed-thru |
| DO | Wall mount feed-thru with round holes |
| CM | Wall mount feed-thru with metric clinch nuts |

NOTES

- See Section A for alternate key/keyway positions and panel cutout dimensions
- front panel mount only
- Meets IP67 in unmated condition, IP68 mated
- Connector and contacts shall meet general requirements of MIL-DTL-38999, Series III. RJ45 connector meets tia 568B standard.
- RJ45 Jack Specifications:
Shielded Cat5e RJ45 (grounded to PC board)
wiring: straight through
rohs compliant
electrical: current rating: 1.5 Amp
D.W.V.: 1000 VDC (700 VAC)
operating temperature range:
-40°C to +120°C (high temp)
Performance test criteria
- Hermeticity: 1×10^{-7} sccHe/sec @ 1 atmosphere differential
- Material/finishes:
Shell, jam nut: 300 series CRES / passivate or plate
Insulator, hermetic: glass
Insulators: high grade rigid dielectric
Contacts: copper alloy/gold plate.
Seals: fluorosilicone
- RJ45 coupler housing: ULV94V-0 compliant ABS or PPS

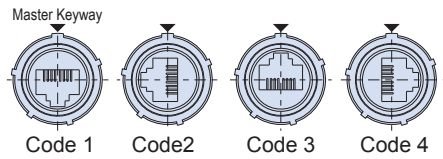
| Part Number Development | | | | | | | | |
|-------------------------------------|---|----|----|---|----|----|---|---|
| Sample Part Number | 233-309 | Z1 | 00 | - | 17 | 5H | N | 1 |
| Basic Number | 233-309 | | | | | | | |
| Finish | See Material and Finish table | | | | | | | |
| Connector Style ¹ | See Connector Style table | | | | | | | |
| Shielding | "- " = Inline shielded RJ45 "G" = Inline shielded and grounded to the shells | | | | | | | |
| Shell Size | 17 and 19 | | | | | | | |
| RJ45 Category | 5H = CAT 5e | | | | | | | |
| Alternate Key Position ¹ | Per MIL-DTL-38999 A, B, C, D, E, N = Normal | | | | | | | |
| RJ45 Orientation | 1, 2, 3, or 4 | | | | | | | |

Modification codes may be added directly to the end of any valid part number

| Jam Nut Dimensions | | | | | | | | |
|--------------------|-------|-------|-------|-------|--------|-------|------|------|
| Shell Size | Ø K | | L | | M Flat | | R | |
| | in | mm | in | mm | in | mm | in | mm |
| 17 | 1.764 | 44.81 | 1.642 | 41.71 | 1.191 | 30.25 | .122 | 3.10 |
| | 1.740 | 44.20 | 1.610 | 40.89 | 1.181 | 30.00 | .083 | 2.11 |
| 19 | 1.949 | 49.50 | 1.827 | 46.41 | 1.316 | 33.43 | .153 | 3.89 |
| | 1.925 | 48.90 | 1.795 | 45.59 | 1.306 | 33.17 | .114 | 2.90 |

| Wall Mount Receptacle Dimensions | | | | | | | | | | | | |
|----------------------------------|-------|-------|-------|-------|--------------------|-------|------|------|------|------|-----------|------|
| Shell Size | B Sq | | C Bsc | | D Bsc ² | | E | | F | | Ø H Holes | |
| | In | mm | In | mm | In | mm | In | mm | In | mm | In | mm |
| 17 | 1.323 | 33.60 | 1.062 | 26.97 | .969 | 24.61 | .136 | 3.45 | .202 | 5.13 | 0.136 | 3.45 |
| | 1.299 | 32.99 | | | | | | | | | | |
| 19 | 1.449 | 36.80 | 1.156 | 29.36 | 1.062 | 26.97 | .120 | 3.05 | .186 | 4.72 | 0.120 | 3.05 |
| | 1.425 | 36.20 | | | | | | | | | | |

RJ45 Orientation Options (Receptacle Face)



All external dimensions, features, etc. compliant with D38999/20, /24, &/26. Consult factory for additional information.

| Jam Nut and Wall Mount Thread Dimensions | | | |
|--|----------------------|---------------------|-------------------------|
| Shell Size | A Thread | G Thread | N Thread (Jam-Nut Only) |
| 17 | 1.1875-.1P-.3L-TS-2A | M25 x 1.0-6g 0.100R | M32 x 1.0-6g 0.100R |
| 19 | 1.2500-.1P-.3L-TS-2A | M28x 1.0-6g 0.100R | M35 x 1.0-6g 0.100R |

| Jam Nut Dimensions | | | | | |
|--------------------|---------------|---------------|---------------|-------------|---------------|
| Shell Size | Ø K | L | M Flat | R | Ø S |
| 17 | 1.764 (44.81) | 1.642 (41.71) | 1.191 (30.25) | .122 (3.10) | 1.275 (32.39) |
| | 1.740 (44.20) | 1.610 (40.89) | 1.181 (30.00) | .083 (2.11) | |
| 19 | 1.949 (49.50) | 1.827 (46.41) | 1.316 (33.43) | .153 (3.89) | 1.337 (33.96) |
| | 1.925 (48.90) | 1.795 (45.59) | 1.306 (33.17) | .114 (2.90) | |

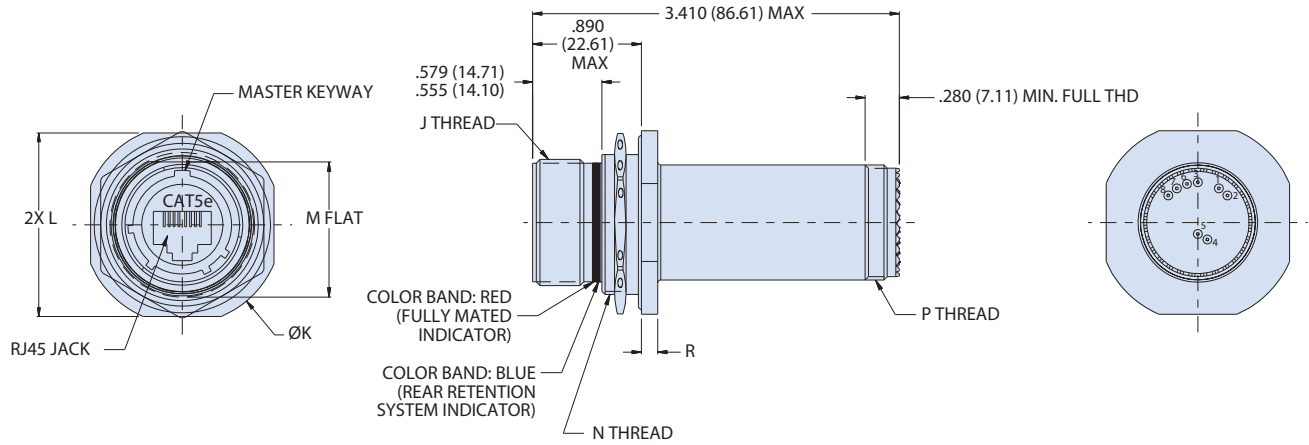
| Wall Mount Dimensions | | | | | | |
|-----------------------|---------------|---------------|---------------|-------------|-------------|-------------|
| Shell Size | B Sq | C BSC | D BSC | E | F | Ø H Holes |
| 17 | 1.323 (33.60) | 1.062 (26.97) | .969 (24.61) | .136 (3.45) | .202 (5.13) | .136 (3.45) |
| | 1.299 (32.99) | | | | | |
| 19 | 1.449 (36.80) | 1.156 (29.36) | 1.062 (26.97) | .120 (3.05) | .186 (4.72) | .120 (3.05) |
| | 1.425 (36.20) | | | | | |

Dimensions in Inches (millimeters) are subject to change without notice.

233-309
Hermetic RJ45 Feed-thru with Crimp Contact Termination
 MIL-DTL-38999 Series III Type



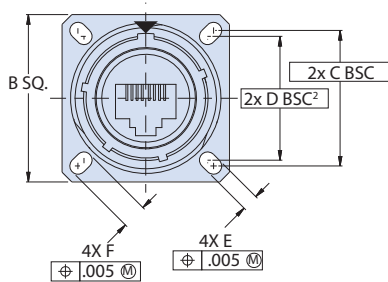
07 - REAR PANEL MOUNT, JAM NUT FEED-THROUGH CONNECTORS



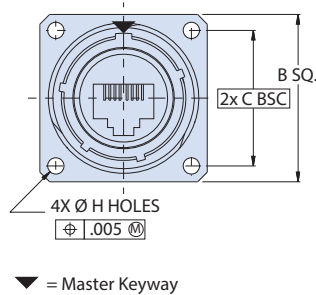
B

00, DO AND CM - WALL MOUNT FEED-THRU CONNECTORS

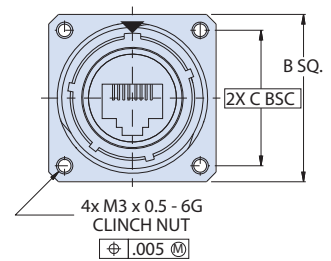
00 - Wall Mount Receptacle with Slotted Holes (Mating Face)



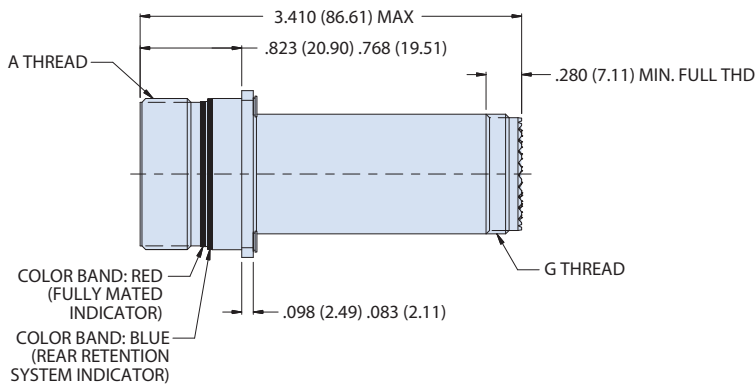
D0 - Wall Mount Receptacle With Round Holes (Mating Face)



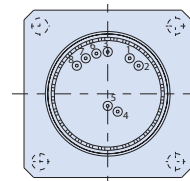
CM - Wall Mount Receptacle With Metric Clinch Nuts (Mating Face)



00, D0, CM - Wall Mount Receptacle



D0 - Wall Mount Receptacle Shown for Contact Termination Positions Only



Dimensions in Inches (millimeters) are subject to change without notice.