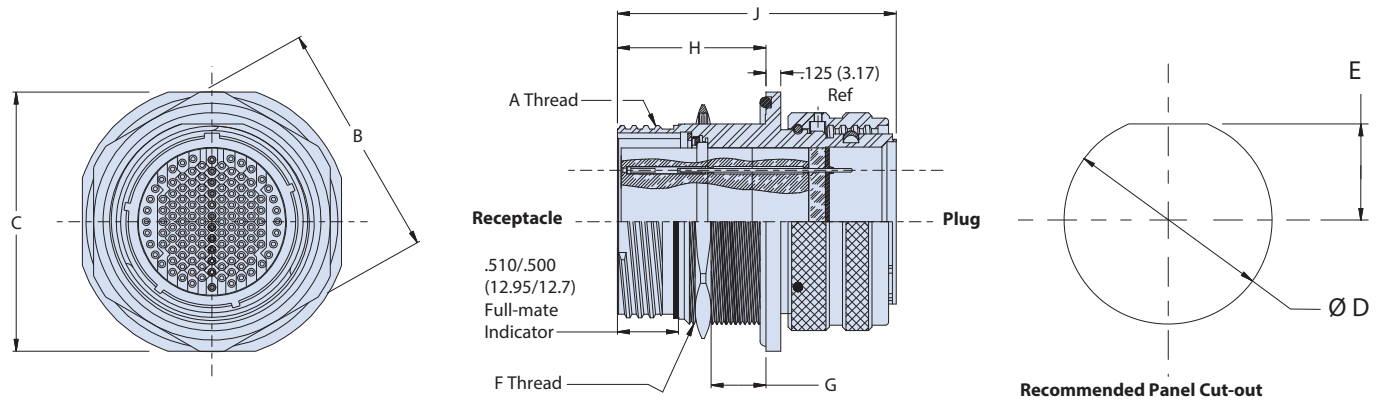


**MIL-DTL-38999 Series III Type
233-103 Bulkhead SAV-CON feed-thru**

233-103-H9 JAM-NUT MOUNT GENDER CHANGER



HERMETIC CONNECTORS

Dimensions						
SHELL SIZE	A THREAD	B MAX	C DIM MAX	D DIA	E	F THREAD
9	.6250 0.1 P-0.3L-TS-2	.945(24.0)	1.09 (27.7)	0.703 (17.9) 0.693 (17.6)	0.661 (16.8) 0.653 (16.6)	M17X1-6G-0.100R
11	.7500 0.1 P-0.3L-TS-2	1.063(27.0)	1.28 (32.5)	0.835 (21.2) 0.825 (21.0)	0.771 (19.6) 0.761 (19.3)	M20X1-6G-0.100R
13	.8750 0.1 P-0.3L-TS-2	1.260(32.0)	1.40 (35.6)	1.020 (25.9) 1.010 (25.7)	0.955 (24.3) 0.945 (24.0)	M25X1-6G-0.100R
15	1.0000 0.1 P-0.3L-TS-2	1.417(36.0)	1.53 (38.9)	1.145 (29.1) 1.135 (28.8)	1.085 (27.6) 1.075 (27.3)	M28X1-6G-0.100R
17	1.1875 0.1 P-0.3L-TS-2	1.457(37.0)	1.66 (42.2)	1.270 (32.3) 1.260 (32.0)	1.210 (30.7) 1.200 (30.5)	M32X1-6G-0.100R
19	1.2500 0.1 P-0.3L-TS-2	1.614(41.0)	1.84 (46.7)	1.395 (35.4) 1.385 (35.2)	1.335 (33.9) 1.325 (33.7)	M35X1-6G-0.100R
21	1.3750 0.1 P-0.3L-TS-2	1.811(46.0)	1.97 (50.5)	1.520 (38.6) 1.510 (38.4)	1.460 (37.1) 1.450 (36.8)	M38X1-6G-0.100R
23	1.5000 0.1 P-0.3L-TS-2	1.968(50.0)	2.09 (53.1)	1.645 (41.8) 1.635 (41.5)	1.585 (40.3) 1.575 (40.0)	M41X1-6G-0.100R
25	1.6250 0.1 P-0.3L-TS-2	2.017(51.2)	2.21 (56.1)	1.770 (45.0) 1.760 (44.7)	1.710 (43.4) 1.700 (43.2)	M44X1-6G-0.100R

Panel Thickness			
DASH NO.	G	H MAX	J MAX
-01	.062 - .125 (1.6 - 3.2)	.890 (22.6)	2.000 (50.8)
-02	.062 - .250 (1.6 - 6.4)	1.150 (29.2)	2.225 (56.5)
-03	.062 - .500 (1.6 - 12.7)	1.400 (35.6)	2.450 (62.2)

Panel Thickness			
DASH NO.	G	H MAX	J MAX
-01	.062 - .125 (1.6 - 3.2)	.890 (22.6)	2.000 (50.8)
-02	.062 - .250 (1.6 - 6.4)	1.150 (29.2)	2.225 (56.5)
-03	.062 - .500 (1.6 - 12.7)	1.400 (35.6)	2.450 (62.2)

DWV Voltage Levels at Sea Level	
SERVICE RATING	VOLTAGE AC RMS 60HR
M	1300 VAC
I	1800 VAC
II	2300 VAC
N	1000 VAC