

257-003 Connector Receptacle Assembly Stainless Steel Harsh Environment UNEF Threads



How To Order									
Sample Part Number	257	-003	H	2	-14S	-5	P	W	M
Series No.	257								
Basic No.	-003								
Class	H = Hermetic - = Standard								
Connector Style	2 = Receptacle								
Shell Size	See Table I								
Insert Arrangement Dash No.	See page D-14								
Contact Style	P = Pin S = Socket (Non-Hermetic)								
Alternate Insert Position	See page D-14								
Molding Adapter	M = Molding Adapter Omit for none								

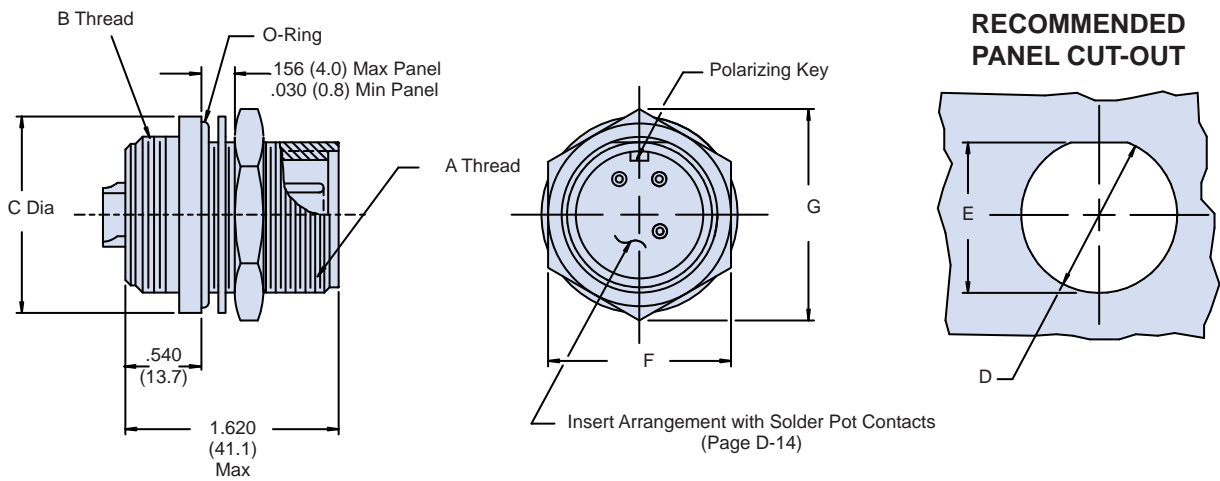


Table I							
Shell Size	A Thread Class 2A	B Thread Class 2A	C Max	D +.010 (0.3) -.000	E +.010 (0.3) -.000	F Max	G Max
10SL	5/8 - 24 UNEF	5/8 - 24 UNEF	1.030 (26.2)	.653 (16.6)	.585 (14.9)	.812 (20.6)	.940 (23.9)
12	3/4 - 20 UNEF	3/4 - 20 UNEF	1.160 (29.5)	.760 (19.3)	.710 (18.0)	.938 (23.8)	1.090 (27.7)
14S	7/8 - 20 UNEF	7/8 - 20 UNEF	1.280 (32.5)	.885 (22.5)	.835 (21.2)	1.125 (28.6)	1.250 (31.8)
18	1 1/8 - 18 UNEF	1 1/8 - 16 UN	1.660 (42.2)	1.135 (28.8)	1.085 (27.6)	1.500 (31.8)	1.690 (42.9)
20	1 1/4 - 18 UNEF	1 1/4 - 16 UN	1.780 (45.2)	1.260 (32.0)	1.210 (30.7)	1.625 (41.3)	1.820 (46.2)
24	1 1/2 - 18 UNEF	1 1/2 - 16 UN	2.030 (51.6)	1.510 (38.4)	1.460 (37.1)	1.875 (47.6)	2.120 (53.8)
28	1 3/4 - 18 UNEF	1 3/4 - 16 UN	2.280 (57.9)	1.760 (44.7)	1.710 (43.4)	2.125 (54.0)	2.420 (61.5)

Notes:

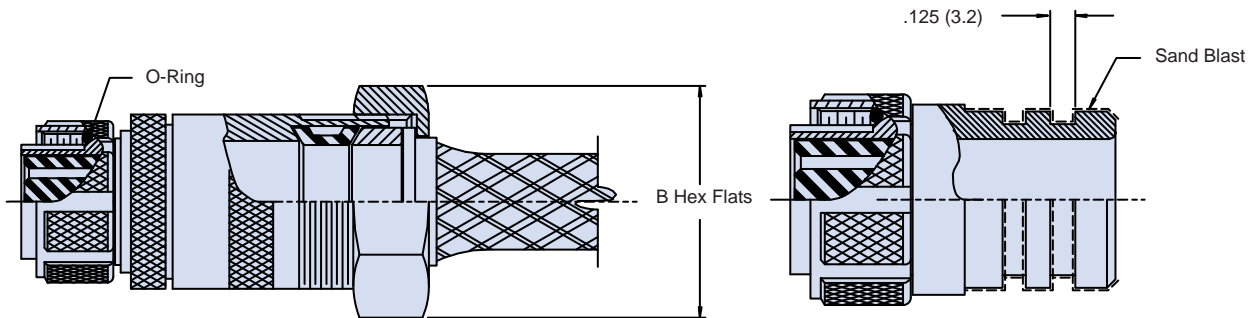
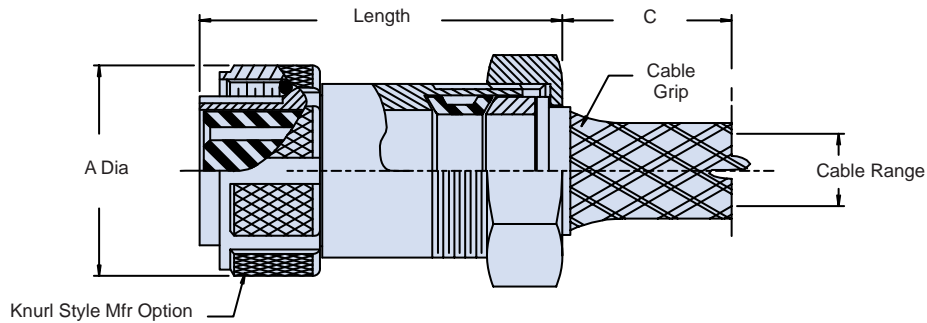
1. Metric dimensions (mm) are indicated in parentheses.
2. Electrical safety limits must be established by the user. Peak voltages, switching surges, etc., should be used to determine the safety of the application.



257-003 Connector Plug Assembly Stainless Steel Harsh Environment

How To Order	
Sample Part Number	257 -003 -6 -14S -5 P W M 08
Series No.	257
Basic No.	-003
Connector Style	6 = Plug
Shell Size	See Table I
Insert Arrangement Dash No.	See page D-14
Contact Style	P = Pin S = Socket (Non-Hermetic)
Alternate Insert Position	See page D-14
Molding Adapter	M = Molding Adapter N = No Adapter (Connector Only) Omit = Connector with Wire Mesh Cable Grip
Optional Entry	See Table II. Omit for Standard

STYLE I



STYLE II

STYLE M
MOLDING ADAPTER
OPTION

D

257-003
Connector Plug Assembly
Stainless Steel Harsh Environment



Table I							
Shell Size	A Max	B Flats	Standard Cable Range		Config Style	Max Cable Entry (Table II)	Length Max
			Min	Max			
10SL	1.031 (26.2)	1.000 (25.4)	.210 (5.3)	.312 (7.9)	I	04	3.000 (76.2)
12	1.125 (28.6)	1.380 (35.1)	.500 (12.7)	.625 (15.9)	II	08	3.000 (76.2)
14S	1.219 (31.0)	1.000 (25.4)	.210 (5.3)	.312 (7.9)	I	10	3.000 (76.2)
18	1.406 (35.7)	1.220 (31.0)	.310 (7.9)	.438 (11.1)	I	12	3.000 (76.2)
20	1.531 (38.9)	1.500 (38.1)	.530 (13.5)	.750 (19.1)	I	14	3.500 (88.9)
24	1.781 (45.2)	1.500 (38.1)	.530 (13.5)	.750 (19.1)	I	16	3.500 (88.9)
28	2.031 (51.6)	1.500 (38.1)	.530 (13.5)	.750 (19.1)	I	16	3.500 (88.9)

Table II			
Dash No.	C Ref	Cable Range	
		Min	Max
03	5.120 (130.0)	.180 (4.6)	.210 (5.3)
04	5.750 (146.1)	.210 (5.3)	.312 (7.9)
06	7.000 (177.8)	.310 (7.9)	.438 (11.1)
08	7.120 (180.8)	.438 (11.1)	.500 (12.7)
10	7.370 (184.3)	.500 (12.7)	.625 (15.9)
12	9.000 (228.6)	.530 (13.5)	.750 (19.1)
14	8.000 (203.2)	.750 (19.1)	.875 (22.2)
16	9.000 (228.6)	.875 (22.2)	1.000 (25.4)

Notes:

1. Metric dimensions (mm) are indicated in parentheses.
2. Electrical safety limits must be established by the user. Peak voltages, switching surges, etc., should be used to determine the safety of the application.