



# 227-015 High-Pressure Environmental Plug with Quick-Disconnect Lanyard

**MATES WITH SERIES 22**

How To Order						
Sample Part Number	227-015	-24	-128	P	N	6
Series No.	227-015					
Shell Size	-24					
Insert Arrangement	128 (See Note 3)					
Contact Style	P = Pin, S = Socket					
Alternate Key Position	N, 1, 2, 3 or 4					
Lanyard Length	In Inches; e.g. 6 = 6 inches					

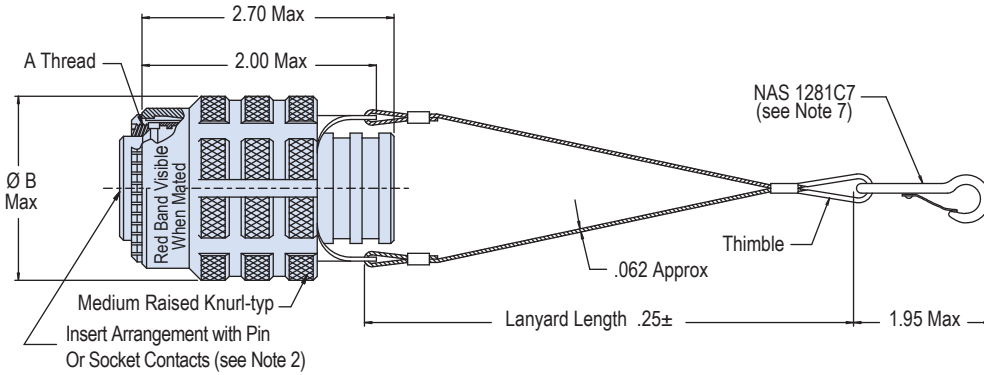


Table I: Dimensions		
Shell Size	A Thread	B Dia
10	.750-.1P-.1L	1.000 (25.40)
12	.875-.1P-.1L	1.125 (28.58)
14	1.000-.1P-.1L	1.250 (31.75)
16	1.125-.1P-.1L	1.375 (34.93)
18	1.250-.1P-.1L	1.594 (40.49)
20	1.375-.1P-.1L	1.719 (43.66)
22	1.500-.1P-.1L	1.894 (48.11)
24	1.625-.1P-.1L	1.969 (50.01)

**Notes:**

1. Assembly identified with manufactures name and P/N, space permitting.
2. 227-015 Connector is designed to mate with Glenair 220 series connector receptacles.
3. For available insert arrangement, see Glenair Geo-Marine® catalog or consult factory.
4. Performance capabilities:
  - Current rating: see Glenair Geo-Marine® catalog.
5. For cable or wire assemblies, consult factory.
6. Material/finish:
  - Coupling nut, adapter, barrel, lanyard ferrule, bushing, ring, coil spring, lanyard - stainless/passivate.
  - Contacts - copper alloy/gold plate
  - Inner sleeve - nickel aluminum bronze/degreased
  - Insulator - high grade rigid dielectric/N.A.
  - Retaining springs - phos. bronze/n.a.
  - Thimble - per NAS AN100C3
  - Hook - per NAS 1281C7
  - O-ring - nitrile/N.A.
  - Flat seal - fluorosilicone/N.A.
7. Snap hook will accept a diameter of .19 and is included in the open position

D