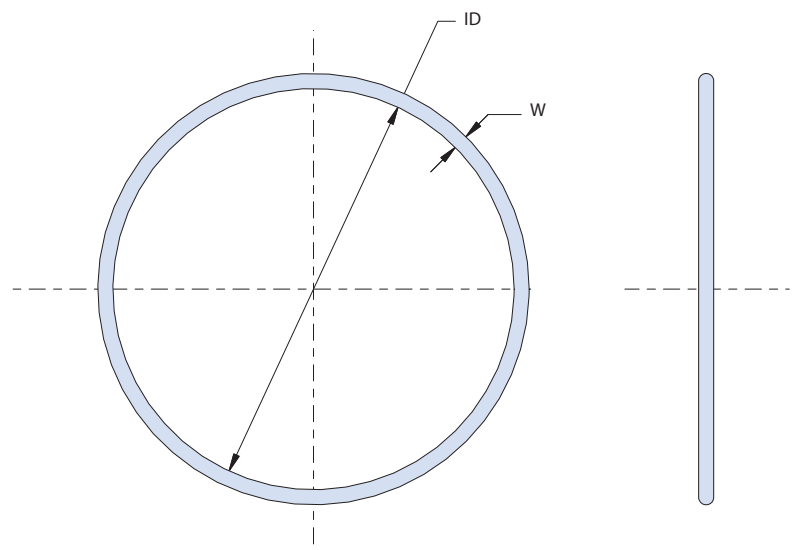


249-001
Conductive O-Ring
for D38999 Jam Nut Receptacles

CONDUCTIVE O-RING FOR D38999 JAM NUT RECEPTACLES

How To Order			
Sample Part Number	249-001	-09	-H
Conductive O-Ring	for D38999 Jam Nut Receptacles		
Dash No.	See Table I		
Material	See Table II		



Notes

1. Parts of the same dash number to be packaged in bulk and identified by bag and tag.
2. Kits to be packaged and identified with Glenair name plus part number in large print.

Dimensions in inches (millimeters) and are subject to change without notice.

249-001
Conductive O-Ring
for D38999 Jam Nut Receptacles



Table I: Dash No.

Dash Number	O-Ring ID x W
-09	.801 x .070
-11	.989 x .070
-13	1.114 x .070
-15	1.239 x .070
-17	1.364 x .070
-19	1.487 x .103
-21	1.612 x .103
-23	1.737 x .103
-25	1.862 x .103
-KIT	2 each of dash no. -09 thru -25

Table II: Material

Designator	Material
B	Silver Plated Aluminum Filled Silicone per MIL-DTL-83528, Type "B" (CHO-SEAL 1285 or equivalent)
C	Passivated Silver Plated Aluminum Filled Fluorosilicone per MIL-DTL-83528, Type "D" (CHO-SEAL 1298 or equivalent)
E	Nickel Coated Graphite Filled EPDM (CHO-SEAL 6307 or equivalent)
H	Silver Plated Copper Filled Silicone per MIL-DTL-83528, Type "A" (CHO-SEAL 1215 or equivalent)
S	Nickel Coated Graphite Filled Silicone (CHO SEAL S6305 or equivalent)
L	Nickel Coated Graphite Filled Fluorosilicone (CHO-SEAL L6303 or equivalent)
Y	Nickel Plated Aluminum Filled Fluorosilicone (CHO-SEAL 6503 or equivalent)

Dimensions in inches (millimeters) and are subject to change without notice.